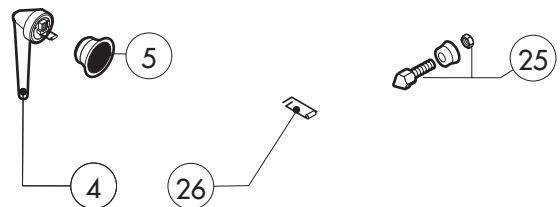
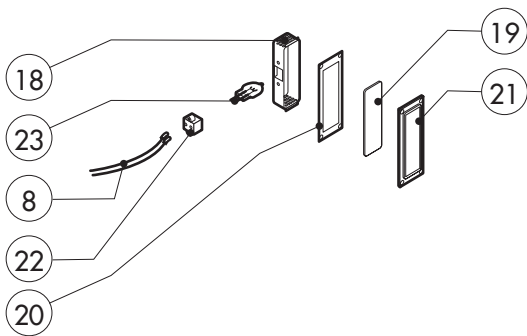
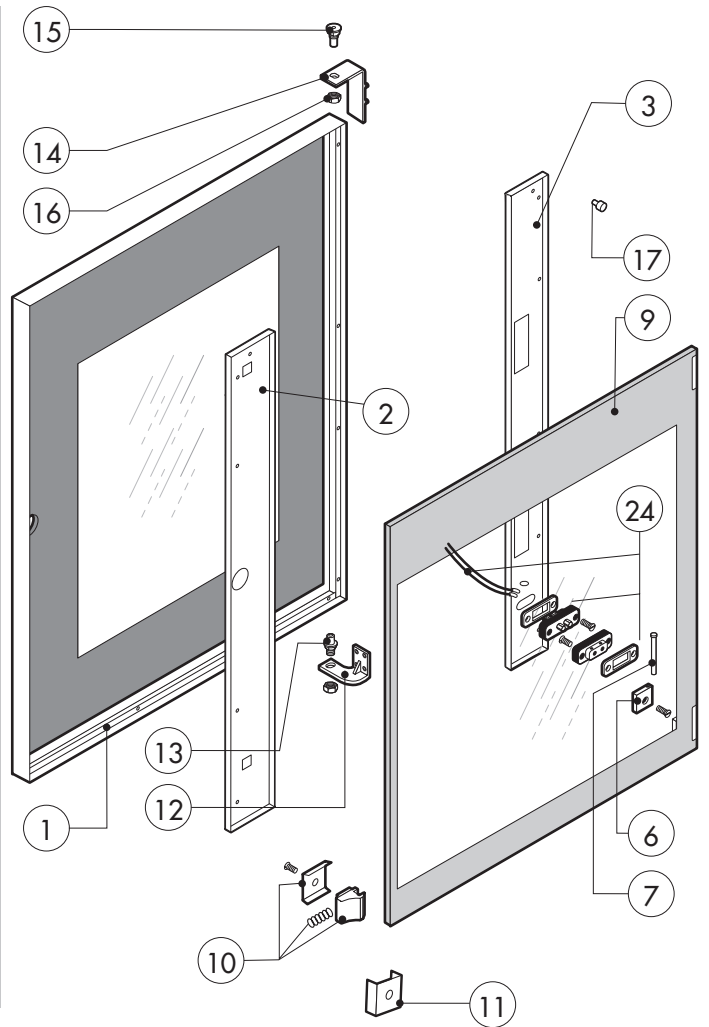
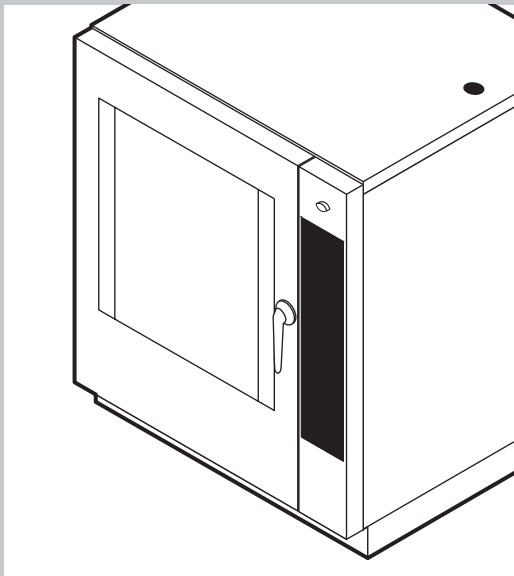


POS.	CODE	PIECES	DESCRIPTION
1	R18100361	1	DOOR ASSEMBLY
2	R18202840	1	CONTROL PANEL
3	R11200650	1	SPRITZER EXTENSION
4	R11202270	1	SPRITZER UNION
5	R18210351	1	COOKING CABINET ASSEMBLY
6	R18421230	1	FAN GUARD PANEL ASSEMBLY
7	R18420950	1	RIGHT SIDE PANEL
8	R18420980	1	REAR PANEL
9	R18420410	1	COVER PANEL
10	R58006400	4	FAN GUARD FASTENING SCREW
11	R70044820	1	FRONT GASKET
12	R18421370	1	REMOVABLE RACK DX
13	R18421380	1	REMOVABLE RACK SX
14	R18401040	1	LEFT SIDE PANEL

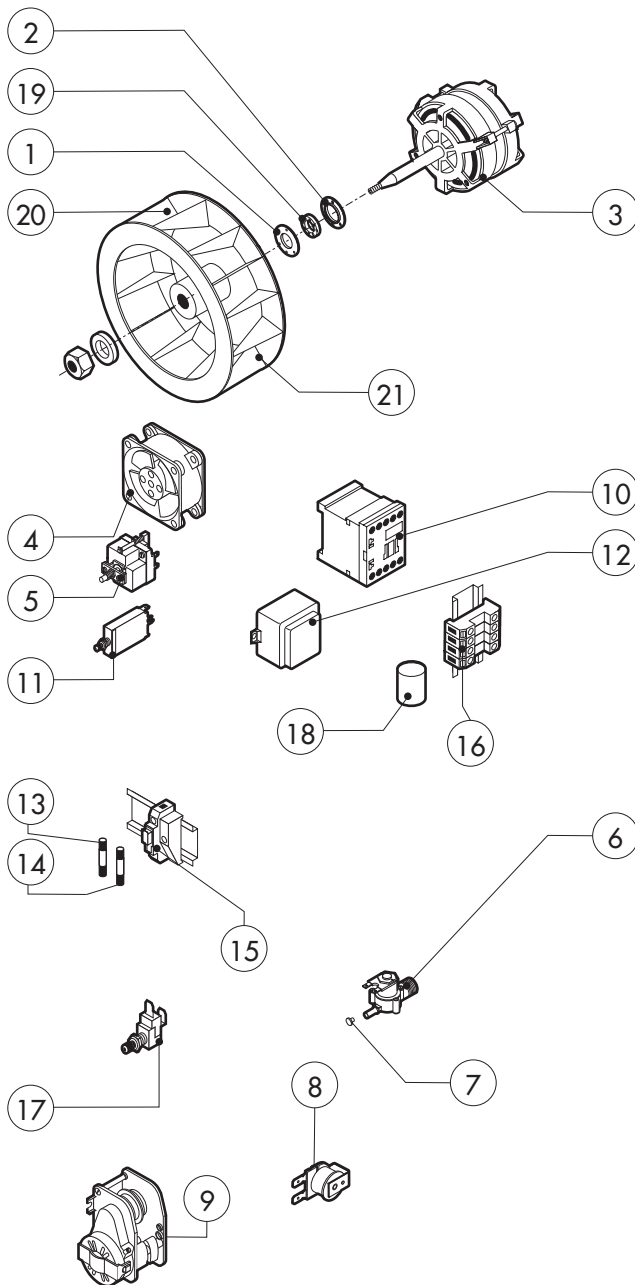
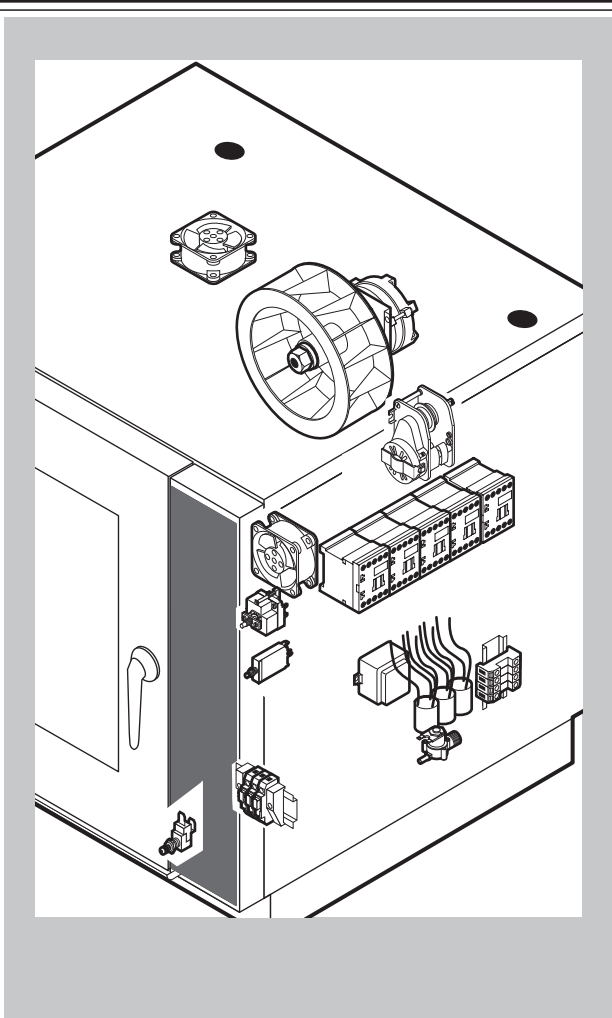
POS.	CODE	PIECES	DESCRIPTION

Serie New



POS.	CODE	PIECES	DESCRIPTION
1	R18202780	1	DOOR
2	R18420761	1	RIGHT DOOR POST
3	R18420771	1	LEFT DOOR POST
4	R69010210	1	DOORHANDLE
5	R69010630	1	DOORHANDLE COVER
6	R58001760	2	INNER GLASS SOLID HINGE
7	R58001770	2	INNER GLASS HINGE PIN
8	R66110320	1	DOOR LAMPS CABLE SET
9	R71201550	1	OUTER DOOR GLASS
10	R58001780	2	INNER GLASS CATCH KIT
11	R11401350	2	OUTER DOOR GLASS FLANGE
12	R18404500	1	LOWER DOOR HINGE
13	R58002520	1	LOWER HINGE PIN
14	R11401410	1	UPPER DOOR HINGE
15	R58002150	1	UPPER HINGE PIN
16	R58004050	2	NUT FOR UPPER DOOR HINGE
17	R70050100	6	GLASS SILICON SPACERS
18	R11401440	1	LAMP COVER
19	R71500150	1	GLASS LAMP

POS.	CODE	PIECES	DESCRIPTION
20	R70044200	1	LAMP GASKET
21	R11401450	1	GLASS HOLDER LAMP FLANGE
22	R65270450	1	LIGHT SOCKET
23	R65270020	1	LIGHT 20W 12V G4
24	R65260750	1	LAMPS CONTACT BLOCK
25	R69010260	1	DOOR LATCH 1 STEP
26	R61620132	1	PRONG FLANGE



POS.	CODE	PIECES	DESCRIPTION
1	R58003860	1	MOTOR GASKET BRASS FLANGE
2	R58003870	1	MOTOR GASKET BRASS COUNTER FLANGE
3	*R65040421	1	MOTOR KW 025 2P 220-240V KIT
4	R65060050	1	COMPONENTS VENTILATION MOTOR Ø 120
5	R65070350	1	CHAMBER SAFETY THERMOSTAT
6	R65110200	1	SOLENOID VALVE 220V 50HZ
7	R65110500	1	10 LT/H WATER FLOW REDUCER
8	R65330010	1	BUZZER
9	R65090190	1	REVERSING SWITCH 8"
10	*R65140700	4	CONTACTOR DIL M9-01 4KW-20A
11	*R65160320	1	THERMIC PROTECTION T12-211S-2A
12	R65180420	1	TRANSFORMER 20VA
13	R65200200	1	FUSE 2A
14	R65200320	1	FUSE 0.200A (T)
15	R65210020	2	FUSE CARRIER
16	R65220091	1	TERMINAL BOARD
17	R65260540	1	DOOR SWITCH
18	*R65280200	3	INTERFERENCE SUPPRESSOR
19	R70020040	1	MOTOR GASKET

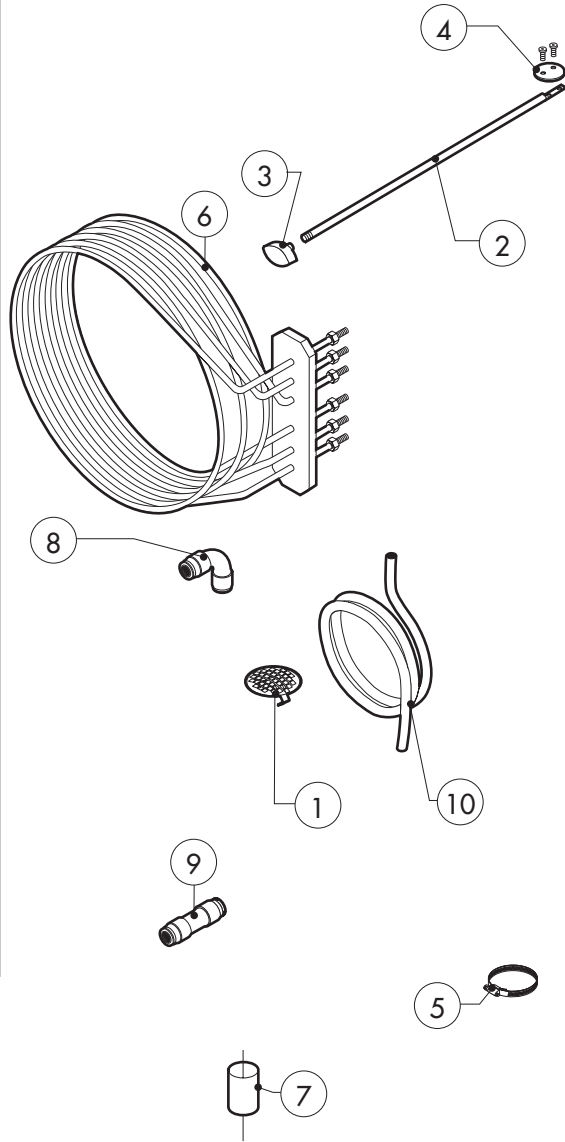
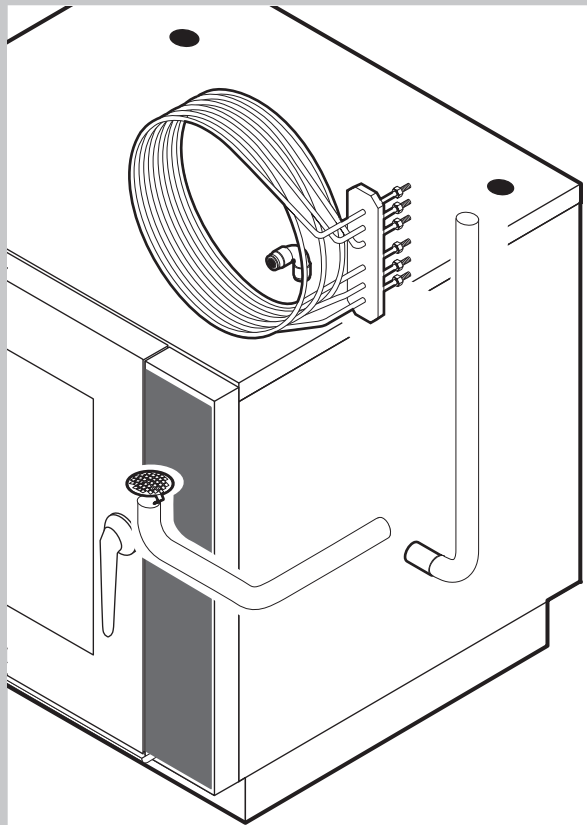
POS.	CODE	PIECES	DESCRIPTION
20	*R75400490	1	FAN Ø 220x78/12 50HZ P.D. KIT
21	R75400420	1	FAN Ø 220x78/8 60HZ P.D. KIT

\*COMPONENT SUBMITTED TO CHANGEMENTS CAUSED BY TENSION DIFFERENT FROM THE STANDARD (3N AC 400V 50HZ)

EDIZIONE 0211

**ECE 071 M**

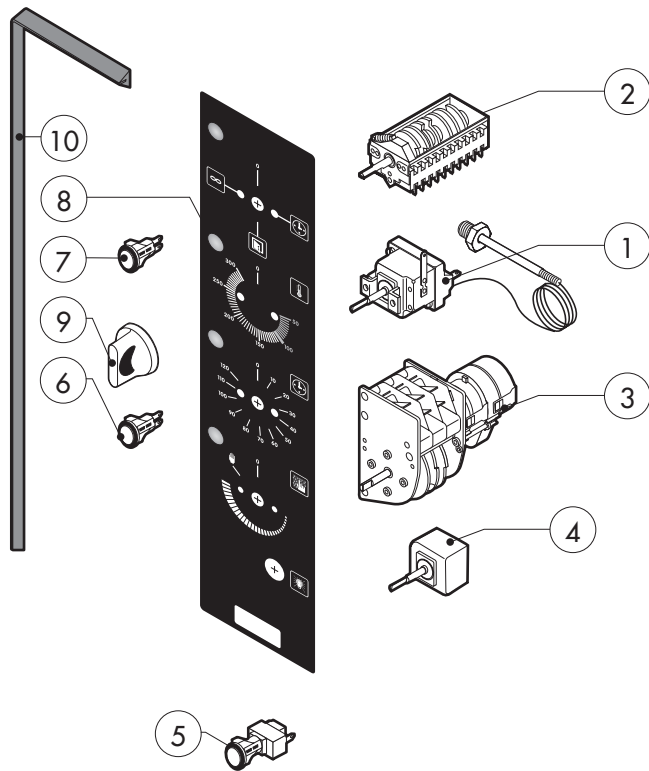
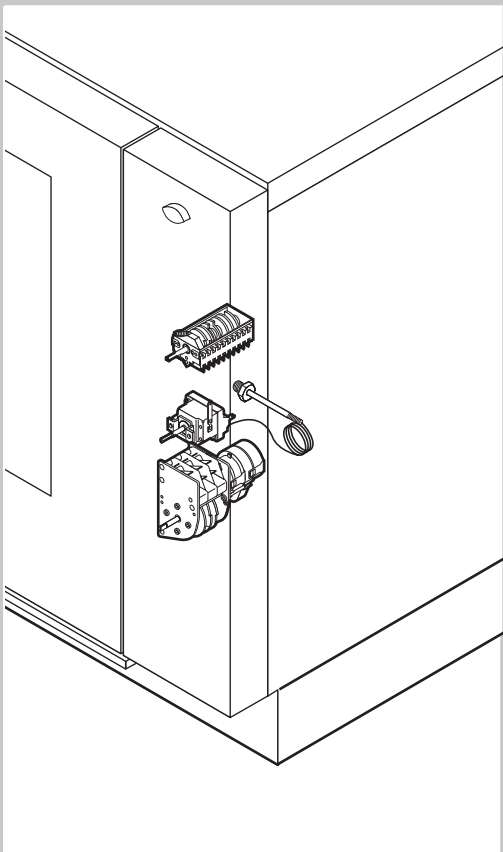
**tav. C**



POS.	CODE	PIECES	DESCRIPTION
1	R10201700	1	DRAIN FILTER
2	R58007110	1	CHAMBER VENT ROD
3	R69010410	1	STEAM OUTLET KNOB
4	R18400940	1	CHAMBER VENT PLATE
5	R61630021	2	METAL CLAMPS 30-45/9
6	*R65011900	1	CHAMBER HEATING ELEMENT 9000W
7	R70060010	1	SILICON COUPLING Ø 30
8	R62090478	3	ELBOW MIDLING PIPE FITTING D.10
9	R62090458	1	STRAIGHT MIDLING PIPE FITTING D.10
10	R70070070	1,5	PE D.10 MM X7 WATER FLEXIBLE PIPE (1 MT LONG)

POS.	CODE	PIECES	DESCRIPTION

\*COMPONENT SUBMITTED TO CHANGEMENTS CAUSED BY TENSION DIFFERENT FROM THE STANDARD (3N AC 400V 50HZ)



POS.	CODE	PIECES	DESCRIPTION
1	R65070360	1	CABINET THERMOSTAT 0°/300°C
2	R65080010	1	MAIN SELECTOR SWITCH
3	R65090020	1	TIMER
4	R65080250	1	ENERGY REGULATOR
5	R65260420	1	HUMIDIFIER PUSH BUTTON
6	R65270150	3	ORANGE INDICATING LIGHT
7	R65270160	1	GREEN INDICATING LIGHT
8	-	1	PLATE
9	R69030130	4	KNOB
10	R70044250	1	CONTROL PANEL GASKET

POS.	CODE	PIECES	DESCRIPTION