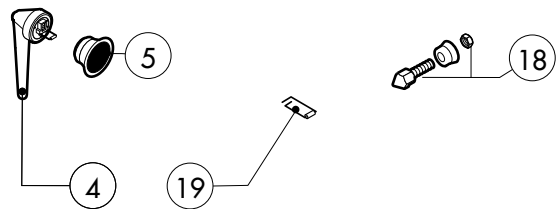
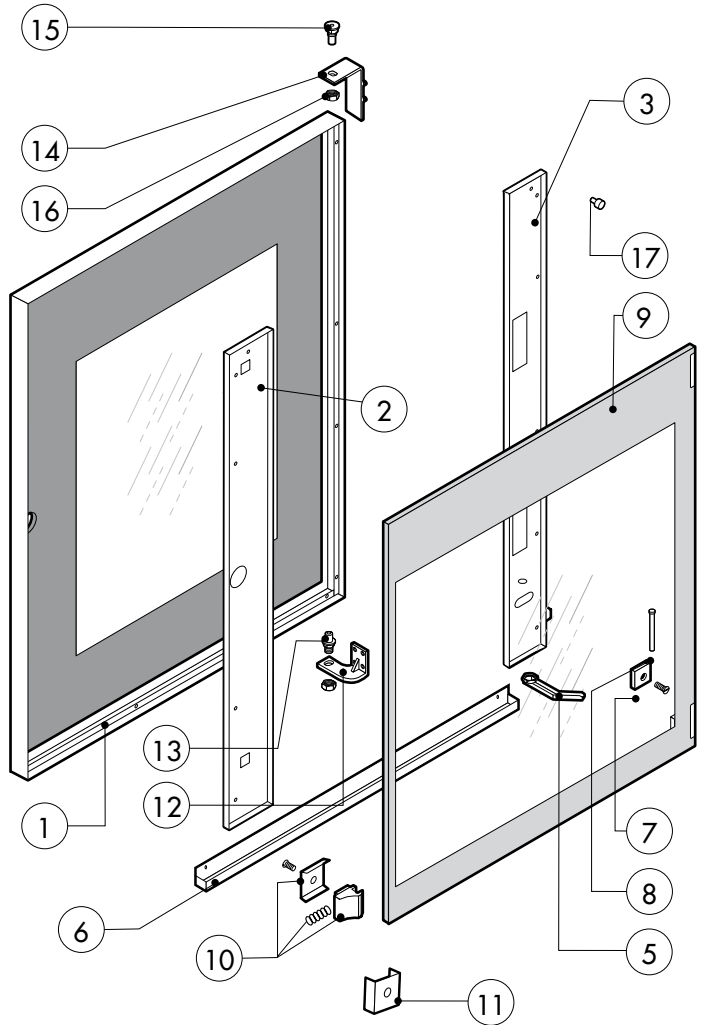
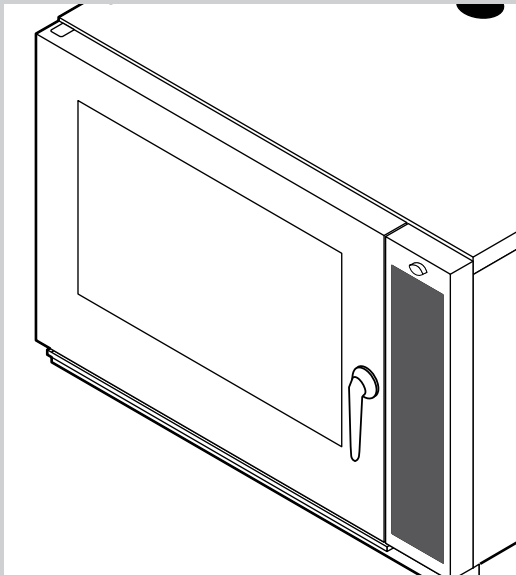


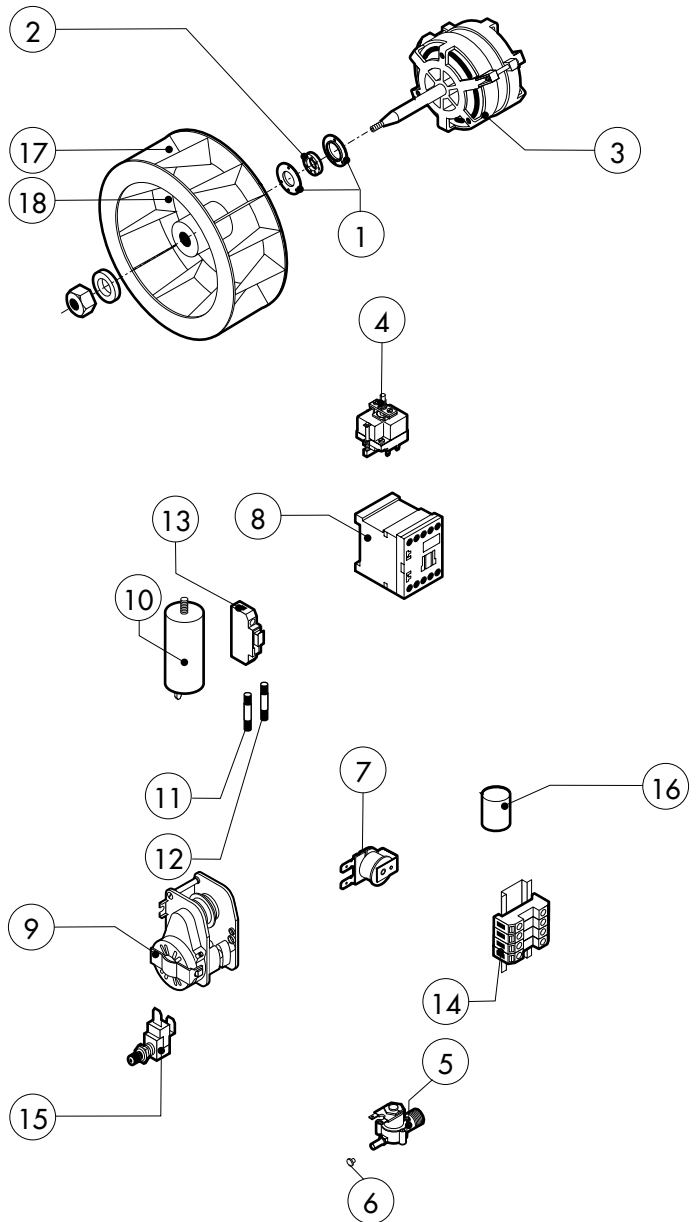
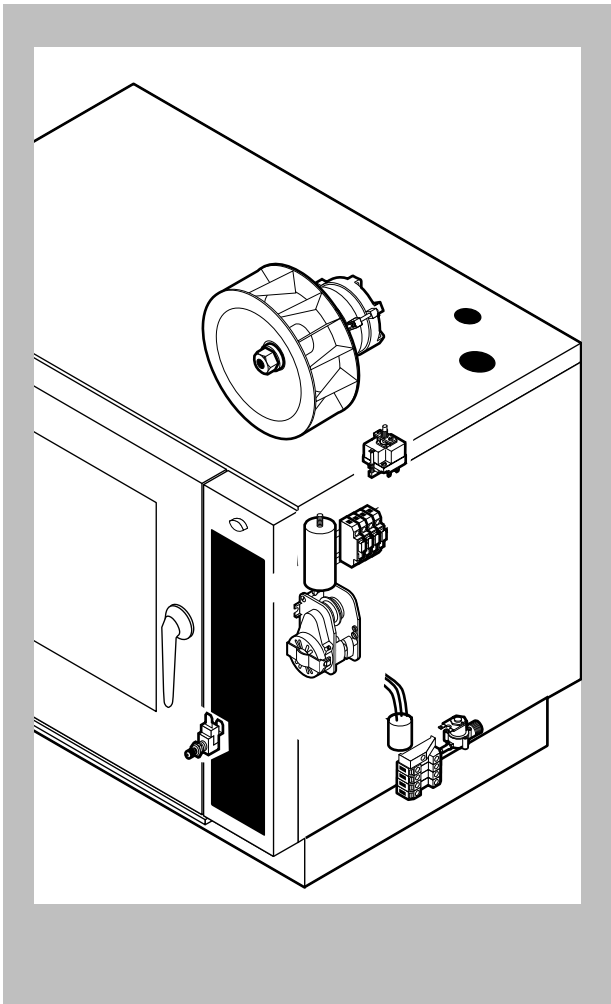
POS.	CODE	PIECES	DESCRIPTION
1	R18100580	1	DOOR ASSEMBLY
2	R18203350	1	CONTROL PANEL
3	R18200540	1	SPRITZER EXTENSION
4	R18204310	1	SPRITZER UNION
5	R18210510	1	COOKING CABINET ASSEMBLY+LEFT SIDE PANEL
6	R65270510	1	LAMP COVER
7	R18423630	1	FAN GUARD PANEL ASSEMBLY
8	R18401760	1	SIDE PANEL
9	R18401770	1	REAR PANEL
10	R18420750	1	COVER PANEL
11	R58006400	2	FAN GUARD FASTENING SCREW
12	R70044350	1	FRONT GASKET
13	R17402050	2	REMOVABLE RACK
14	R18400560	2	REMOVABLE RACK

POS.	CODE	PIECES	DESCRIPTION



POS.	CODE	PIECES	DESCRIPTION
1	R18203400	1	DOOR
2	R18417920	1	RIGHT DOOR POST
3	R18417930	1	LEFT DOOR POST
4	R69010220	1	DOORHANDLE
5	R69010630	1	DOORHANDLE COVER
6	R18420840	1	DOOR BASIN
7	R58001760	2	INNER GLASS SOLID HINGE
8	R58001770	2	INNER GLASS HINGE PIN
9	R71201590	1	OUTER DOOR GLASS
10	R58001780	2	INNER GLASS CATCH KIT
11	R11401350	2	OUTER DOOR GLASS FLANGE
12	R18421580	1	LOWER DOOR HINGE
13	R58002520	1	LOWER HINGE PIN
14	R18421570	1	UPPER DOOR HINGE
15	R58002150	1	UPPER HINGE PIN
16	R58004050	2	NUT FOR UPPER DOOR HINGE
17	R70050100	6	GLASS SILICON SPACERS
18	R69010260	1	DOOR LATCH 1 STEP
19	R61620132	1	DOOR LOCK SPRING

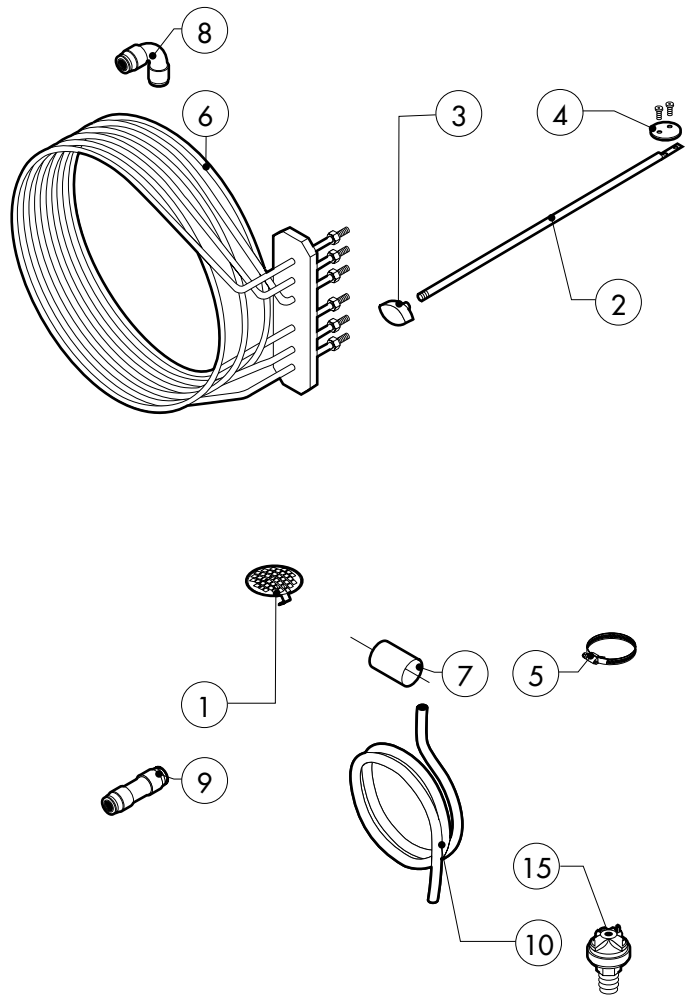
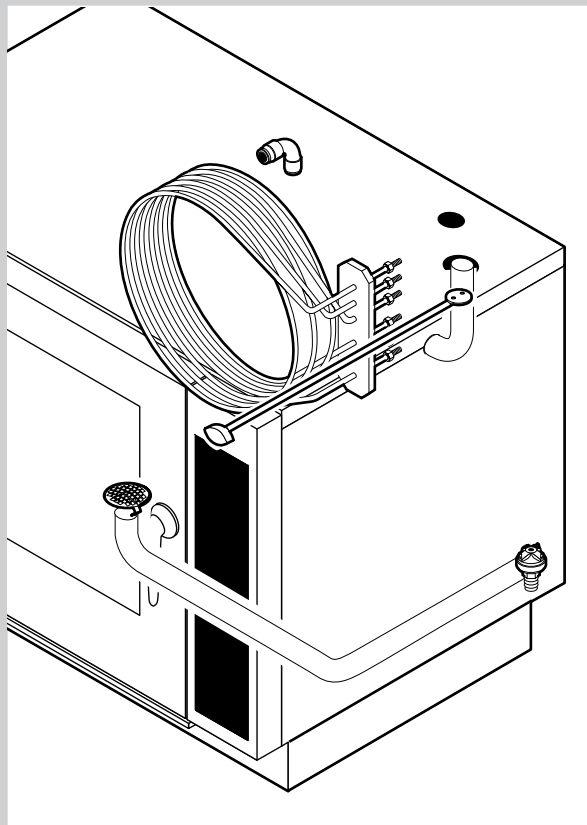
POS.	CODE	PIECES	DESCRIPTION



POS.	CODE	PIECES	DESCRIPTION
1	R58005500	1	MOTOR GASKET BRASS FLANGE
2	R70020020	1	MOTOR GASKET
3	*R65041000	1	MOTOR 200W
4	R65070350	1	CHAMBER SAFETY THERMOSTAT
5	R65110200	1	SOLENOID VALVE 220V 50HZ
6	R65110500	1	10 LT/H WATER FLOW REDUCER
7	R65330010	1	BUZZER
8	*R65140700	2	CONTACTOR DIL M9-01 4KW-20A
9	R65090190	1	REVERSING SWITCH 8'
10	*R65190180	1	CAPACITOR 10 µF
11	R65200200	1	FUSE 2A
12	R65200086	1	FUSE 0.125A (T)
13	R65210020	1	FUSE CARRIER
14	R65220091	1	TERMINAL BOARD
15	R65260540	1	DOOR SWITCH
16	*R65280200	3	INTERFERENCE SUPPRESSOR
17	*R75400410	1	FAN Ø 180x77/12 50HZ P.D.
18	R75400430	1	FAN Ø 180x77/8 60HZ P.D.

POS.	CODE	PIECES	DESCRIPTION

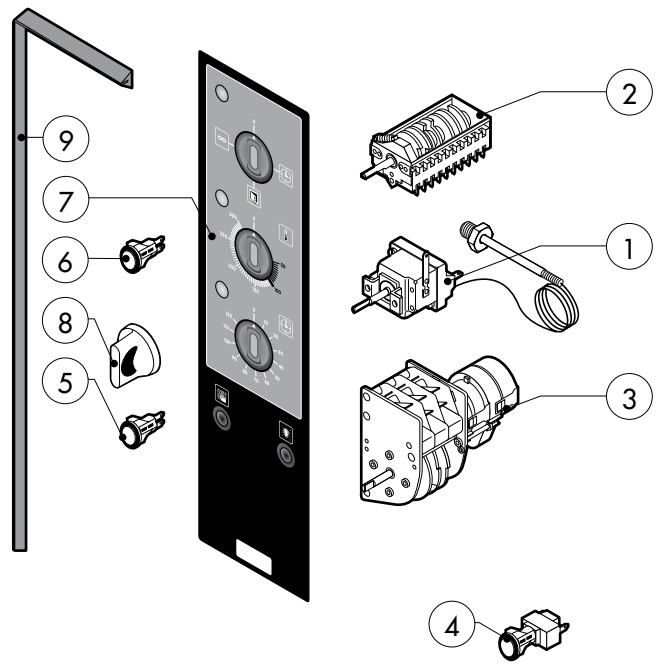
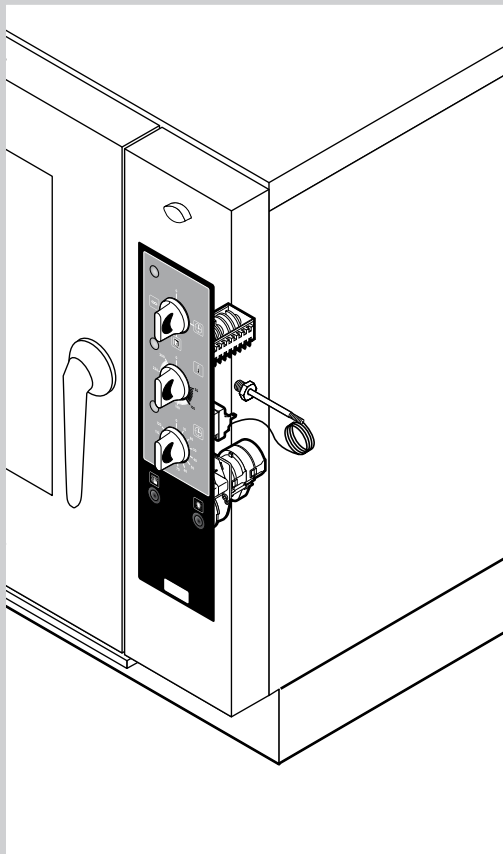
*COMPONENT SUBMITTED TO CHANGEMENTS CAUSED BY TENSION DIFFERENT FROM THE STANDARD (3N AC 400V 50HZ)



POS.	CODE	PIECES	DESCRIPTION
1	R09201820	1	DRAIN FILTER
2	R58007110	1	CHAMBER VENT ROD
3	R69010410	1	STEAM OUTLET KNOB
4	R18400940	1	CHAMBER VENT PLATE
5	R61630081	2	METAL CLAMPS 20-32/9
6	R65011530	1	CHAMBER HEATING ELEMENT 6000W
7	R70060090	1	SILICON COUPLING Ø 25
8	R62090478	3	ELBOW MIDDLING PIPE FITTING D.10
9	R62090458	1	STRAIGHT MIDDLING PIPE FITTING D.10
10	R70070070	1	PE D.10 MM X7 WATER FLEXIBLE PIPE (1 MT LONG)

POS.	CODE	PIECES	DESCRIPTION

*COMPONENT SUBMITTED TO CHANGEMENTS CAUSED BY TENSION DIFFERENT FROM THE STANDARD (3N AC 400V 50HZ)



POS.	CODE	PIECES	DESCRIPTION
1	R65070360	1	CABINET THERMOSTAT 0°/300°C
2	R65080010	1	MAIN SELECTOR SWITCH
3	R65090020	1	TIMER
4	R65260420	1	HUMIDIFIER PUSH BUTTON
5	R65270300	2	ORANGE INDICATING LIGHT
6	R65270320	1	GREEN INDICATING LIGHT
7	-	1	PLATE
8	R69030170	3	KNOB
9	R70044250	1	CONTROL PANEL GASKET

POS.	CODE	PIECES	DESCRIPTION