

**Family**  
COOKING EQUIPMENT ICHEF

**Section**  
ELECTRIC FLATTOP GRILL AND CERAMIC COOKERS

**Model**  
ICP910E  
**Code**  
CR0959010

## ELECTRIC FLATTOP GRILL WITH 4 AREAS M100

Flattop grill for direct and indirect cooking. 20/10 mm thick worktop. Hotplate made of stainless steel with hardened chrome contact surface: maintains heat and reduces heat loss in the environment with considerable energy saving. Hotplate with curved corners and smoothed upper edges, size of cooking area. 830X660 mm., thickness 18 mm. and flush-top height. Four 4 kW independent cooking zones, each measuring 410x320 mm. and surface temperature adjustment from 50 to 400°C. Touchscreen commands to select and view settings for controlling times, cooking methods and temperatures. The control panel includes a timer for monitoring cooking times, with an acoustic signal which sounds when the set time has elapsed. Indicator leds indicating activation of heating and correct appliance operation. Different temperatures can be set for different heating zones, and pans can be shifted from one to another to obtain better cooking, while certain foods can be cooked directly on the hob surface. Appliance equipped with a large perimeter channel, hole for fat run-off and a grease collection drawer. This appliance can be connected with the peak energy management system, which enables electricity savings of over 43%. IPX5 protection rating.



### Technical data

Width mm:	1000	Internal dim. oven mm:	
Depth mm:	900	Oven capacity:	
Height mm:	250	Oven power kW:	
Weight kg.:	127.00	Qty heating zones:	4 x 4 kW - 410x320mm
Volume m <sup>3</sup> :	0.42	Plate dim. mm:	830x660
Power supply:	VAC400-3N 50/60Hz	Dim. heating zone mm:	
Gas power kW:		Qty tank:	
Electric power kW:	16.00	Tank dim. mm:	
		Tank capacity l:	

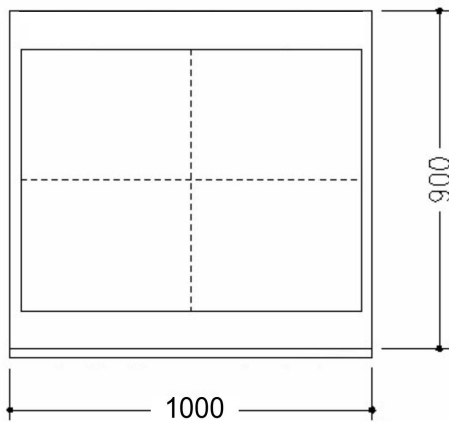
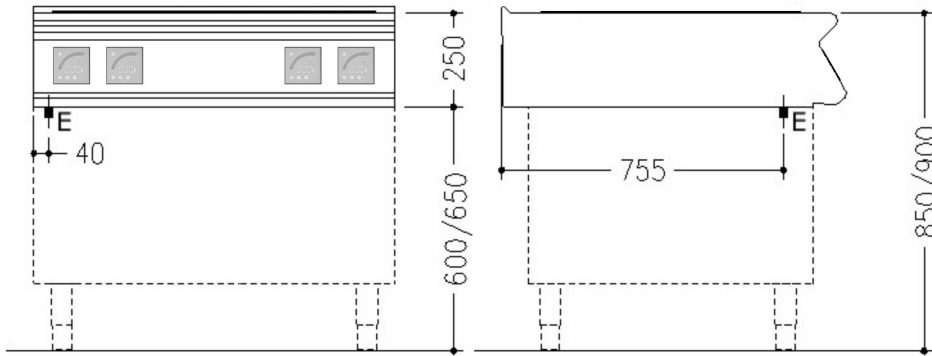
**Family**  
COOKING EQUIPMENT ICHEF

**Section**  
ELECTRIC FLATTOP GRILL AND CERAMIC COOKERS

**Model**  
ICP910E

**Code**  
CR0959010

**ELECTRIC FLATTOP GRILL WITH 4 AREAS M100**



**Legend**

(E) Socket 1: H=660 mm

(E) Socket 2:

(G) Gas:

(AD) Softened water:

(AF) Cold water:

(AC) Hot water:

(S) Draining 1:

(S) Draining 2:

(FR) In e out freon:

(V) Steam: