
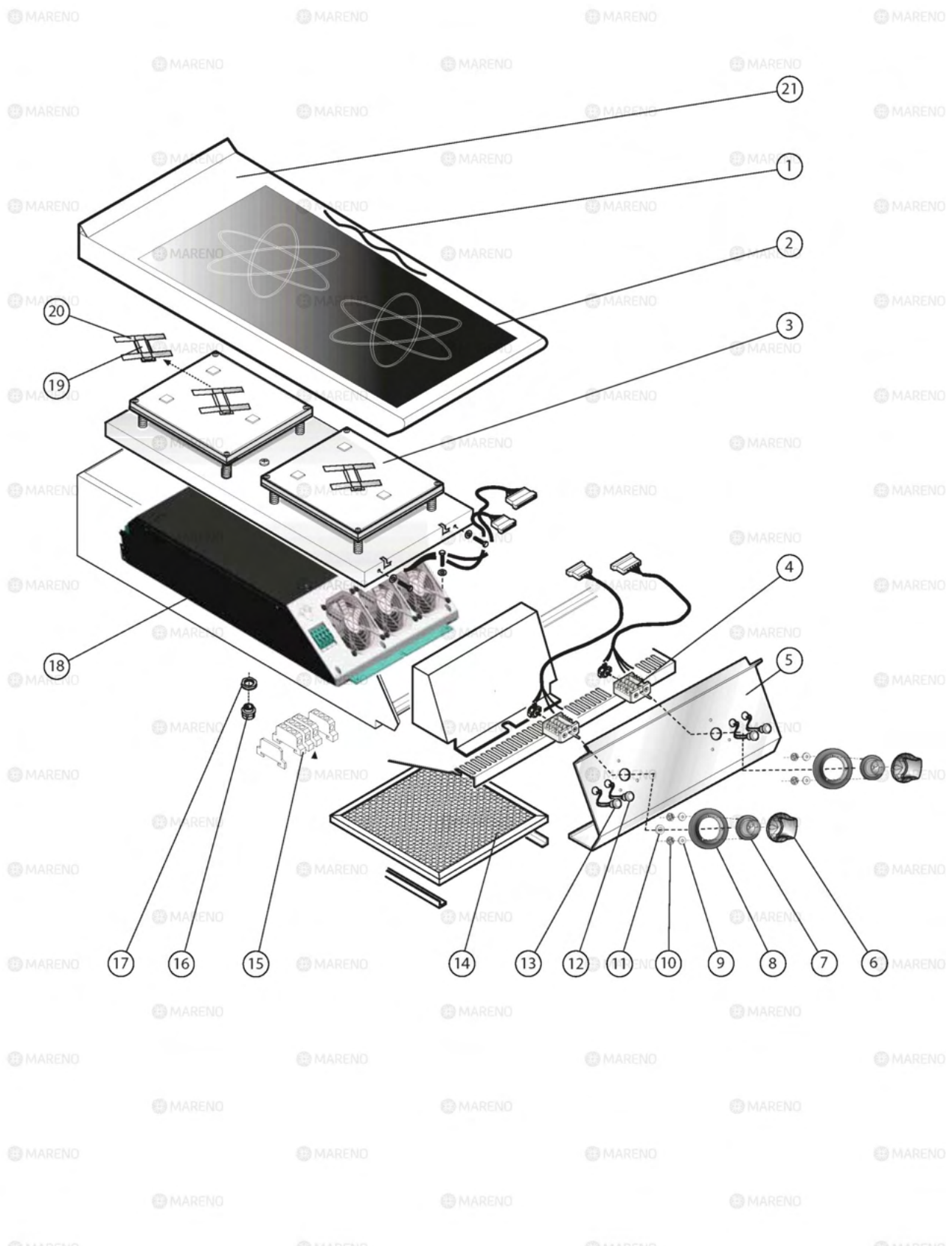



| | | | | |
|---|--|--|---------------|-----------------|
|  MARENO ALI srl Mareno di Piave (TV) | COTTURA STAR 70 | | NI74TE | |
| | PIANO COTTURA AD INDUZIONE ELETTROMAGNETICA | | | |
| | 3_ST70_016_4_01 | | 0916 | Pag. 1.1 |

| Pos | Code | Description |
|------|--------------|--|
| 0001 | CR0739210 | ASSIEME PIANO VETROCERAMICA 700 M40 |
| 0002 | CR0411400 | SILICONE [C] |
| 0003 | CR0506420 | GASKET [C] 10X3 |
| 0003 | CR0739240 | GLASS CERAMIC PLATE [C] |
| 0004 | CR1079041 | INDUTTOR 2x3,5kW 230V D.220 78.98005.080 |
| 0005 | CR1225370 | L-KNOB CABLE [C] |
| 0006 | CR1225360 | L-KNOB CABLE [C] |
| 0007 | CR1225390 | ENERGY REGULATOR [C] |
| 0008 | CR0683091 | CRUSCOTTO NI9-4E |
| 0009 | CR0581710 | KNOB [C] SHAFT D. 6 |
| 0010 | CR0935250 | BUSH [C] |
| 0011 | CR0585801 | METAL LABEL [C] |
| 0011 | CR0585811 | METAL LABEL [C] |
| 0012 | CR0588510 | GASKET [C] CONTROL PANEL 900 |
| 0013 | MA15860399 | FLANGE [C] |
| 0014 | CR1225380 | CABLE [C] |
| 0015 | CR0798591 | AIR FILTER [C] INDUCTION TOP |
| 0017 | MA1037115200 | LOCK NUT [C] |
| 0018 | MA1037115100 | FAIRLEAD [C] V-TEC PG16 |
| 0019 | CR0739260 | GENERATOR [C] 2X3,5KW |
| 0020 | CR0974450 | CABLE [C] |
| 0020 | CR0974450R | KIT SENSOR [C] + ADHESIVE TAPE |



| | | | |
|---|--------------------------------|---------------|-----------------|
|  MARENO ALI spa Mareno di Piave (TV) | COTTURA STAR 70 | NI74TE | |
| | PIANO COTTURA INDUZIONE | | |
| | 3_ST70_016_4_00 | 0916 | Pag. 1.1 |

| Pos | Code | Description |
|------|--------------|--|
| 0001 | CR0411400 | SILICONE [C] |
| 0002 | CR0739240 | GLASS CERAMIC PLATE [C] |
| 0003 | CR1079041 | INDUTTOR 2x3,5kW 230V D.220 78.98005.080 |
| 0004 | CR0737320 | COMMAND [C] |
| 0004 | CR1225390 | ENERGY REGULATOR [C] |
| 0005 | CR0683091 | CRUSCOTTO NI9-4E |
| 0006 | CR1094330 | KNOB [C] SHAFT D. 6 |
| 0007 | CR0935250 | BUSH [C] |
| 0008 | CR0585801 | METAL LABEL [C] |
| 0008 | CR0585811 | METAL LABEL [C] |
| 0009 | CR0588510 | GASKET [C] CONTROL PANEL 900 |
| 0010 | MA15860399 | FLANGE [C] |
| 0011 | CR0587650 | GASKET [C] SHAFT |
| 0012 | CR0974480 | GREEN PILOT LAMP [C] |
| 0013 | CR0974470 | RED PILOT LAMP [C] |
| 0014 | CR0798590 | AIR FILTER [C] INDUCTION TOP |
| 0015 | MA20802799 | TERMINAL [C] 6MM |
| 0016 | MA1037114500 | LOCK NUT [C] |
| 0016 | MA1037115100 | FAIRLEAD [C] V-TEC PG16 |
| 0017 | MA1037112400 | FAIRLEAD [C] |
| 0017 | MA1037115200 | LOCK NUT [C] |
| 0018 | CR0739260 | GENERATOR [C] 2X3,5KW |
| 0019 | CR0974450 | CABLE [C] |
| 0020 | CR0974450R | KIT SENSOR [C] + ADHESIVE TAPE |
| 0021 | CR1097480 | SHELF [C] INDUCTION RANGE M40 700 |