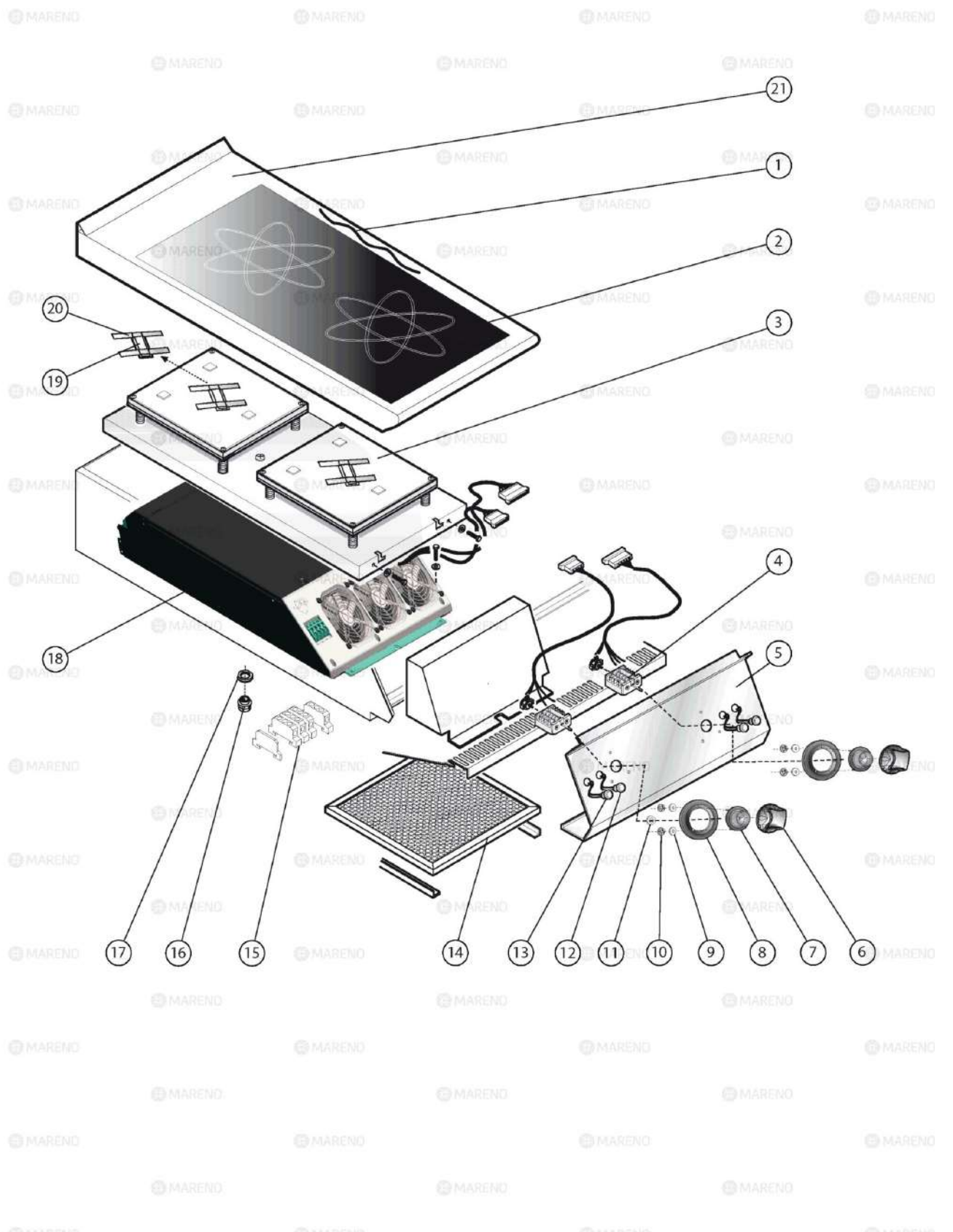

 MARENO ALI srl Mareno di Piave (TV)	COTTURA STAR 90		NI94TE	
	PIANO COTTURA AD INDUZIONE ELETTROMAGNETICA			
	3_ST90_017_4_01		0916	Pag. 1.1

Pos	Code	Description
0002	CR0411400	SILICONE [C]
0003	CR0506420	GASKET [C] 10X3
0003	CR0736241	GLASS CERAMIC PLATE [C]
0004	CR0737310	INDUCTOR [C]
0005	CR1225370	L-KNOB CABLE [C]
0006	CR1225360	L-KNOB CABLE [C]
0007	CR1225390	ENERGY REGULATOR [C]
0008	CR0683091	CRUSCOTTO NI9-4E
0009	CR1094330	KNOB [C] SHAFT D. 6
0010	CR0935250	BUSH [C]
0011	CR0585801	METAL LABEL [C]
0011	CR0585811	METAL LABEL [C]
0012	CR0588510	GASKET [C] CONTROL PANEL 900
0014	CR1225380	CABLE [C]
0015	CR0798591	AIR FILTER [C] INDUCTION TOP
0016	MA20802799	TERMINAL [C] 6MM
0018	MA1037115200	LOCK NUT [C]
0019	CR1078989FS	GENERAT. EGO 2x5kW 78.99120.120-00 230V
0020	CR0974450	CABLE [C]
0020	CR0974450R	KIT SENSOR [C] + ADHESIVE TAPE



 MARENO ALI spa Mareno di Piave (TV)	COTTURA STAR 90		NI94TE	
	PIANO COTTURA INDUZIONE			
	3_ST90_017_4_00		0916	Pag. 1.1

Pos	Code	Description
0001	CR0411400	SILICONE [C]
0002	CR0736241	GLASS CERAMIC PLATE [C]
0003	CR0737310	INDUCTOR [C]
0004	CR0737320	COMMAND [C]
0004	CR1225390	ENERGY REGULATOR [C]
0005	CR0683091	CRUSCOTTO NI9-4E
0006	CR1094330	KNOB [C] SHAFT D. 6
0007	CR0935250	BUSH [C]
0008	CR0585801	METAL LABEL [C]
0008	CR0585811	METAL LABEL [C]
0009	CR0588510	GASKET [C] CONTROL PANEL 900
0010	MA15860399	FLANGE [C]
0011	CR0587650	GASKET [C] SHAFT
0012	CR0974480	GREEN PILOT LAMP [C]
0013	CR0974470	RED PILOT LAMP [C]
0014	CR0798590	AIR FILTER [C] INDUCTION TOP
0015	MA20802499	TERMINAL [C] 16MM
0015	MA20802899	TERMINAL [C] 16MM
0016	MA1037114500	LOCK NUT [C]
0016	MA1037115100	FAIRLEAD [C] V-TEC PG16
0017	MA1037112400	FAIRLEAD [C]
0017	MA1037115200	LOCK NUT [C]
0018	CR1078989FS	GENERAT. EGO 2x5kW 78.99120.120-00 230V
0019	CR0974450	CABLE [C]
0020	CR0974450R	KIT SENSOR [C] + ADHESIVE TAPE
0021	CR1097460	INDUCTION PLATE [C] 900 M40 MARENO