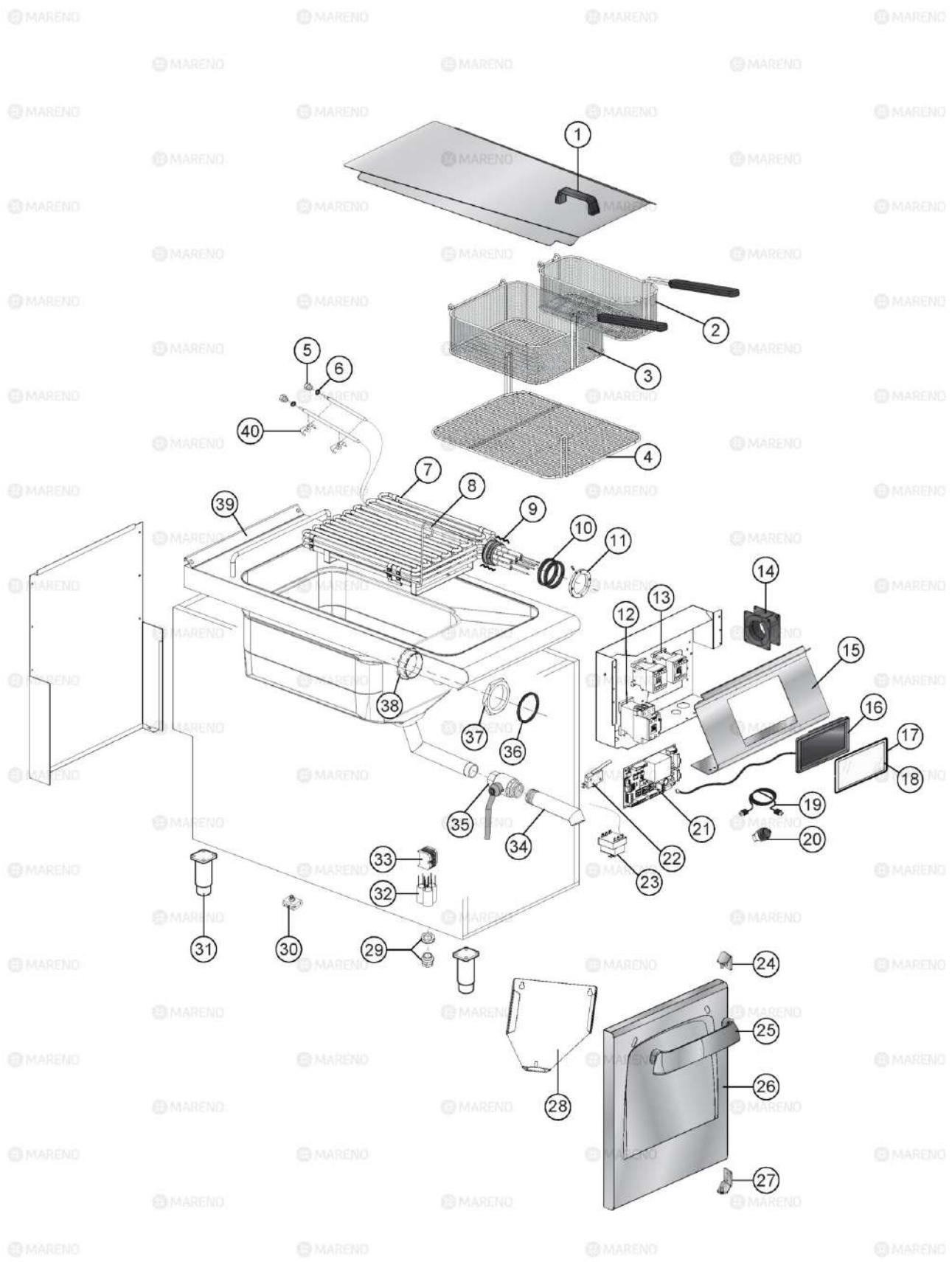

 MARENO ALI spa Mereno di Piave (TV)	COTTURA STAR 90	NF94_2_HF	
	FRIGGITRICE IFRY - SISTEMA DI FILTRAGGIO		
	3_ST90_098_4_01	0916	Pag. 1.1

Pos	Code	Description
0001	CR1265290	SOCKET [C] F 3/8
0002	CR1265910	CONNECTION OIL VACUUM SYSTEM
0003	CR1312670	PUMP OIL FRYER [C] - UP6/OIL
0004	CR1315061	SOLENOID VALVE [C]
0005	CR1265300	CONNECTOR [C] M 3/8
0006	CR0733340	VALVE [C]
0007	CR0799260	EXTENSION [C] DRAIN FRYERS 900
0008	CR1315560	DRAIN VALVE STOPPER [C]
0009	CR1315570	LEVER [C] DRAIN TAP FRYER TANK EVO
0010	CR1315580	HANDLE [C] DRAIN LEVER FRYER EVO
0011	CR1265980	FRAME [C] FILTER FRYER EVO
0012	CR1265970	BASKET [C] FRYER EVO
0013	CR1265990	FILTER [C] FRYER EVO
0014	CR1342930	VACUUM FILTER [C] FRYER EVO
0015	CR1315080	OIL TRAY [C] FRYER
0016	CR1342920	CONNECTOR CLEANING VENT PIPE
0017	CR1266070	CONNECTOR OIL PIPE
0018	CR1315661	DRAIN PIPE FRYER EVO
0019	CR1318040	PIPE STOPPER [C]



 MARENO ALI spa Mereno di Piave (TV)	COTTURA STAR 90	NF94E22H
	FRIGGITRICE IFRY - VERSIONE ELETTRICA 22lt	
	3_ST90_097_4_01	0916 Pag. 1.1

Pos	Code	Description
0001	CR0581550R	COVER [C] FRYER 23L 900
0001	CR1303780	COVER [C] FRYER 22-23 LT
0001	MACM073100	HANDLE [C] MT/105
0002	CR0580810	BASKET [C] 1/2 FRYER 23L
0003	CR0581540	BASKET [C] FRYER 900
0004	CR1268310	TANK GRID [C] FRYER 22lt
0005	MACM012401	NUT [C] M10X1
0006	MACM097900	GASKET OR [C] THERMOSTAT BULB
0007	CR1265930	HEATING ELEMENT [C] FRYER 22KW
0008	CR1343640	HOOK [C] HEATING ELEMENT LIFTING SYSTEM FRYER 22LT
0009	MACM200100	GREASE [C]
0010	CR1342950	GASKET [C] OR
0011	MA15119299	GRAIN [C]
0011	MACM021600	RING NUT [C]
0012	MACM187401	CONTACTOR [C]
0013	MACM187301	CONTACTOR [C]
0014	MACM250700	FAN [C]
0015	CR1315240	FRONT PANEL [C] FRYER EVO MARENO
0015	CR1315250	FRONT PANEL [C] FRYER EVO MARENO
0016	CR1262420	INTERFACE [C] TOUCH COMPLETE
0016	CR1315651	CABLE W/CONNECTOR L=0,4 MT
0017	CR1098980	GASKET [R] D.4
0018	CR1266020	GLASS [C] 4MM CONSOLLE 7 180X115
0019	CR1162390	CABLE USB MALE/MALE L=0,75 MT
0020	CR1160290	CONNECTOR [C]
0021	CR1161830	UNIVERSAL PC BOARD [C]
0021	MACM295900	PROBE [C] L. 250
0022	MA1037111300	MICROSWITCH [C]
0023	MACM097701	THERMOSTAT [C] 230Â°C
0024	CR0586510	RIGHT HINGE [C] FOR SHAFT DOOR
0025	CR1094600R	HANDLE [C] OVEN STAR
0026	CR1093590	GRUPPO PORTA M40
0027	CR1315510	HINGE RH DOOR BASE
0028	CR1316370	SUPPORTO TUBO PROLUNGA OLIO FRIGG.EVO
0029	MA1037115300	FAIRLEAD [C] V-TEC PG29
0029	MA1037115400	LOCK NUT [C]
0030	MA1878400	TERMINAL BLOCK [C]
0031	MA6086113	FOOT ASSEMBLY [C] H. 200
0032	CR0935660	ELECTRIC NOISE FILTER [C]
0033	MA1037112500	TERMINAL [C]
0033	MA1037116100	TERMINAL [C]
0033	MA20802499	TERMINAL [C] 16MM
0033	MA20802599	TERMINAL [C] 16MM
0033	MA20802799	TERMINAL [C] 6MM
0033	MA20802899	TERMINAL [C] 16MM
0034	CR0585850	EXTENSION [C] DRAIN FRYERS 23L
0035	CR0733340	VALVE [C]

Pos	Code	Description
0036	CR0582140	GASKET [C]
0037	CR1343240	NUT [C]
0038	CR1343230	BUSH
0039	CR0580721	PLAN WITH TANK [C] FRYER 22L. ELE. 900M40
0040	MA1033515800	ELASTIC COUPLER [C]