
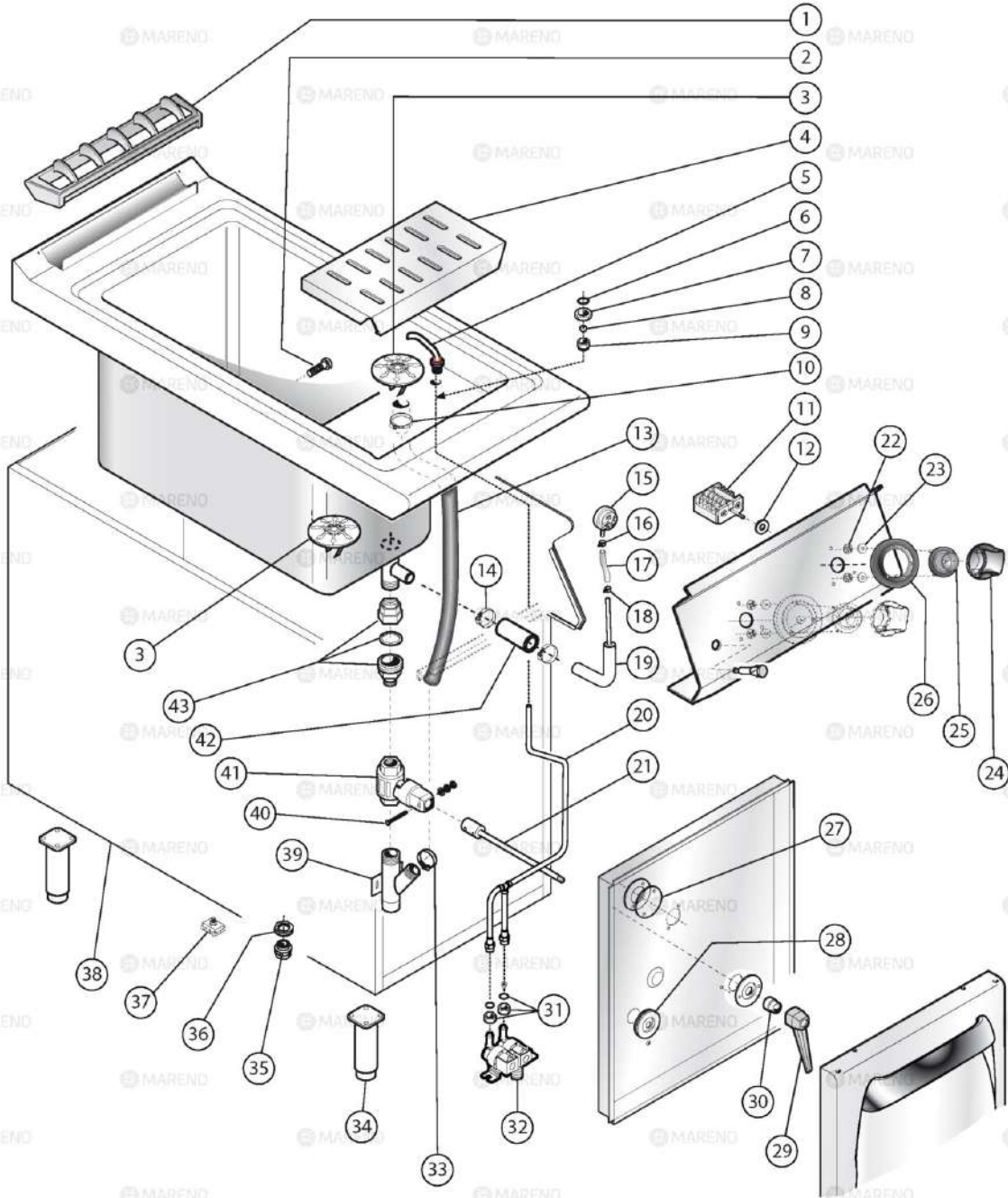



ID GAS: □ G30/50   ♦ G30/37   ■ G30/29   ◐ G20/20   ◑ G20/25   ● G25/25   ◒ G25.1/25   ★ G25/20   ◓ G120/8   ◔ G110/8

 MARENO ALI spa Mareno di Piave (TV)	<b>COTTURA STAR 90</b>		<b>NPC94G</b>	
	<b>CUOCIPASTA A GAS</b>			
	<b>3_ST90_061_4_00</b>		<b>0916</b>	<b>Pag. 1.1</b>

Pos	Code	Description
0001	CR0586000	PIPE [C] PASTA COOKER 900 PILOT
0002	MA1880600	CONNECTOR [C]
0003	MACM029100	THERMOCOUPLE [C] L 850
0004	MA1871200	VALVE [C] 230V
0005	CR0588920	NIPPLE [C]
0006	BN6A016300	BICONE [C] D. 12
0007	MA673100	NUT [C] M20X1,5
0008	MA5142000	PRESSURE REGULATOR [C]
0009	CR0507660	REGULATOR [C]
0010	MA673100	NUT [C] M20X1,5
0011	BN6A016300	BICONE [C] D. 12
0012	CR0588920	NIPPLE [C]
0013	CR0588950	EXTENSION [C] DRAIN PASTA COOKER 900
0014	CR0583110	FRONT PANEL [C] PASTA COOKER 900 M40
0015	CR1094330	KNOB [C] SHAFT D. 6
0016	CR0935250	BUSH [C]
0017	CR0589870	METAL LABEL [C]
0018	CR0587500	ORANGE PILOT LAMP [C]
0019	MA1033700200	NUT [C] M14X1
0020	MA1326500	NUT [C] M16X1,5
0021	MA86720	BICONE [C] D. 10
0022	MACM021700	NOZZLE HOLDER [C]
0025	LA65080250	ENERGY REGULATOR [C]
0026	MACM101601	AIR REGULATOR [C]
0027	CR0589800	GASKET [C] VALVE PANS 900
0028	MACM040800	PILOT [C]
0029	MA1888400	CONNECTOR [C] IGNITOR CLAMPING
0030	MA673600	BICONE [C] D. 4
0031	MA673500	NUT [C] M10X1
0032	MA1891700	CONNECTOR [C] THERMOCOUPLE
0033	MACM029100	THERMOCOUPLE [C] L 850
0034	MA1888300	IGNITOR [C]
0035	CR0585970	RAMP [C] PASTA COOKER 900 M40
0036	CR0588180	3 POLES TERMINAL BLOCK [C] 450V
0037	CR0506300	ELECTRIC NOISE FILTER [C]
0038	CR0586000	PIPE [C] PASTA COOKER 900 PILOT
0039	CR0585990	PIPE [C] PASTA COOKER 900 BURNER
0040	MA2971400	ELECTRICAL IGNITER [C]
0041	MACM088100	BURNER [C] PANS 900
0043	CR0580640	PROTECTION GRID [C] SMOKE DRAIN M40
0902	MA1491000	NOZZLE [C] D. 320
0902	MA1631300	NOZZLE [C] D. 165
0902	MA2715200	NOZZLE [C] D. 290
0902	MA707200	NOZZLE [C] D. 190
0903	CR0410100	NOZZLE [C] D. 30
0903	MA1033719700	NOZZLE [C] D. 41 PILOT
0903	MA1874700	NOZZLE [C] D. 25 PILOT



 MARENO ALI spa Mareno di Piave (TV)	<b>COTTURA STAR 90</b>	<b>NPC9</b>
	<b>CUOCPASTA A GAS E ELETTRICI COMPONENTI COMUNI</b>	
	<b>3_ST90_064_4_8_00</b>	<b>0916</b>

Pos	Code	Description
0001	CR0580640	PROTECTION GRID [C] SMOKE DRAIN M40
0002	CR0588190	PIN [C] DRAINER PASTA COOKER
0003	MA1817201	ASS.GRIGLIA SCARICO
0004	CR0588001LE	SGOCCIOLATOIO CUOCIPASTA
0005	CR0582451	TAP [C] PASTA COOKER
0006	MA1036507500	GASKET [C] 15,60X1,78
0007	MA1033703200	NUT [C] M16X1,5
0008	MA86720	BICONE [C] D. 10
0009	MA1326500	NUT [C] M16X1,5
0010	MA1033504000	CLAMP [C]
0011	CR0581810	4 WAYS COMMUTATOR [C]
0013	CR1227600	PIPE [C] D. 72CM
0014	MA1033504100	STEEL CLAMP [C]
0015	CR0585951	PRESSURE SWITCH [C]
0016	CR0796890	CLAMP [C]
0017	CR0585930	SILICONE RUBBER PIPE [C] D. 4X8
0018	CR0796890	CLAMP [C]
0019	CR0589882	PIPE [C]
0020	CR0583521	PIPE [C] PASTA COOKER 900 TAP
0021	CR0588950	EXTENSION [C] DRAIN PASTA COOKER 900
0022	CR0588950	EXTENSION [C] DRAIN PASTA COOKER 900
0024	CR1094330	KNOB [C] SHAFT D. 6
0025	CR0935250	BUSH [C]
0026	CR0584030	METAL LABEL [C]
0028	CR0589800	GASKET [C] VALVE PANS 900
0029	MA2863500	HANDLE [C] MF 63N
0030	MA1515900	SPACER [C] KNOB
0031	CR0682340	NUT [C]
0032	CR0939340R	SOLENOID VALVE [C] 230V
0032	CR1220370R	SOLENOID VALVE [C] WATER
0033	MA1033504000	CLAMP [C]
0034	MA6086113	FOOT ASSEMBLY [C] H. 200
0035	MA1037115100	FAIRLEAD [C] V-TEC PG16
0036	MA1037115200	LOCK NUT [C]
0037	MA1878400	TERMINAL BLOCK [C]
0038	CR0585520	LEFT SIDE PANEL [C] MONOBLOCK 900
0039	CR0681800	WATER DRAIN [C] TANK PASTA COOKER
0040	MA15203299	SCREW [C] M5X45 UNI EN ISO 4014
0041	CR0588960	VALVE [C]
0042	CR1225330	COUPLING [C] TANK-PIPE CONNECTION
0043	CR1225320	CONNECTOR [C] M/F