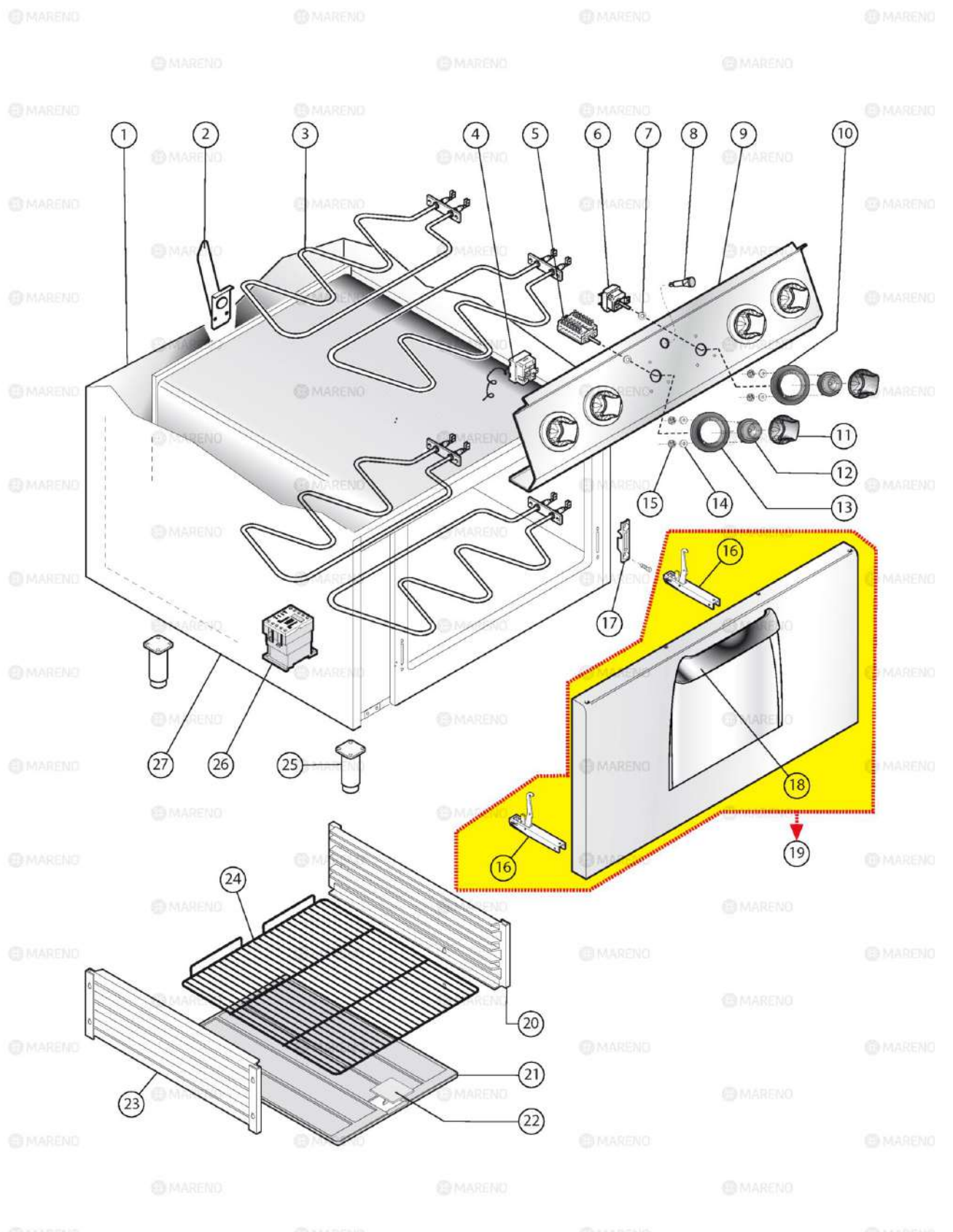

 MARENO ALI spa Mareno di Piave (TV)	COTTURA STAR 90	NV98E
	PIANO COTTURA IN VETROCERAMICA	
	3_ST90_016_8_00	0916

Pos	Code	Description
0001	CR1097410R	CERAMIC GLASS SHELF [C] 900 M80
0002	CR0688620	GLASS CERAMIC PLATE [C]
0003	CR0411400	SILICONE [C]
0004	CR0688660	SQUARED ELECTRIC PLATE [C] 4KW 300X300
0005	MACM294000	SPRING [C] RADIANT ELEMENT
0007	CR0735620	CRUSCOTTO NV9FE8E
0008	CR0682520	RED PILOT LAMP [C]
0009	CR1094330	KNOB [C] SHAFT D. 6
0010	CR0935250	BUSH [C]
0011	CR0688720	LABEL [C]
0011	CR0688730	LABEL [C]
0013	CR0588950	EXTENSION [C] DRAIN PASTA COOKER 900
0014	CR0587500	ORANGE PILOT LAMP [C]
0015	CR0688650	THERMOSTAT [C]



 MARENO ALI spa Mareno di Piave (TV)	COTTURA STAR 90	NC9FE8G	
	FORNO ELETTRICO		
	3_ST90_006_8_00	0916	Pag. 1.1

Pos	Code	Description
0002	CR0586470	ASS.SCARICO CONDENSA FORNO EL.900
0003	CR0681390	HEATING ELEMENT [C] OVEN 900
0004	MA1878500	THERMOSTAT [C] 360Â°C
0005	MA1309000	COMMUTATOR [C]
0006	MA1309115	THERMOSTAT [C] 0-300Â°C
0008	MA1037300910	ORANGE PILOT LAMP [C]
0010	CR0584020	METAL LABEL [C]
0011	CR1094330	KNOB [C] SHAFT D. 6
0012	CR0935250	BUSH [C]
0013	CR0682861	METAL LABEL [C]
0015	CR0588950	EXTENSION [C] DRAIN PASTA COOKER 900
0016	MACM041300	HINGE [C] FOR OVEN DOOR
0017	MA1304500	BRACKET [C] ROLLER HOLDER
0018	CR1094600R	HANDLE [C] OVEN STAR
0019	CR1093610	GRUPPO PORTA FORNO 900 STAR
0020	CR0580250	SUPPORT [C] GRID OVEN 900
0021	CR0580000	BOTTOM [C]
0022	CR0581050	COVER [C] OVEN
0023	CR0580250	SUPPORT [C] GRID OVEN 900
0024	MA2306800	SHELF GRID [C] GN 2/1
0025	MA6086113	FOOT ASSEMBLY [C] H. 200
0026	MACM187301	CONTACTOR [C]
0027	CR0585520	LEFT SIDE PANEL [C] MONOBLOCK 900