
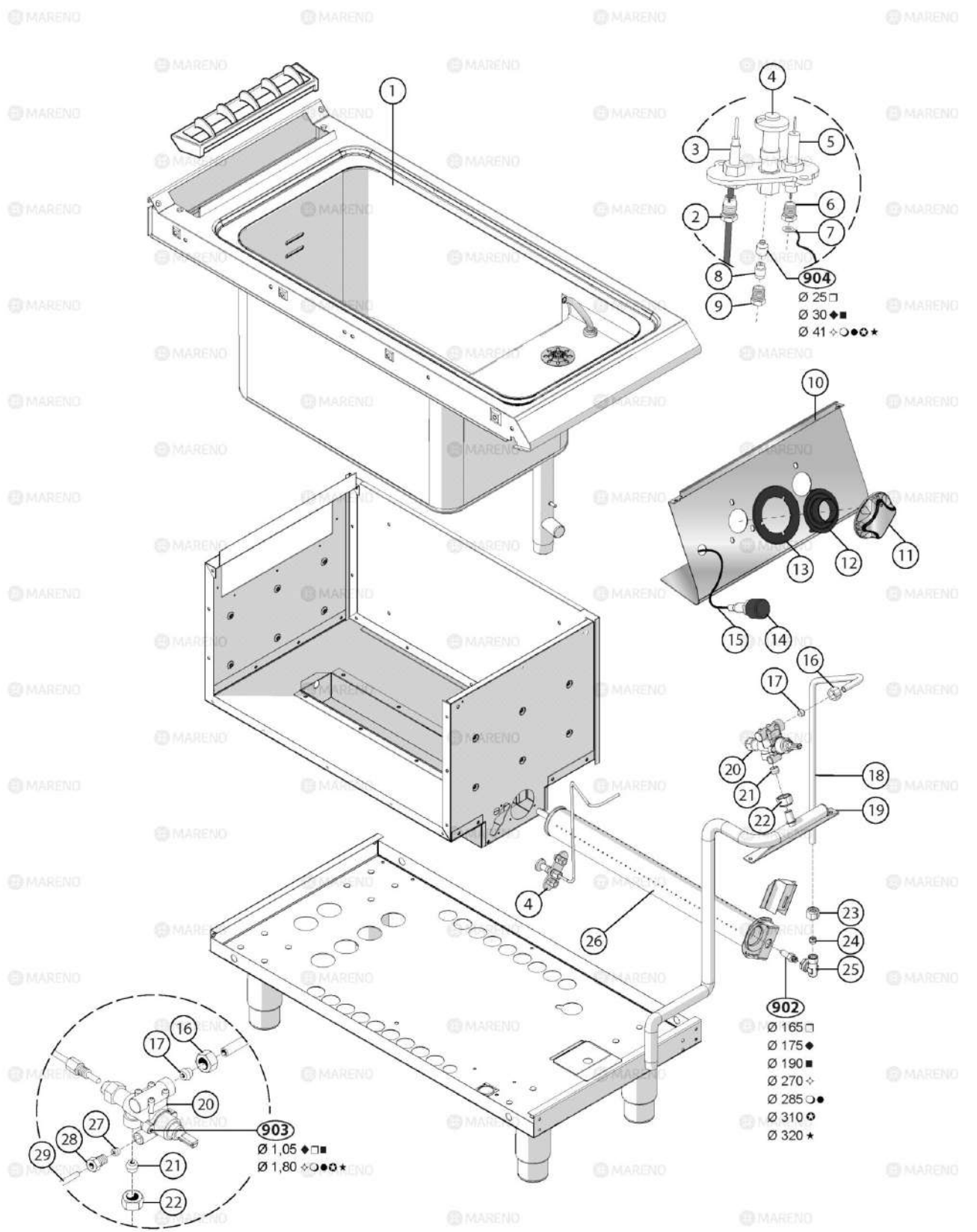



ID GAS: □ G30/50 ◆ G30/37 ■ G30/29 ○ G20/20 ✦ G20/25 ● G25/25 ⊕ G25.1/25 ★ G25/20 ✦ G120/8 ⊙ G110/8

 MARENO ALI spa Mareno di Piave (TV)	<b>COTTURA STAR 90</b>		<b>NPC94GM</b>	
	<b>CUOCIPASTA A GAS MODELLO "M" (COMPONENTI IDRAULICI)</b>			
	<b>3_ST90_092_4_00</b>		<b>0319</b>	<b>Pag. 1.1</b>

Pos	Code	Description
0001	CR0585861R	PLAN WITH PASTA COOKER GAS 900 M40
0002	CR0588190	PIN [C] DRAINER PASTA COOKER
0003	CR0588001LE	SGOCCIOLATOIO CUOCIPASTA
0004	CR0582451	TAP [C] PASTA COOKER
0005	MA1817201R	PROTECTION GRID [C] DRAIN
0007	MA1033504100	STEEL CLAMP [C]
0008	CR1225330	COUPLING [C] TANK-PIPE CONNECTION
0009	CR1263810	PIPE PRESSOSTAT [C] PASTA COOKER FULL GAS
0010	CR1263820	PRESSOSTAT BECK 200-260
0013	CR0935250	BUSH [C]
0014	CR1094350	KNOB [C] SHAFT D. 10
0016	MACM155200	HANDLE [C] PASTA COOKER DRAIN
0017	MA15119299	GRAIN [C]
0018	SI8206800	EXTENSION [C] DRAIN PASTA COOKER 700
0019	CR0681800	WATER DRAIN [C] TANK PASTA COOKER
0020	CR1227600	PIPE [C] D. 72CM
0021	CR1225320	CONNECTOR [C] M/F
0022	CR0588960	VALVE [C]



ID GAS: □ G30/50   ♦ G30/37   ■ G30/29   ○ G20/20   ✦ G20/25   ● G25/25   ⊕ G25.1/25   ★ G25/20   ✧ G120/8   ⊙ G110/8

 MARENO ALI spa Mareno di Piave (TV)	<b>COTTURA STAR 90</b>		<b>NPC94GM</b>	
	<b>CUOCIPASTA A GAS MODELLO "M"</b>			
	<b>3_ST90_093_4_00</b>		<b>0319</b>	<b>Pag. 1.1</b>

Pos	Code	Description
0001	CR0585861R	PLAN WITH PASTA COOKER GAS 900 M40
0002	MA1891700	CONNECTOR [C] THERMOCOUPLE
0003	MACM029100	THERMOCOUPLE [C] L 850
0004	MACM040800	PILOT [C]
0005	MA1888300	IGNITOR [C]
0006	MA1888400	CONNECTOR [C] IGNITOR CLAMPING
0007	MA1936400	IGNITOR CABLE SET [C] L. 800
0008	MA673600	BICONE [C] D. 4
0009	MA673500	NUT [C] M10X1
0011	CR1094350	KNOB [C] SHAFT D. 10
0012	CR0935250	BUSH [C]
0013	CR0583980	METAL LABEL [C]
0014	MACM136000	PROTECTION [C] PIEZO UNIT
0015	MA1936100	PIEZO IGNITOR [C]
0016	MA673200	NUT [C] M20X1,5
0017	BN6A011470	BICONE [C] D. 10
0020	MA1888600	GAS TAP [C] 22S
0021	BN6A016300	BICONE [C] D. 12
0022	MA673100	NUT [C] M20X1,5
0023	MA1326500	NUT [C] M16X1,5
0024	MA86720	BICONE [C] D. 10
0025	MACM021700	NOZZLE HOLDER [C]
0026	MACM088100	BURNER [C] PANS 900
0026	MACM101601	AIR REGULATOR [C]
0027	MA673600	BICONE [C] D. 4
0028	MA673500	NUT [C] M10X1
0029	CR1263770	CONDUTTURA GAS PILOTA CUOCIP.FULL GAS
0902	CR1264840	NOZZLE [C] LONG /285
0902	MA1491000	NOZZLE [C] D. 320
0902	MA1631300	NOZZLE [C] D. 165
0902	MA2715100	NOZZLE [C] D. 270
0902	MA2972100	NOZZLE [C] D. 175
0902	MA5152900	NOZZLE [C] D. 310
0902	MA707200	NOZZLE [C] D. 190
0903	MA1883800	SCREW MINIMUM [C] 1.80 GAS TAP 22S
0903	MA1884100	SCREW MINIMUM [C] 1.05 GAS TAP 22S
0904	CR0410100	NOZZLE [C] D. 30
0904	MA1033719700	NOZZLE [C] D. 41 PILOT
0904	MA1874700	NOZZLE [C] D. 25 PILOT