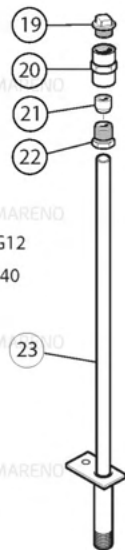


MOD. NXBVAG12  
Cod. CR0592340


TOP  
GAS  
120



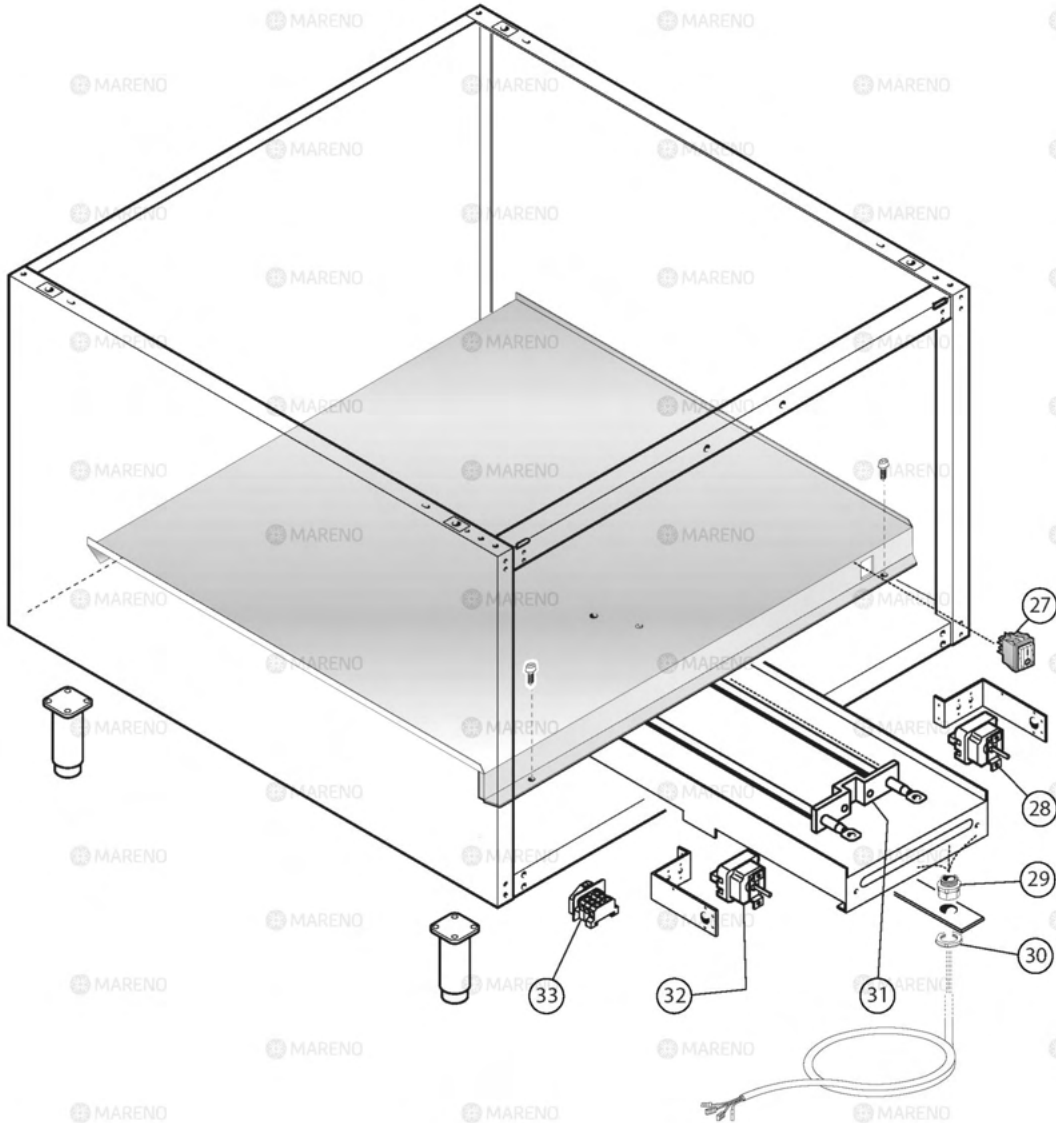
MOD. NXBVAE  
Cod. CR0592360


TOP  
ELE.



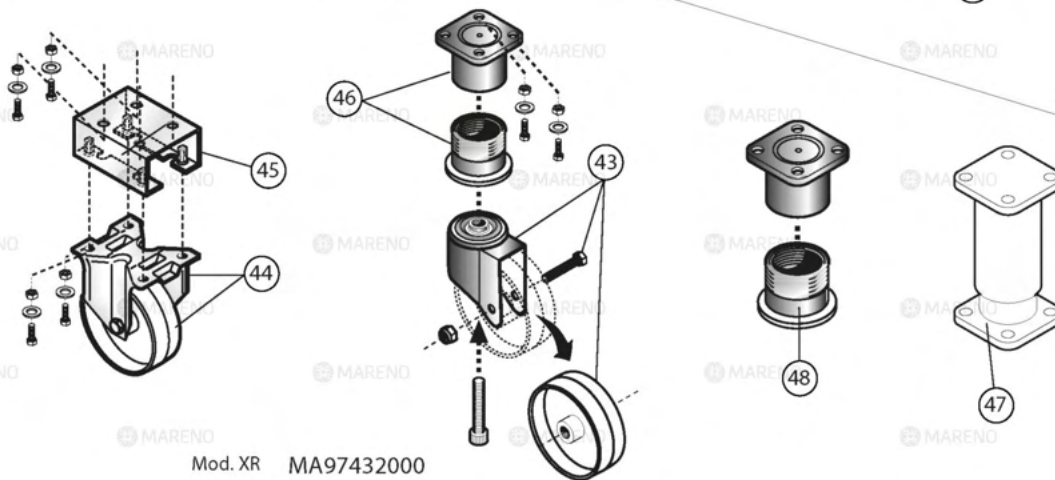
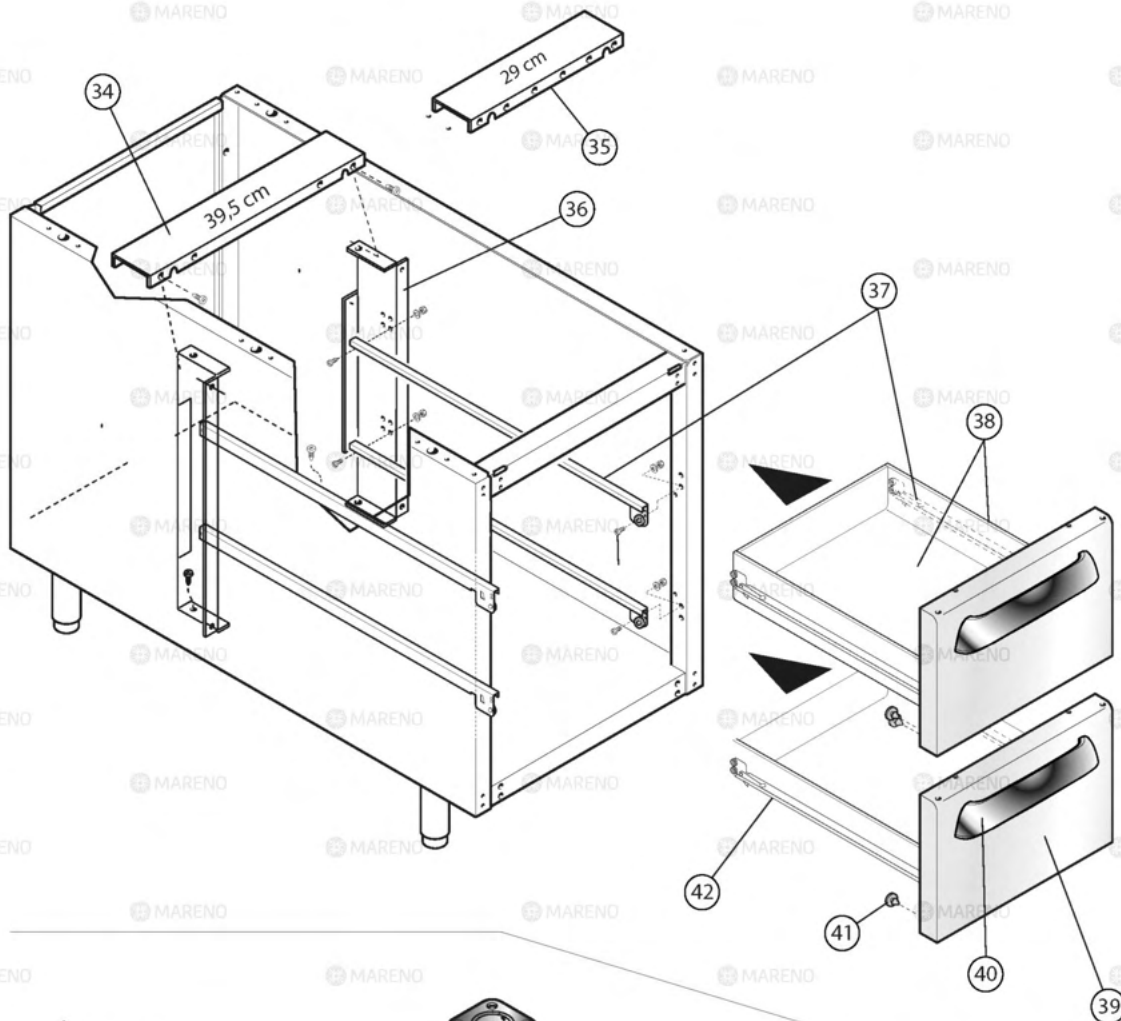
 MARENO ALI spa Mareno di Piave (TV)	<b>COTTURA STAR 70</b>	<b>NBV7</b>	
	<b>BASE VANO</b>		
	<b>3_ST70_080_4_6_8_12_00</b>	<b>0916</b>	<b>Pag. 1/3</b>

Pos	Code	Description
0001	CR0586520	LEFT HINGE [C] FOR SHAFT DOOR
0002	CR0586510	RIGHT HINGE [C] FOR SHAFT DOOR
0003	CR1094600R	HANDLE [C] OVEN STAR
0004	CR1095340	SPACER [C] HANDLE
0005	CR0585600	SCREW [C] 4,8X25
0007	CR0586510	RIGHT HINGE [C] FOR SHAFT DOOR
0008	MA1722300	BUFFER [C]
0009	MA1336900	CAP [C] D. 6,5
0010	CR0587700	MAGNET [C]
0012	CR0586520	LEFT HINGE [C] FOR SHAFT DOOR
0013	MA6086113	FOOT ASSEMBLY [C] H. 200
0014	MACM140300	SPRING [C] TOPS HOOK
0015	MACM119000	PIN [C] TOP HOOK
0016	CR0587980	DADO 1/2 TUBO 14
0017	MACM153600	GUARNIZIONE OR RIF.3056 VITON 13,95X2,62
0018	CR0587990	RAMPA BASE VANO
0019	MA14049999	TAPPO MASCHIO 3/4" FIG.290 GHISA / ZN
0020	CR0588150	MANICOTTO FEMMINA 1/2 - 3/4
0021	MA866200	BICONE [C] D. 18
0022	MA866000	CONNECTOR [C]
0023	CR0588160	RAMPA BASE VANO M120
0024	CR0687060	PROTECTION BALLAST
0025	CR0687070	FAIRLEAD BUSH
0026	MACM144500	COPERTURA CAVO ALIMENTAZIONE




 MARENO ALI spa Mareno di Piave (TV)	<b>COTTURA STAR 70</b>	<b>NXBV7FC</b>	
	<b>FONDO CALDO PER BASE VANO</b>		
	<b>3_ST70_080_4_6_8_12_00</b>	<b>0916</b>	<b>Pag. 2/3</b>

Pos	Code	Description
0027	MA4640500	GREEN LIGHT SWITCH [C]
0028	MA2992800	THERMOSTAT [C]
0029	MA1037114900	FAIRLEAD [C]
0030	MA1037115000	CONTRODADO OBO 116/PG13,5 NY
0031	MA1890500	HEATING ELEMENT [C] 230V OVEN
0032	MA2992800	THERMOSTAT [C]
0033	MA1037112500	TERMINAL [C]
0033	MA1037116100	TERMINAL [C]
0033	MA1037116200	TERMINAL [C]
0033	MA20806399	HANGER [C] TERMINAL
0033	MA21499099	GUIDE [C] OMEGA FE/ZN 35X7,5 L. 2M



Mod. XR MA97432000

 MARENO ALI spa Mareno di Piave (TV)	<b>COTTURA STAR 70</b>		<b>NXBVC</b>	
	<b>ACCESSORI BASE VANO</b>			
	<b>3_ST70_080_4_6_8_12_00</b>		<b>0916</b>	<b>Pag. 3/3</b>

Pos	Code	Description
0034	MACM020703	TRANSOM [C]
0035	MACM068701	PROLUNGA TRAVERSINO REGGIGRIGLIA
0036	MACM020804	UPRIGHT [R] BACKSIDE GRID HOLDER
0037	MA1031006100	RIGHT GUIDE [C] L. 525
0040	CR1094600R	HANDLE [C] OVEN STAR
0041	MA9003000300	BUFFER [C]
0042	MA1031006200	LEFT GUIDE [C] L. 525
0043	MA1966600	CASTOR [C]
0044	MACM291800	CASTOR [C]
0045	MACM291700	SPACER [C] CASTOR
0046	MA1966400	LEVER [C]
0047	CR0592870	KIT PIEDINI ANTI RIBALTAMENTO NXKPA
0048	CR0592860	KIT PIEDINI PER ZOCCOLO IN CEMENTO NXPZM