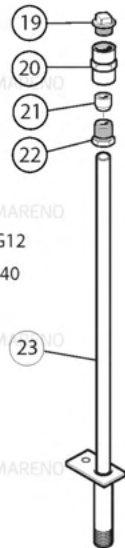


MOD. NXBVAG12
Cod. CR0592340


TOP
GAS
120



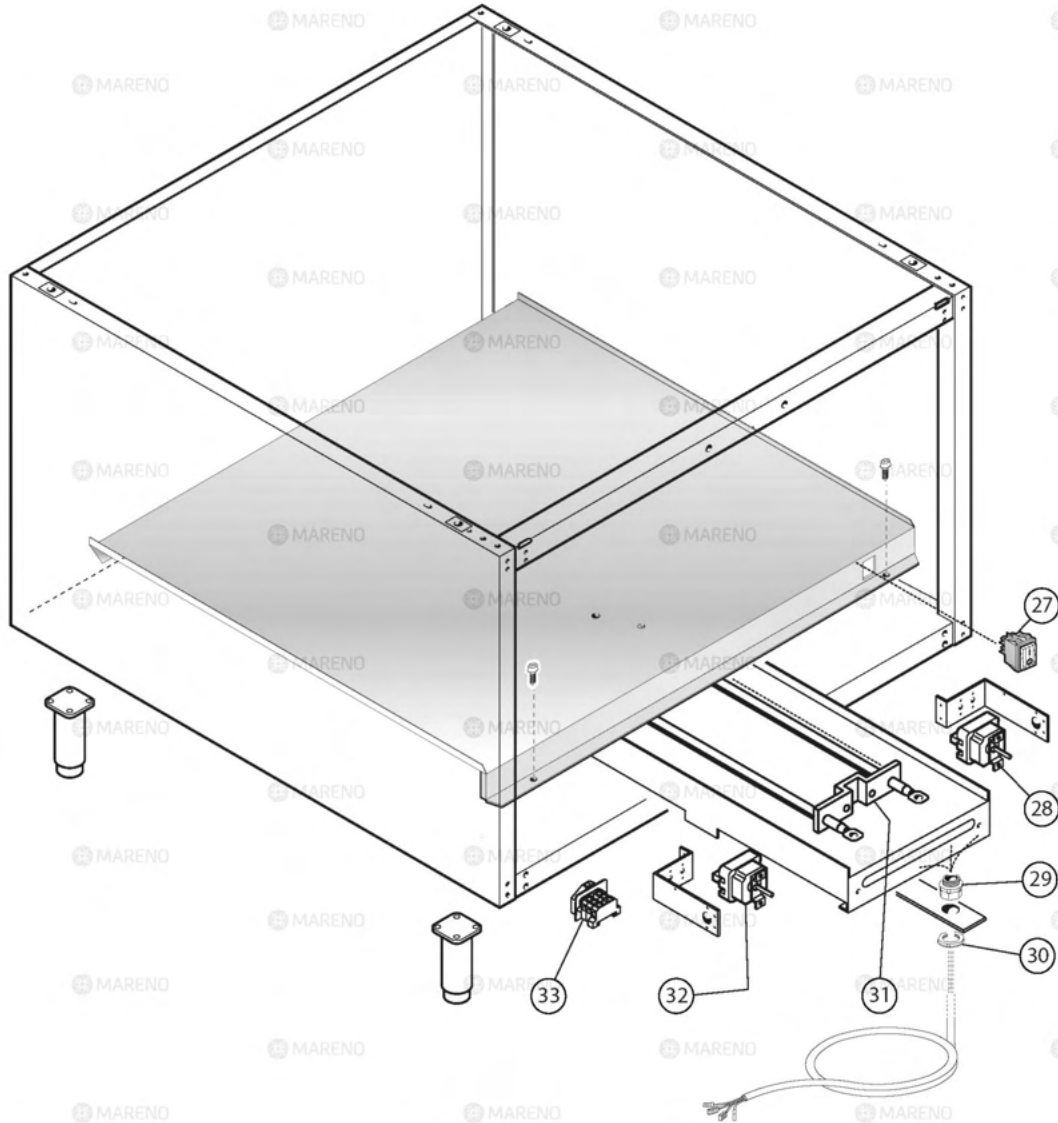
MOD. NXBVAE
Cod. CR0592360


TOP
ELE.



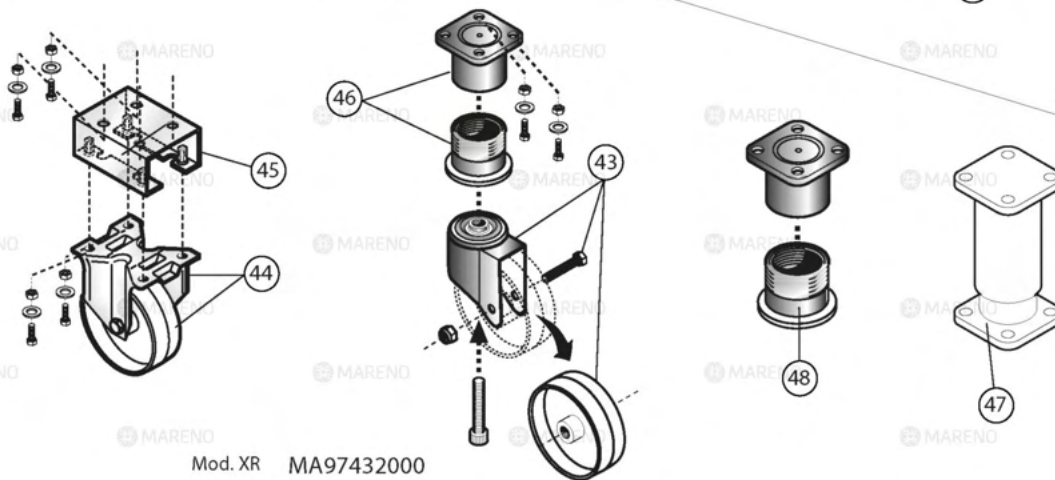
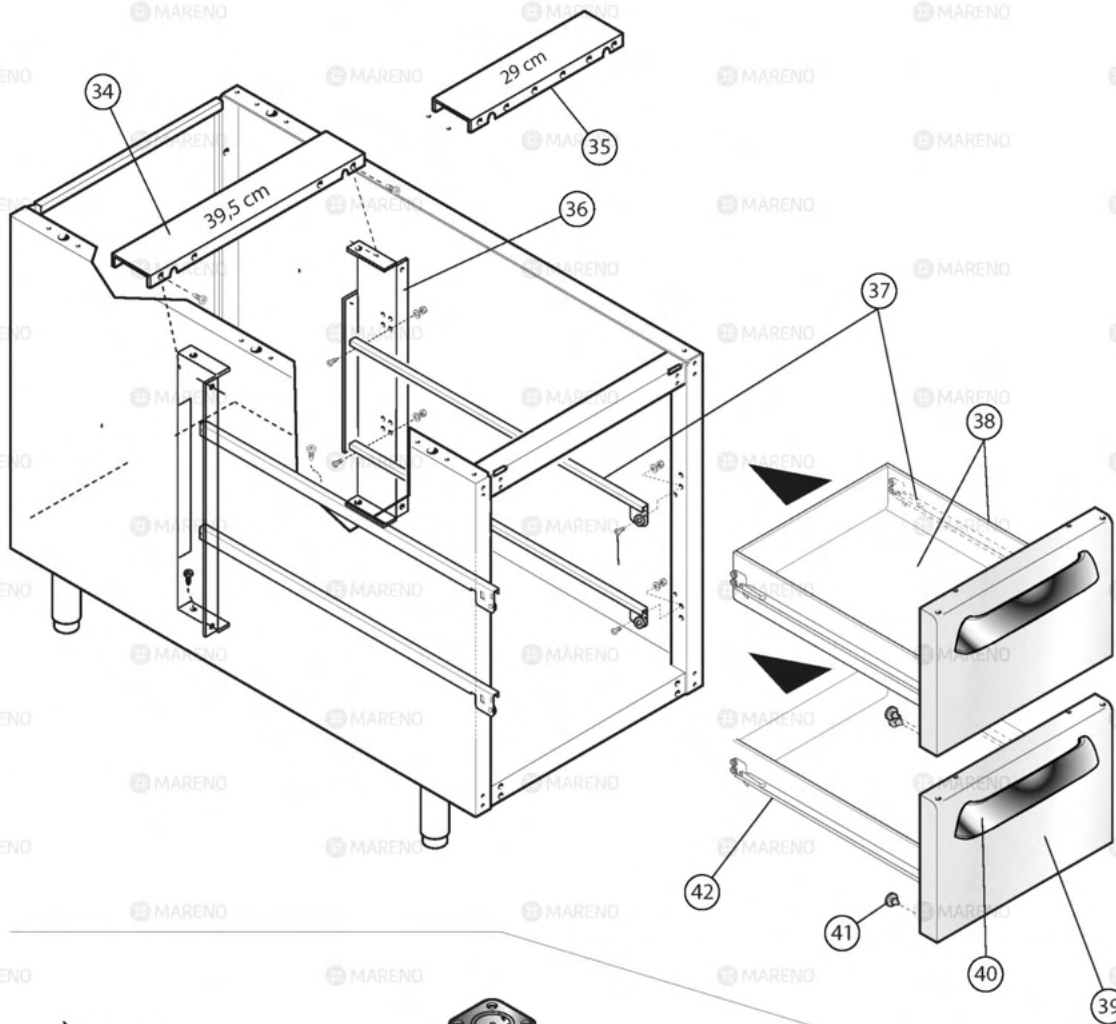
 MARENO ALI spa Mareno di Piave (TV)	COTTURA STAR 70	NBV7	
	BASE VANO		
	3_ST70_080_4_6_8_12_00	0916	Pag. 1/3

Pos	Code	Description
0001	CR0586520	LEFT HINGE [C] FOR SHAFT DOOR
0002	CR0586510	RIGHT HINGE [C] FOR SHAFT DOOR
0003	CR1094600R	HANDLE [C] OVEN STAR
0004	CR1095340	SPACER [C] HANDLE
0005	CR0585600	SCREW [C] 4,8X25
0007	CR0586510	RIGHT HINGE [C] FOR SHAFT DOOR
0008	MA1722300	BUFFER [C]
0009	MA1336900	CAP [C] D. 6,5
0010	CR0587700	MAGNET [C]
0012	CR0586520	LEFT HINGE [C] FOR SHAFT DOOR
0013	MA6086113	FOOT ASSEMBLY [C] H. 200
0014	MACM140300	SPRING [C] TOPS HOOK
0015	MACM119000	PIN [C] TOP HOOK
0016	CR0587980	DADO 1/2 TUBO 14
0017	MACM153600	GUARNIZIONE OR RIF.3056 VITON 13,95X2,62
0018	CR0587990	RAMPA BASE VANO
0019	MA14049999	TAPPO MASCHIO 3/4" FIG.290 GHISA / ZN
0020	CR0588150	MANICOTTO FEMMINA 1/2 - 3/4
0021	MA866200	BICONE [C] D. 18
0022	MA866000	CONNECTOR [C]
0023	CR0588160	RAMPA BASE VANO M120
0024	CR0687060	PROTECTION BALLAST
0025	CR0687070	FAIRLEAD BUSH
0026	MACM144500	COPERTURA CAVO ALIMENTAZIONE




 MARENO ALI spa Mareno di Piave (TV)	COTTURA STAR 70		NXBV7FC	
	FONDO CALDO PER BASE VANO			
	3_ST70_080_4_6_8_12_00		0916	Pag. 2/3

Pos	Code	Description
0027	MA4640500	GREEN LIGHT SWITCH [C]
0028	MA2992800	THERMOSTAT [C]
0029	MA1037114900	FAIRLEAD [C]
0030	MA1037115000	CONTRODADO OBO 116/PG13,5 NY
0031	MA1890500	HEATING ELEMENT [C] 230V OVEN
0032	MA2992800	THERMOSTAT [C]
0033	MA1037112500	TERMINAL [C]
0033	MA1037116100	TERMINAL [C]
0033	MA1037116200	TERMINAL [C]
0033	MA20806399	HANGER [C] TERMINAL
0033	MA21499099	GUIDE [C] OMEGA FE/ZN 35X7,5 L. 2M



Mod. XR MA97432000

 MARENO ALI spa Mareno di Piave (TV)	COTTURA STAR 70		NXBVC	
	ACCESSORI BASE VANO			
	3_ST70_080_4_6_8_12_00		0916	Pag. 3/3

Pos	Code	Description
0034	MACM020703	TRANSOM [C]
0035	MACM068701	PROLUNGA TRAVERSINO REGGIGRIGLIA
0036	MACM020804	UPRIGHT [R] BACKSIDE GRID HOLDER
0037	MA1031006100	RIGHT GUIDE [C] L. 525
0040	CR1094600R	HANDLE [C] OVEN STAR
0041	MA9003000300	BUFFER [C]
0042	MA1031006200	LEFT GUIDE [C] L. 525
0043	MA1966600	CASTOR [C]
0044	MACM291800	CASTOR [C]
0045	MACM291700	SPACER [C] CASTOR
0046	MA1966400	LEVER [C]
0047	CR0592870	KIT PIEDINI ANTI RIBALTAMENTO NXKPA
0048	CR0592860	KIT PIEDINI PER ZOCCOLO IN CEMENTO NXPZM