
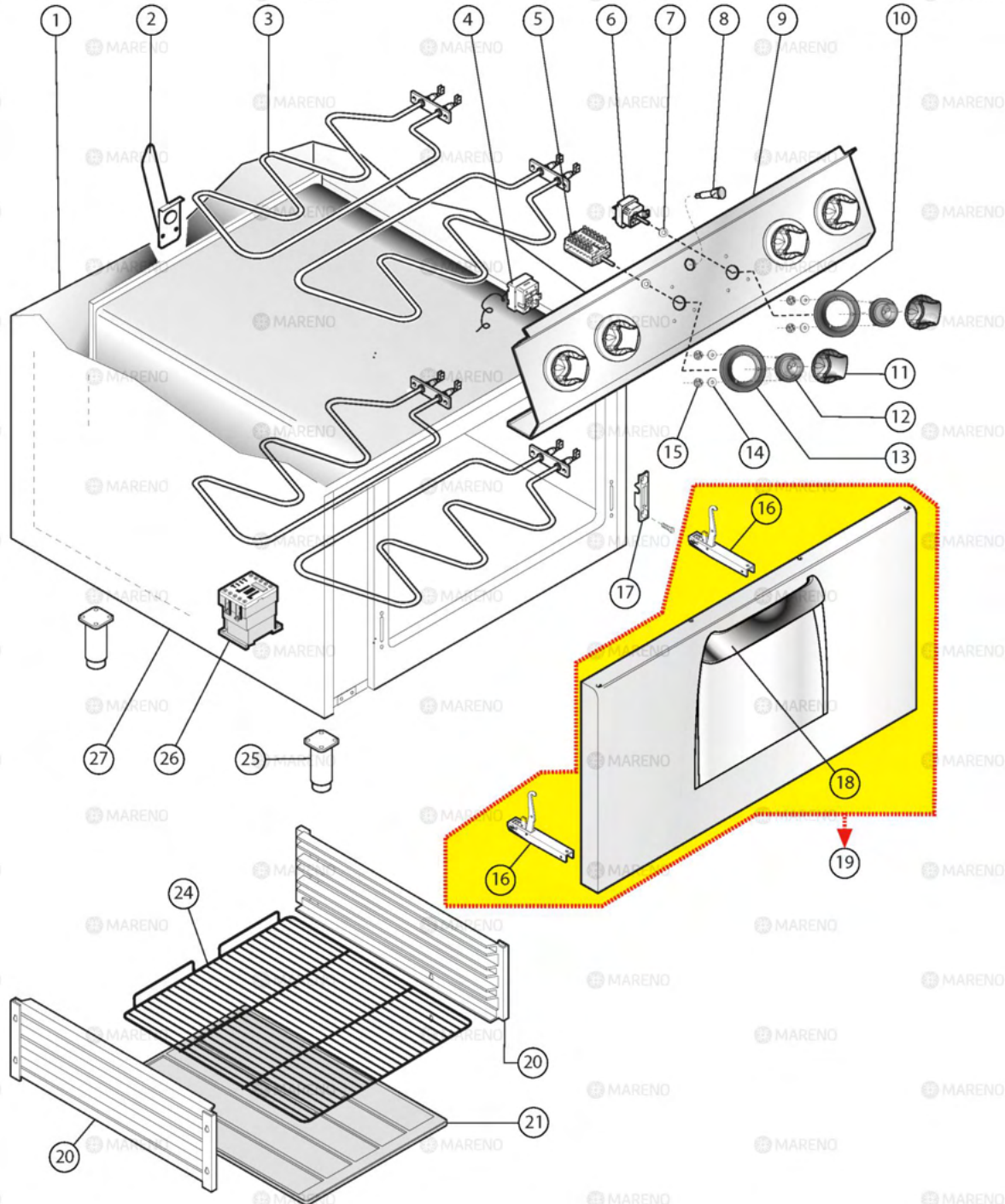



| | | |
|---|---------------------------------------|--------------|
|  MARENO ALI spa Mareno di Piave (TV) | COTTURA STAR 70 | NV78E |
| | PIANO COTTURA IN VETROCERAMICA | |
| | 3_ST70_015_8_00 | 0916 |

| Pos | Code | Description |
|------|--------------|---|
| 0001 | CR0739250 | GLASS CERAMIC PLATE [C] |
| 0002 | CR0580380 | PROTECTION GRID [C] SMOKE DRAIN M60 |
| 0003 | CR0411400 | SILICONE [C] |
| 0004 | CR0791310 | ELECTRIC PLATE [C] 2,5KW |
| 0005 | MACM294000 | SPRING [C] RADIANT ELEMENT |
| 0007 | CR0792750 | CRUSCOTTO PIANO IRRAGG.700 M80 SU FORNO |
| 0008 | CR0682520 | RED PILOT LAMP [C] |
| 0009 | CR1094330 | KNOB [C] SHAFT D. 6 |
| 0010 | CR0935250 | BUSH [C] |
| 0011 | CR0798250 | PLACCA SERIGRAF.ANT.IRRAGGIAMENTO 700 |
| 0011 | CR0798260 | PLACCA SERIGRAF.POST.IRRAGGIAMENTO 700 |
| 0013 | CR0588950 | EXTENSION [C] DRAIN PASTA COOKER 900 |
| 0014 | CR0587500 | ORANGE PILOT LAMP [C] |
| 0015 | MACM293900 | ENERGY REGULATOR [C] |
| 0016 | MA1037112400 | FAIRLEAD [C] |
| 0017 | MA1037114500 | LOCK NUT [C] |
| 0018 | MA1878400 | TERMINAL BLOCK [C] |
| 0019 | CR0588170 | 6 POLES TERMINAL BLOCK [C] 450V |
| 0020 | CR0733030 | ELECTRIC NOISE FILTER [C] |
| 0021 | CR0792810 | PILOT LAMP [C] |
| 0022 | CR0791300 | TRAVERSINO SUPPORTO ELEMENTI RADIANTI |



| | | | | |
|---|------------------------|--|----------------|-----------------|
|  MARENO ALI spa Mareno di Piave (TV) | COTTURA STAR 70 | | NC7FE8G | |
| | FORNO ELETTRICO | | | |
| | 3_ST70_005_8_00 | | 0916 | Pag. 1.1 |

| Pos | Code | Description |
|------|--------------|--------------------------------------|
| 0002 | CR0730550 | ASS. SCARICO CONDENSA FORNO EL.700 |
| 0003 | CR0681390 | HEATING ELEMENT [C] OVEN 900 |
| 0004 | MA1878500 | THERMOSTAT [C] 360Â°C |
| 0005 | MA1309000 | COMMUTATOR [C] |
| 0006 | MA1309115 | THERMOSTAT [C] 0-300Â°C |
| 0008 | MA1037300910 | ORANGE PILOT LAMP [C] |
| 0010 | CR0584020 | METAL LABEL [C] |
| 0011 | CR1094330 | KNOB [C] SHAFT D. 6 |
| 0012 | CR0935250 | BUSH [C] |
| 0013 | CR0682861 | METAL LABEL [C] |
| 0015 | CR0588950 | EXTENSION [C] DRAIN PASTA COOKER 900 |
| 0016 | MACM041300 | HINGE [C] FOR OVEN DOOR |
| 0017 | MA1304500 | BRACKET [C] ROLLER HOLDER |
| 0018 | CR1094600R | HANDLE [C] OVEN STAR |
| 0019 | CR1093580R | DOOR [C] OVEN 700 STAR |
| 0020 | CR0730210 | SUPPORT [C] GRIDS OVEN 700 |
| 0021 | CR0975150 | BOTTOM [C] |
| 0024 | MA2306800 | SHELF GRID [C] GN 2/1 |
| 0025 | MA6086113 | FOOT ASSEMBLY [C] H. 200 |
| 0027 | CR0689040 | LEFT SIDE PANEL [C] MONOBLOCK 700 |