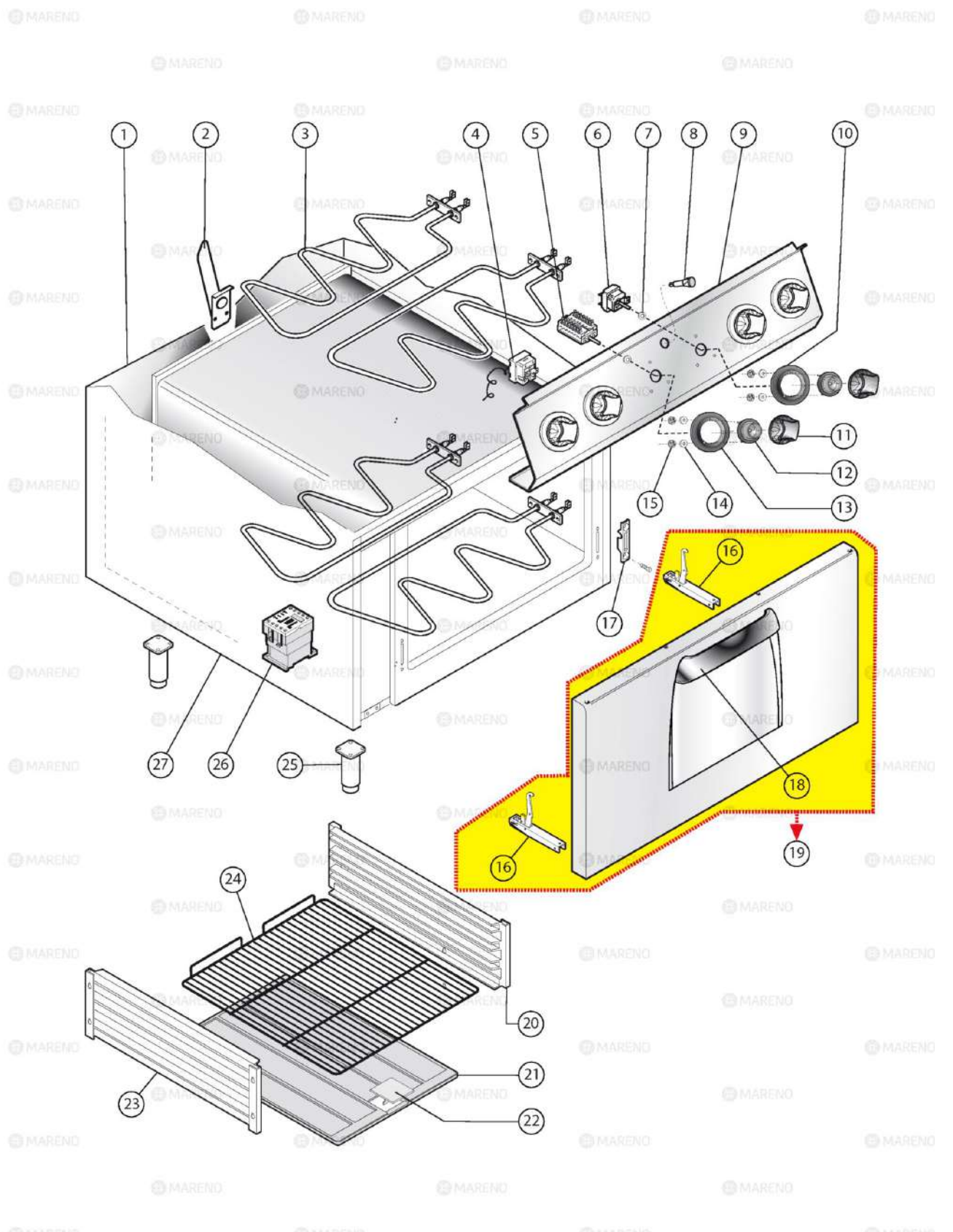

 MARENO ALI spa Mareno di Piave (TV)	COTTURA STAR 90		NCT98E	
	TUTTAPIASTRA ELETTRICO			
	3_ST90_015_8_00		0916	Pag. 1.1

Pos	Code	Description
0001	CR0689310	COOKING PLATE [C] SOLID TOPS ELECTRIC RANGE S90
0002	MACM294000	SPRING [C] RADIANT ELEMENT
0003	MA2582900	UPPER PIN [C] DOOR PROFILE
0005	CR0841170	THERMAL SWITCH [C]
0006	MA1037100400	3 POLES TERMINAL BLOCK [C]
0007	MACM303000	FAN [C]
0008	CR0732010	FAN SUPPORT [C] NCT9
0010	CR0683230	METAL LABEL [C]
0011	CR0935250	BUSH [C]
0012	CR1094330	KNOB [C] SHAFT D. 6
0013	CR0683240	METAL LABEL [C]
0015	CR0588950	EXTENSION [C] DRAIN PASTA COOKER 900
0016	CR0587500	ORANGE PILOT LAMP [C]
0017	CR0682520	RED PILOT LAMP [C]
0019	MA710300	SWITCH [C]
0020	MA1988500	HANGER [C]
0021	CR0734520	THERMOSTAT [C] 50Â°-450Â°C
0022	CR0688660	SQUARED ELECTRIC PLATE [C] 4KW 300X300
0023	CR0681750R	PIPE [C] D. 30X70CM
0024	MA1033504000	CLAMP [C]
0025	CR0580380	PROTECTION GRID [C] SMOKE DRAIN M60



 MARENO ALI spa Mareno di Piave (TV)	COTTURA STAR 90		NC9FE8G	
	FORNO ELETTRICO			
	3_ST90_006_8_00		0916	Pag. 1.1

Pos	Code	Description
0002	CR0586470	ASS.SCARICO CONDENSA FORNO EL.900
0003	CR0681390	HEATING ELEMENT [C] OVEN 900
0004	MA1878500	THERMOSTAT [C] 360Â°C
0005	MA1309000	COMMUTATOR [C]
0006	MA1309115	THERMOSTAT [C] 0-300Â°C
0008	MA1037300910	ORANGE PILOT LAMP [C]
0010	CR0584020	METAL LABEL [C]
0011	CR1094330	KNOB [C] SHAFT D. 6
0012	CR0935250	BUSH [C]
0013	CR0682861	METAL LABEL [C]
0015	CR0588950	EXTENSION [C] DRAIN PASTA COOKER 900
0016	MACM041300	HINGE [C] FOR OVEN DOOR
0017	MA1304500	BRACKET [C] ROLLER HOLDER
0018	CR1094600R	HANDLE [C] OVEN STAR
0019	CR1093610	GRUPPO PORTA FORNO 900 STAR
0020	CR0580250	SUPPORT [C] GRID OVEN 900
0021	CR0580000	BOTTOM [C]
0022	CR0581050	COVER [C] OVEN
0023	CR0580250	SUPPORT [C] GRID OVEN 900
0024	MA2306800	SHELF GRID [C] GN 2/1
0025	MA6086113	FOOT ASSEMBLY [C] H. 200
0026	MACM187301	CONTACTOR [C]
0027	CR0585520	LEFT SIDE PANEL [C] MONOBLOCK 900