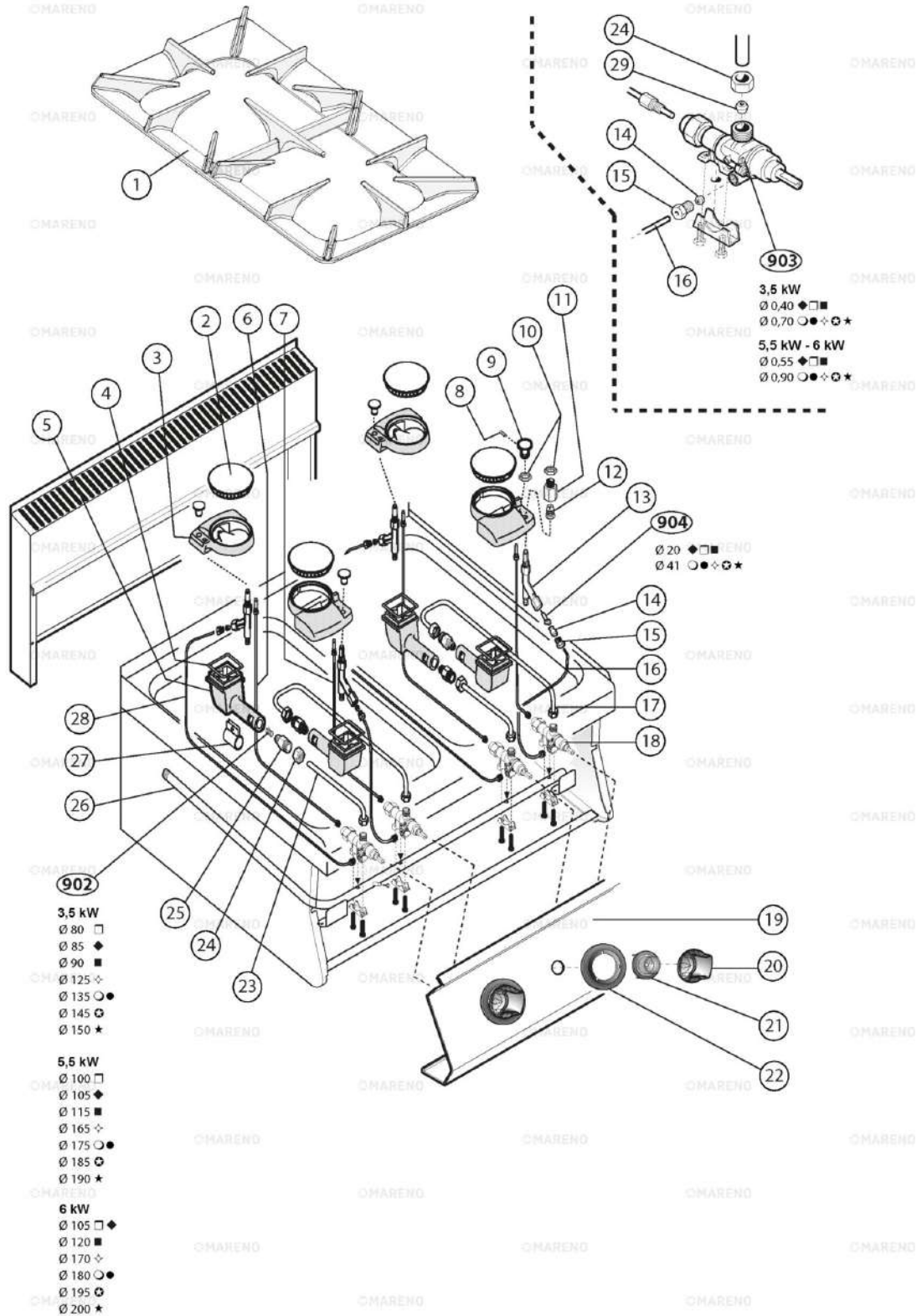



ID GAS: □ G30/50   ● G30/37   ■ G30/29   ○ G20/20   ◇ G20/25   ● G25/25   ⊕ G25.1/25   ★ G25/20   ✦ G120/8   ⊙ G110/8

 MARENO ALI spa Mareno di Piave (TV)	<b>COTTURA STAR 60</b>		<b>C6FEV</b>	
	<b>FORNO ELETTRICO VENTILATO</b>			
	<b>3_ST60_006_7_00</b>		<b>0916</b>	<b>Pag. 1</b>

Pos	Code	Description
0001	CR1094330	KNOB [C] SHAFT D. 6
0002	CR0935250	BUSH [C]
0003	CR0682861	METAL LABEL [C]
0004	CR0588510	GASKET [C] CONTROL PANEL 900
0005	CR0588950	EXTENSION [C] DRAIN PASTA COOKER 900
0006	CR0584020	METAL LABEL [C]
0007	CR0587500	ORANGE PILOT LAMP [C] $\tilde{A}$ 13,5MM 230V
0008	CR0587650	GASKET [C] SHAFT
0009	MA1309115	THERMOSTAT [C] 0-300 $\hat{A}$ °C
0010	MA1309000	COMMUTATOR [C]
0011	MA1878500	THERMOSTAT [C] 360 $\hat{A}$ °C
0012	CR0932670	HEATING ELEMENT [C] OVEN 60
0013	MA6086200	FOOT ASSEMBLY [C] H. 200
0014	CR0932670	HEATING ELEMENT [C] OVEN 60
0015	CR0932691	REGGIGRIGLIA FORNO 60
0016	CR0932451	SUPPORTO REGGIGRIGLIA FORNO 60
0017	CR1479370	GUARNIZIONE FORNO 60 ( THERMIC-60-HT/T )
0018	MA1304500	BRACKET [C] ROLLER HOLDER
0019	CR0934850	HINGE [C] FOR OVEN DOOR 60
0020	CR0932710	SUOLA FORNO 60
0021	CR0932700	CHROMIUM-PLATED SHELF GRID [C] OVEN 60
0022	MA4640500	GREEN LIGHT SWITCH [C]
0023	MA4330800	FAN [C]
0024	CR0932640	PROTEZIONE ESTERNA MOTOVENTIL. FORNO



ID GAS: □ G30/50 ◆ G30/37 ■ G30/29 ○ G20/20 ◇ G20/25 ● G25/25 ◊ G25.1/25 ★ G25/20 ✦ G120/8 ⊗ G110/8

 MARENO ALI spa Mareno di Piave (TV)	<b>COTTURA STAR 60</b>		<b>C67G</b>	
	<b>PIANO COTTURA A GAS FUOCHI APERTI</b>			
	<b>3_ST60_002_7_00</b>		<b>0916</b>	<b>Pag. 1</b>

Pos	Code	Description
0001	MA1032101001	COOKING GRID [C] TOP 400 PCG-41
0002	CR0937570	BURNER CAP Ã~ 95MM [C] 5,5KW
0006	MA90520	THERMOCOUPLE [C] M9X1 L=600
0007	MA641900	THERMOCOUPLE [C] L. 400
0008	MA15119399	GRAIN [C]
0009	MA1033717300R	CAP [C]
0010	MA1033514900	NUT [C] M10X1
0011	MA1033717000	NIPPLE [C]
0012	MA1891700	CONNECTOR [C] THERMOCOUPLE
0013	MA1032501300	VENTURI TUBE [C]
0014	MA673600	BICONE [C] D. 4
0015	MA673500	NUT [C] M10X1
0016	MA1033113500	PIPE [C] CCG62 FRONT PILOT
0017	MA1033113300	CONDUTTURA GAS ANT.CCG6230 SILKO
0018	CR1226060	RUBINETTO GAS ALPHABRASS A60S
0020	CR1094340	KNOB [C] SHAFT D. 8
0021	CR0935250	BUSH [C]
0022	CR0583980	METAL LABEL [C]
0022	CR0583990	METAL LABEL [C]
0023	MA1033113100	CONDUTTURA GAS POST.CCG6230 SILKO
0024	MA1326500	NUT [C] M16X1,5
0025	MA1033717200	NOZZLE HOLDER [C]
0027	MA1044229212	AIR REGULATOR [C]
0028	MA1033108300	PIPE [C] BACK PILOT TOP 600
0029	MA86720	BICONE [C] D. 10
0902	MA520911	NOZZLE [C] D. 80
0902	MA521011	NOZZLE [C] D. 85
0902	MA521111	NOZZLE [C] D. 90
0902	MA521311	NOZZLE [C] D. 100
0902	MA521411	NOZZLE [C] D. 105
0902	MA521611	NOZZLE [C] D. 115
0902	MA521711	NOZZLE [C] D. 120
0902	MA521811	NOZZLE [C] D. 125
0902	MA522011	NOZZLE [C] D. 135
0902	MA522211	NOZZLE [C] D. 145
0902	MA522311	NOZZLE [C] D. 150
0902	MA522611	NOZZLE [C] D. 165
0902	MA522711	NOZZLE [C] D. 170
0902	MA522811	NOZZLE [C] D. 175
0902	MA522911	NOZZLE [C] D. 180
0902	MA523011	NOZZLE [C] D. 185
0902	MA523111	NOZZLE [C] D. 190
0902	MA523211	NOZZLE [C] D. 195
0902	MA523311	NOZZLE [C] D. 200
0903	BN6A023721	BYPASS [C] D. 70 TAP 21S
0903	BN822450260	BYPASS [C] D. 90 TAP 21S
0903	MA1033719900	SCREW [C]

Pos	Code	Description
0903	MA1033720000	SCREW MINIMUM [C] 0.55 GAS TAP 21S
0904	MA1033719600	NOZZLE [C] D. 20 PILOT - min. 10 pcs or multiples
0904	MA1033719700	NOZZLE [C] D. 41 PILOT - min. 10 pcs or multiples