

Tab.902

- Ø 65mm - 4kW
- Ø 90K □
- Ø 100K ■
- Ø 150K ○
- Ø 165K *

Ø 65mm - 1,5/6 kW

- Ø 105 □
- Ø 115 ◆
- Ø 120 ■
- Ø 180R <
- Ø 195R ●
- Ø 195K ○
- Ø 215R *
- Ø 320 ◆
- Ø 350 ○

Ø 100 mm - 6/10 kW

- Ø 140 □
- Ø 150 ◆
- Ø 160 ■
- Ø 240R <
- Ø 260R ○
- Ø 260K ○
- Ø 285R *
- Ø 440 ◆
- Ø 480 ○

Tab.903

- Ø 65 mm - 4 kW
- Ø 0,65 □
- Ø 0,90 ○*

Ø 65 mm - 1,5/6 kW

- Ø 0,65 ◆□
- Ø 0,90 ○◆○*


Ø 100 mm - 6/10 kW

- Ø 0,90 ◆□
- Ø 1,30 ○◆○*

Tab. 904

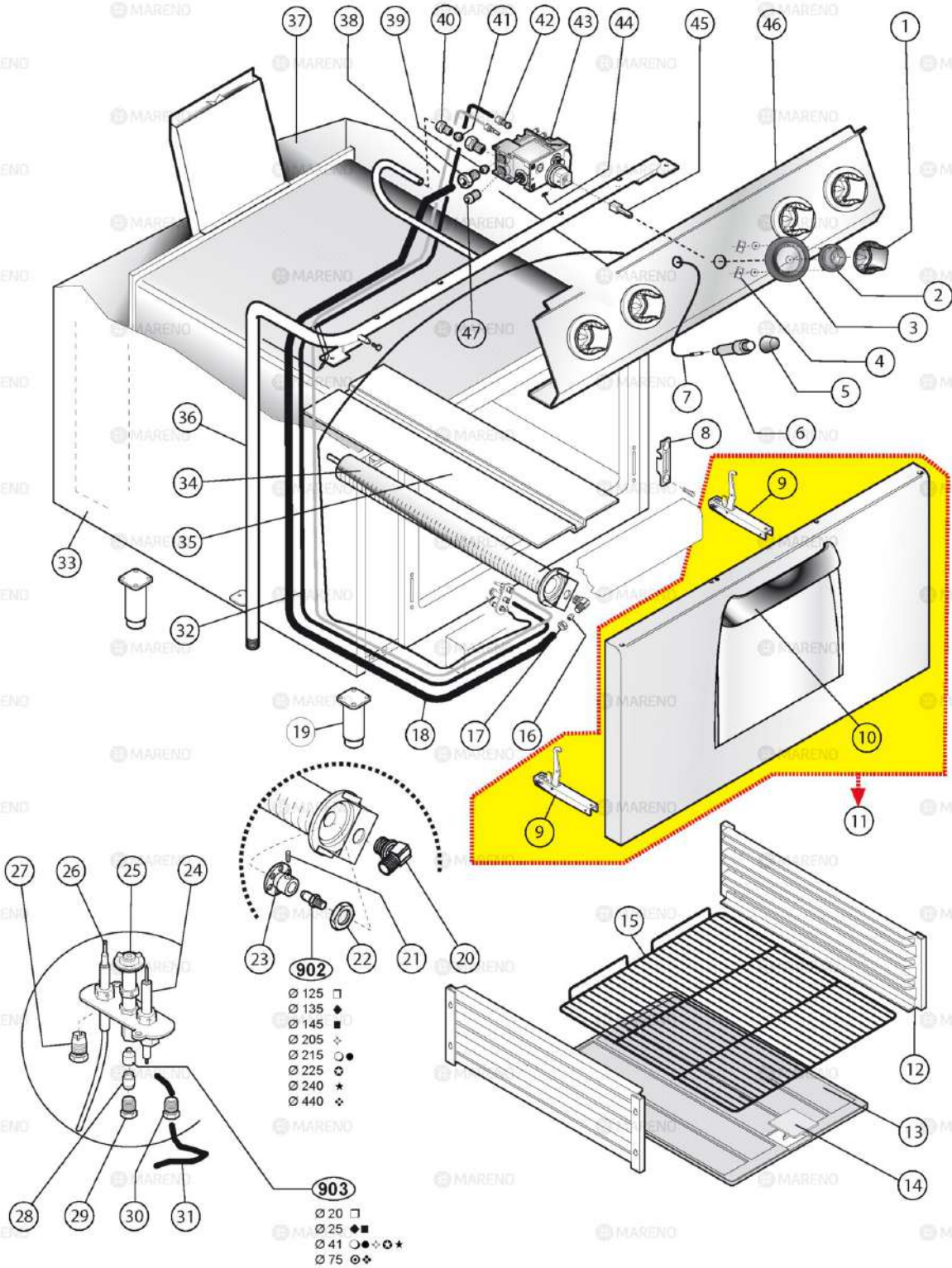
- Ø 20 ◆□
- Ø 41 ○◆○*
- Ø 75 ○◆

ID GAS: □ G30/50 ◆ G30/37 ■ G30/29 ○ G20/20 ◆ G20/25 ● G25/25 ○ G25.1/25 * G25/20 ◆ G120/8 ○ G110/8

 MARENO ALI spa Mareno di Piave (TV)	COTTURA STAR 90		NC9FG16G72	
	PIANO COTTURA GAS E FUOCHI APERTI			
	3_ST90_005_16_00		0916	Pag. 1.1

Pos	Code	Description
0001	CR0580080	SHELF GRID [C]
0002	CR0580070	CAST IRON PAN SUPPORT GRID [C] 900
0003	CR0580010	FLAME SPREADER [C] D. 65
0004	CR0580020	FLAME SPREADER [C] D. 100
0005	CR0580030	BURNER [C] 65
0006	CR0580040	BURNER [C] 100
0007	CR0586442R	VENTURI TUBE [C] 65
0008	CR0586452R	VENTURI TUBE [C] 100
0009	SI8204760	GASKET [C] BURNER VENTURI TUBE
0010	CR0687080	IGNITOR [C]
0011	MA1888400	CONNECTOR [C] IGNITOR CLAMPING
0012	MACM029100	THERMOCOUPLE [C] L 850
0013	MA1891700	CONNECTOR [C] THERMOCOUPLE
0014	CR1162340	CONNECTOR [C] NOZZLE HOLDER VENTURI TUBE
0015	CR1162350	NUT [C] M10X0,75
0016	CR1162360	BICONE [C]
0017	MA673600	BICONE [C] D. 4
0018	MA673500	NUT [C] M10X1
0019	CR0581700	NOZZLE HOLDER [C]
0020	MA459500	CONNECTOR [C]
0021	MA86720	BICONE [C] D. 10
0022	CR0580570	PIPE [C] GAS RANGE 900 5GG FRONT BURNER
0023	CR0580560	PIPE [C] GAS RANGE 900 5GG REAR BURNER
0024	CR0580601	PIPE [C] GAS RANGE 900 5GG PILOT-FRONT BURNER
0025	CR0580611	PIPE [C] GAS RANGE 900 5GG PILOT-REAR BURNER
0027	MA1326500	NUT [C] M16X1,5
0028	MA86720	BICONE [C] D. 10
0029	CR0580450	GAS TAP [C]
0030	CR0580270	RAMPA CUCINE MONOBLOCCO M80
0031	CR0687660	CRUSCOTTO CUCINE GAS FORNO GAS M160
0032	CR1094340	KNOB [C] SHAFT D. 8
0033	CR0935250	BUSH [C]
0034	CR0583980	METAL LABEL [C]
0034	CR0583990	METAL LABEL [C]
0035	MACM136000	PROTECTION [C] PIEZO UNIT
0036	MA1936100	PIEZO IGNITOR [C]
0037	CR0688770	IGNITOR CABLE [C]
0038	CR0585540	CAP [C]
0039	CR0580640	PROTECTION GRID [C] SMOKE DRAIN M40
0902	CR0586770	NOZZLE [C] D. 195R
0902	CR0586780	NOZZLE [C] D. 215R
0902	CR0586790	NOZZLE [C] D. 240R
0902	CR0586800	NOZZLE [C] D. 260R
0902	CR0586810	NOZZLE [C] D. 285R
0902	CR0586820	NOZZLE [C] D. 240R
0902	CR0586830	NOZZLE [C] D. 260K
0902	CR0938460	NOZZLE [C] D. 180

Pos	Code	Description
0902	CR1075150	NOZZLE [C]
0902	CR1075160	NOZZLE [C]
0902	CR1075170	NOZZLE [C] DOUBLE F/100K
0902	CR1075180	UGELLO CORTO RALLENTATO DOPPIO F./165K
0902	MA521411	NOZZLE [C] D. 105
0902	MA521611	NOZZLE [C] D. 115
0902	MA521711	NOZZLE [C] D. 120
0902	MA522111	NOZZLE [C] D. 140
0902	MA522311	NOZZLE [C] D. 150
0902	MA522511	NOZZLE [C] D. 160
0902	MA525411	UGELLO CORTO /215
0902	MA525711	NOZZLE [C] D. 350
0902	MA526611	NOZZLE [C] 440
0902	MA527011	NOZZLE [C] D. 480
0903	BN822450260	BYPASS [C] D. 90 TAP 21S
0903	CR0586840	SCREW MINIMUM [C] 0.65 GAS TAP 21S
0903	MA1889200	SCREW MINIMUM [C] 1.30 GAS TAP 21S
0904	MA1033719600	NOZZLE [C] D. 20 PILOT
0904	MA1033719700	NOZZLE [C] D. 41 PILOT
0904	MA1033719800	NOZZLE [C] D. 75 PILOT



ID GAS: □ G30/50 ◆ G30/37 ■ G30/29 ○ G20/20 ◇ G20/25 ● G25/25 ⊗ G25.1/25 ★ G25/20 ✦ G120/8 ⊙ G110/8

 MARENO ALI spa Mareno di Piave (TV)	COTTURA STAR 90		NC9FG8G	
	FORNO A GAS			
	3_ST90_004_8_00		0916	Pag. 1.1

Pos	Code	Description
0001	CR1094360	KNOB [C] VALVE D. 10
0002	CR0935250	BUSH [C]
0003	CR0584000	METAL LABEL [C]
0004	CR0588950	EXTENSION [C] DRAIN PASTA COOKER 900
0005	MACM136000	PROTECTION [C] PIEZO UNIT
0006	MA1936100	PIEZO IGNITOR [C]
0007	MA1950324	IGNITOR CABLE SET [C] L. 1200
0008	MA1304500	BRACKET [C] ROLLER HOLDER
0009	MACM041300	HINGE [C] FOR OVEN DOOR
0010	CR1094600R	HANDLE [C] OVEN STAR
0011	CR1093610	GRUPPO PORTA FORNO 900 STAR
0012	CR0580250	SUPPORT [C] GRID OVEN 900
0013	CR0580000	BOTTOM [C]
0014	CR0581050	COVER [C] OVEN
0015	MA2306800	SHELF GRID [C] GN 2/1
0016	MA86720	BICONE [C] D. 10
0017	MA1326500	NUT [C] M16X1,5
0018	CR0580370	PIPE [C] OVEN PILOT-BURNER
0019	MA6086113	FOOT ASSEMBLY [C] H. 200
0020	MACM021700	NOZZLE HOLDER [C]
0021	MACM040400	GRAIN [C]
0022	MA1033700200	NUT [C] M14X1
0023	MACM020409	AERATOR [C]
0024	MA1888300	IGNITOR [C]
0025	MACM040800	PILOT [C]
0026	MA263800	THERMOCOUPLE [C] L. 1200
0027	MA1891700	CONNECTOR [C] THERMOCOUPLE
0028	MA673600	BICONE [C] D. 4
0029	MA673500	NUT [C] M10X1
0030	MA1888400	CONNECTOR [C] IGNITOR CLAMPING
0031	MA1950324	IGNITOR CABLE SET [C] L. 1200
0032	CR0580310	PIPE [C] OVEN BURNER
0033	CR0585520	LEFT SIDE PANEL [C] MONOBLOCK 900
0034	CR0585590	BURNER [C] OVEN 900
0035	CR0580400	FLAME PROTECTION OVEN [C] 900
0036	CR0580270	RAMPA CUCINE MONOBLOCCO M80
0037	CR0687670	SCHIENALE MONOBLOCCO M160
0038	MA459300	CONNECTOR [C] PIPE /12
0039	MA417810	BICONE [C] D. 12
0040	MA459300	CONNECTOR [C] PIPE /12
0041	MA417810	BICONE [C] D. 12
0042	MA1394700	BICONE CONNECTOR D. 4MM
0043	CR0585671	VALVE [C]
0044	MA15119299	GRAIN [C]
0045	CR0797310	KNOB JOINT [C]
0046	CR0687660	CRUSCOTTO CUCINE GAS FORNO GAS M160
0047	MA1888200	CAP [C]

Pos	Code	Description
0902	CR0737210	NOZZLE [C] D. 225
0902	MA1513000	NOZZLE [C] D. 125
0902	MA1931300	NOZZLE [C] D. 205
0902	MA2715400	NOZZLE [C] D. 135
0902	MA2902500	NOZZLE [C] D. 145
0902	MA5152800	NOZZLE [C] D. 440
0902	MA5164700	NOZZLE [C] D. 215
0902	MA795900	NOZZLE [C] D. 240
0902	MA796000	NOZZLE [C] D. 480
0903	MA1033719600	NOZZLE [C] D. 20 PILOT
0903	MA1033719700	NOZZLE [C] D. 41 PILOT
0903	MA1874700	NOZZLE [C] D. 25 PILOT