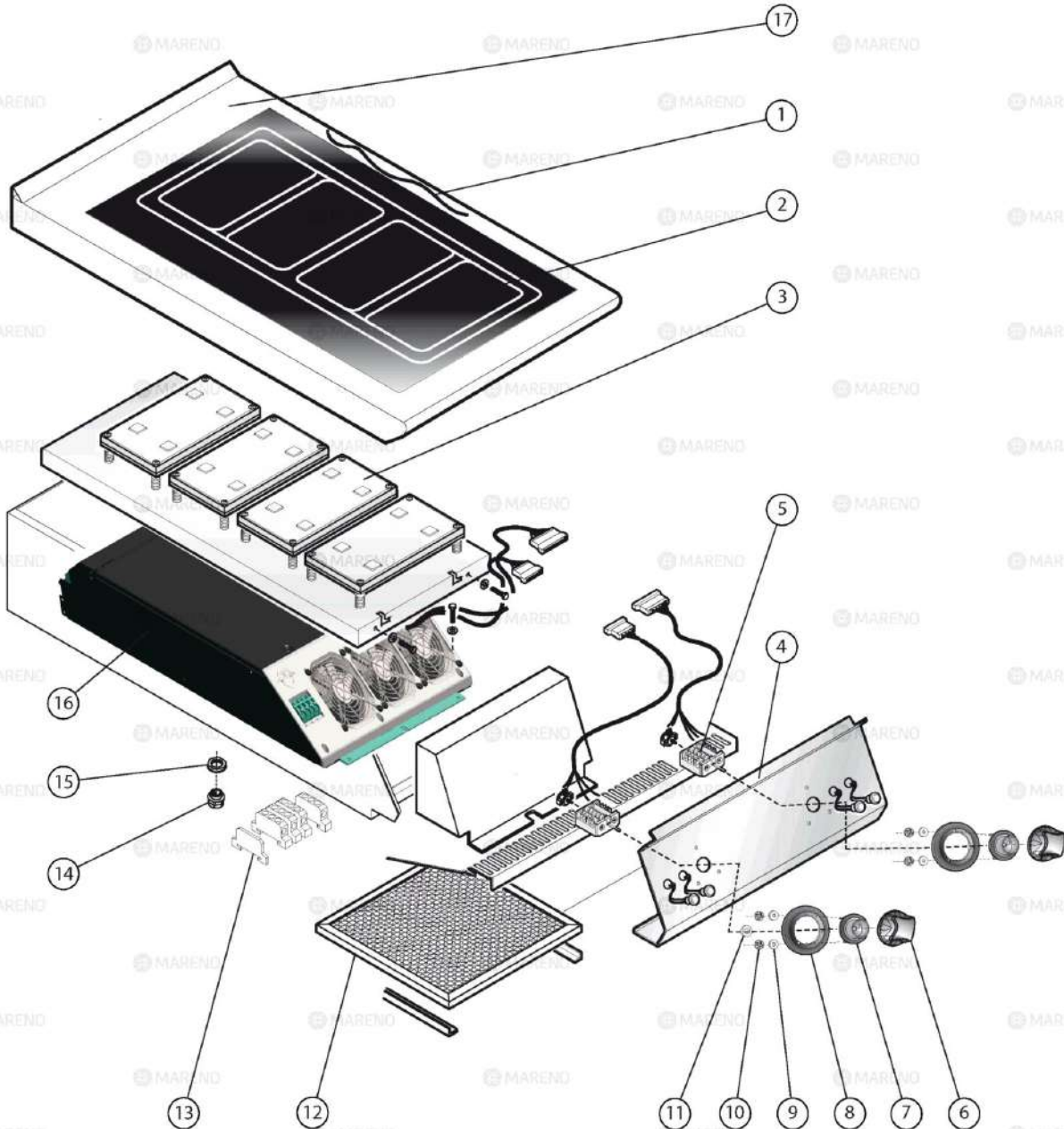

 MARENO ALI srl Mareno di Piave (TV)	COTTURA STAR 90		NIT94TE	
	PIANO COTTURA AD INDUZIONE "TUTTOCAMPO"			
	3_ST90_019_4_01		0916	Pag. 1.1

Pos	Code	Description
0001	CR1097440	SHELF [C] 900 M40
0002	CR0411400	SILICONE [C]
0003	CR0506420	GASKET [C] 10X3
0003	CR1097440	SHELF [C] 900 M40
0004	CR1225370	L-KNOB CABLE [C]
0005	CR1225360	L-KNOB CABLE [C]
0006	CR1225390	ENERGY REGULATOR [C]
0007	CR0683091	CRUSCOTTO NI9-4E
0008	CR1094330	KNOB [C] SHAFT D. 6
0009	CR0935250	BUSH [C]
0010	CR0585801	METAL LABEL [C]
0010	CR0585811	METAL LABEL [C]
0011	CR0588510	GASKET [C] CONTROL PANEL 900
0012	MA15860399	FLANGE [C]
0013	CR1225380	CABLE [C]
0014	CR0798590	AIR FILTER [C] INDUCTION TOP
0015	MA20802499	TERMINAL [C] 16MM
0015	MA20802899	TERMINAL [C] 16MM
0016	MA1037115200	LOCK NUT [C]
0017	MA1037115100	FAIRLEAD [C] V-TEC PG16
0018	CR0798641RIG	78.99140.124-00 generatore 4x 3,5 kW
0019	CR0798651	INDUCTOR [C]



 MARENO ALI spa Mareno di Piave (TV)	COTTURA STAR 90	NITC94TE
	PIANO COTTURA INDUZIONE TUTTOCAMPO	
	3_ST90_019_4_00	0916

Pos	Code	Description
0001	CR0411400	SILICONE [C]
0002	CR0798621	GLASS CERAMIC PLATE [C] INDUCTION 900 M40
0003	CR0798651	INDUCTOR [C]
0004	CR0683091	CRUSCOTTO NI9-4E
0005	CR0737320	COMMAND [C]
0005	CR1225390	ENERGY REGULATOR [C]
0006	CR1094330	KNOB [C] SHAFT D. 6
0007	CR0935250	BUSH [C]
0008	CR0585801	METAL LABEL [C]
0008	CR0585811	METAL LABEL [C]
0009	CR0588510	GASKET [C] CONTROL PANEL 900
0010	MA15860399	FLANGE [C]
0011	CR0587650	GASKET [C] SHAFT
0012	CR0798590	AIR FILTER [C] INDUCTION TOP
0013	MA20802499	TERMINAL [C] 16MM
0013	MA20802899	TERMINAL [C] 16MM
0014	MA1037114500	LOCK NUT [C]
0014	MA1037115300	FAIRLEAD [C] V-TEC PG29
0015	MA1037112400	FAIRLEAD [C]
0015	MA1037115400	LOCK NUT [C]
0016	CR0798641RIG	78.99140.124-00 generatore 4x 3,5 kW
0017	CR1097440	SHELF [C] 900 M40