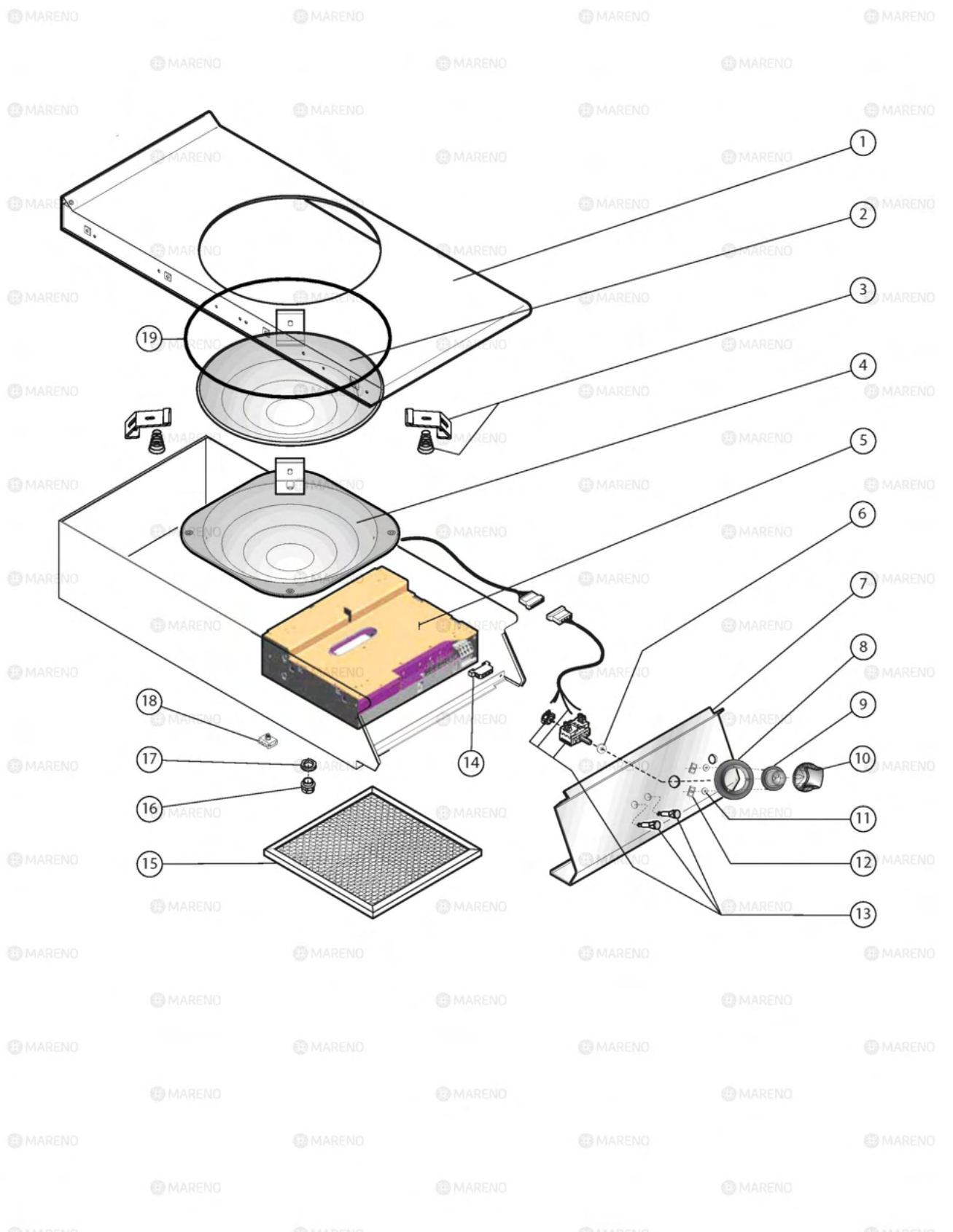

 MARENO ALI srl Mareno di Piave (TV)	<b>COTTURA STAR 70</b>		<b>NIW74TE</b>	
	<b>CUCINA WOK AD INDUZIONE ELETTROMAGNETICA</b>			
	<b>3_ST70_017_4_01</b>		<b>0916</b>	<b>Pag. 1</b>

Pos	Code	Description
0002	CR0821750	GLASS PLATE [C]
0003	CR0821760	KIT WOK SET UP [C]
0004	CR0821740	INDUCTOR [C]
0005	CR1225370	L-KNOB CABLE [C]
0006	CR1225390	ENERGY REGULATOR [C]
0007	CR0587650	GASKET [C] SHAFT
0008	CR0821970	CRUSCOTTO CUCINE INDUZ.WOK M40
0009	CR1094330	KNOB [C] SHAFT D. 6
0010	CR0935250	BUSH [C]
0011	CR0585811	METAL LABEL [C]
0013	MA15860399	FLANGE [C]
0014	CR1225380	CABLE [C]
0015	CR0587640	FRONT PANEL GASKET PROFILE [C]
0016	MA20802799	TERMINAL [C] 6MM
0017	CR0798590	AIR FILTER [C] INDUCTION TOP
0018	MA1878400	TERMINAL BLOCK [C]
0019	MA1037115100	FAIRLEAD [C] V-TEC PG16
0020	MA1037115200	LOCK NUT [C]
0021	CR0821730	GENERATOR [C] 5KW
0021	CR0841590	GENERATOR 5kW WOK 230V3
0022	CR0411400	SILICONE [C]



 MARENO ALI spa Mareno di Piave (TV)	<b>COTTURA STAR 70</b>		<b>NIW74TE</b>	
	<b>PIANO COTTURA INDUZIONE WOK</b>			
	<b>3_ST70_017_4_00</b>		<b>0916</b>	<b>Pag. 1.1</b>

Pos	Code	Description
0002	CR0821750	GLASS PLATE [C]
0003	CR0821760	KIT WOK SET UP [C]
0004	CR0821740	INDUCTOR [C]
0004	CR0841600	INDU.WOK CAVO 1,5M 78.93207.081-00 230V3
0005	CR0821730	GENERATOR [C] 5KW
0005	CR0841590	GENERATOR 5KW WOK 230V3
0006	CR0587650	GASKET [C] SHAFT
0007	CR0821970	CRUSCOTTO CUCINE INDUZ.WOK M40
0008	CR0585811	METAL LABEL [C]
0009	CR0935250	BUSH [C]
0010	CR1094330	KNOB [C] SHAFT D. 6
0011	CR0588510	GASKET [C] CONTROL PANEL 900
0012	MA15860399	FLANGE [C]
0013	CR0737320	COMMAND [C]
0013	CR1225390	ENERGY REGULATOR [C]
0014	MA20802799	TERMINAL [C] 6MM
0015	CR0798590	AIR FILTER [C] INDUCTION TOP
0016	MA1037115100	FAIRLEAD [C] V-TEC PG16
0017	MA1037115200	LOCK NUT [C]
0018	MA1878400	TERMINAL BLOCK [C]
0019	CR0411400	SILICONE [C]