
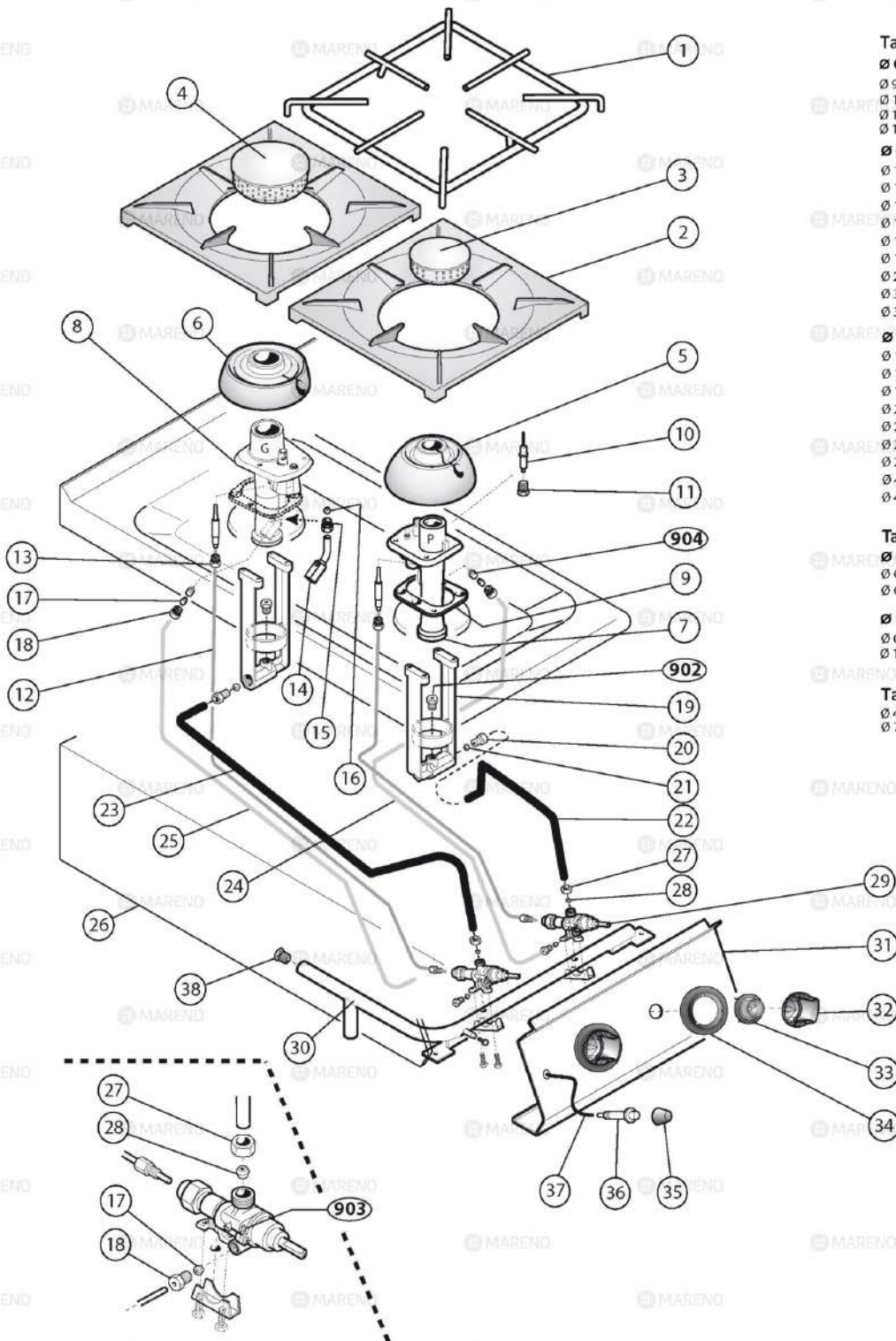


ID GAS: □ G30/50 ◆ G30/37 ■ G30/29 ○ G20/20 ◊ G20/25 ● G25/25 ⊙ G25.1/25 ★ G25/20 ◊ G120/8 ⊙ G110/8

 MARENO ALI spa Mareno di Piave (TV)	COTTURA STAR 90		NT98G	
	TUTTAPIASTRA A GAS PIANO COTTURA			
	3_ST90_011_8_00		0916	Pag. 1.1

Pos	Code	Description
0001	MA208111	LEVER [C] PLATES
0002	CR0584510	COOKING PLATE [C] SOLID TOPS 900
0003	CR0585671	VALVE [C]
0004	CR0587310	PIPE [C] OVEN TP 900 PILOT
0005	CR0587300	CONDUTTURA BRUCIATORE FORNO TP 900
0006	MA86720	BICONE [C] D. 10
0007	MA86643	NUT [C] M16X1
0008	MACM021700	NOZZLE HOLDER [C]
0009	MA1033700200	NUT [C] M14X1
0010	CR0587350	CRUSCOTTO TP MONOBLOCCO 900 M120
0011	CR1094350	KNOB [C] SHAFT D. 10
0012	CR0935250	BUSH [C]
0013	CR0583980	METAL LABEL [C]
0014	CR0588950	EXTENSION [C] DRAIN PASTA COOKER 900
0015	MACM136000	PROTECTION [C] PIEZO UNIT
0016	MA1936100	PIEZO IGNITOR [C]
0017	MA1936400	IGNITOR CABLE SET [C] L. 800
0019	CR0585520	LEFT SIDE PANEL [C] MONOBLOCK 900
0020	CR0587330	RAMP [C] SOLID TOP M120
0022	CR0585540	CAP [C]
0024	CR0584510	COOKING PLATE [C] SOLID TOPS 900
0025	CR0580380	PROTECTION GRID [C] SMOKE DRAIN M60
0026	MACM052300	CLOSING [C]
0027	CR0586850	PIPE [C] SOLID TOPS 900 BURNER
0029	MA1345112	AIR REGULATOR BUSH [C]
0030	MACM004303	VENTURI TUBE [C]
0031	MACM005004	BURNER [C] SOLID TOPS 900
0032	MA1207400	PLATE [C]
0033	MA1316400	FLAME SPREADER [C] D. 175
0034	MA1033700	FRAME [C]
0035	MA1033600	PILOT LAMP [C]
0036	MACM029000	PILOT [C]
0037	MA1888100	BICONE [C] D. 4
0038	MA673500	NUT [C] M10X1
0039	MA1888400	CONNECTOR [C] IGNITOR CLAMPING
0040	MA1891700	CONNECTOR [C] THERMOCOUPLE
0041	MA1949900	IGNITOR [C]
0042	MACM029100	THERMOCOUPLE [C] L 850
0043	MA1888600	GAS TAP [C] 22S
0044	MA673100	NUT [C] M20X1,5
0045	BN6A016300	BICONE [C] D. 12
0046	MA673500	NUT [C] M10X1
0047	MA673600	BICONE [C] D. 4
0048	BN6A011470	BICONE [C] D. 10
0049	MA673200	NUT [C] M20X1,5
0902	MA1631100	NOZZLE [C] D. 250
0902	MA1695200	NOZZLE [C] D. 170

Pos	Code	Description
0902	MA2715100	NOZZLE [C] D. 270
0902	MA2715300	NOZZLE [C] D. 150
0902	MACM029300	NOZZLE [C] D. 550
0902	MACM029400	NOZZLE [C] D. 600
0903	MA1887800	NOZZLE [C] D. 27 PILOT
0903	MA1887900	NOZZLE [C] D. 50 PILOT
0903	MA1888000	NOZZLE [C] D. 14 PILOT
0904	CR0683130	SCREW MINIMUM [C] 1.35 GAS TAP 22S
0904	MA1883800	SCREW MINIMUM [C] 1.80 GAS TAP 22S



Tab.902

Ø 65 mm - 4 kW

- Ø 90K □
- Ø 100K ■
- Ø 150K ○
- Ø 165K ★

Ø 65 mm - 1,5/6 kW

- Ø 105 □
- Ø 115 ◆
- Ø 120 ■
- Ø 180R ✦
- Ø 195R ○●
- Ø 195K ○
- Ø 215R ★
- Ø 320 ✦
- Ø 350 ○

Ø 100 mm - 6/10 kW

- Ø 140 □
- Ø 150 ◆
- Ø 160 ■
- Ø 240R ✦
- Ø 260R ○●
- Ø 260K ○
- Ø 285R ★
- Ø 440 ✦
- Ø 480 ○

Tab.903

Ø 65 (1,5 - 6 kW)

- Ø 0,65 ◆□■
- Ø 0,90 ○●✦★✧✨


Ø 100 (6 - 10 kW)

- Ø 0,90 ◆□■
- Ø 1,30 ○●✦★✧✨

Tab. 904

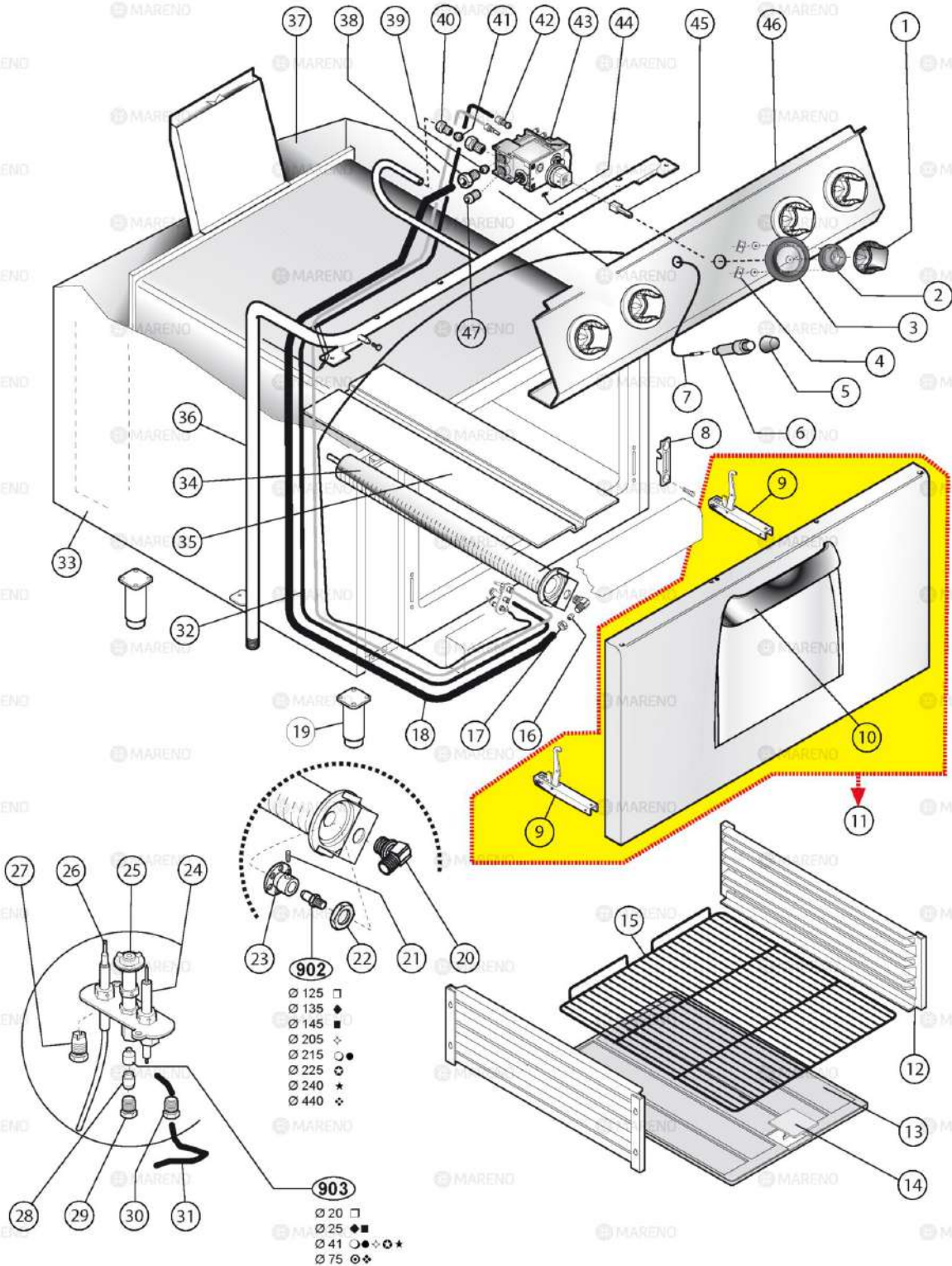
- Ø 41 ○●✦★
- Ø 75 ○✦

ID GAS: □ G30/50 ◆ G30/37 ■ G30/29 ○ G20/20 ✦ G20/25 ● G25/25 ✧ G25.1/25 ★ G25/20 ✨ G120/8 ○ G110/8

 MARENO ALI spa Mareno di Piave (TV)	COTTURA STAR 90		NC94G	
	PIANO COTTURA A GAS FUOCHI APERTI			
	3_ST90_001_4_00		0916	Pag. 1.1

Pos	Code	Description
0001	CR0580080	SHELF GRID [C]
0002	CR0580070	CAST IRON PAN SUPPORT GRID [C] 900
0009	SI8204760	GASKET [C] BURNER VENTURI TUBE
0010	CR0687080	IGNITOR [C]
0011	MA1888400	CONNECTOR [C] IGNITOR CLAMPING
0012	MACM029100	THERMOCOUPLE [C] L 850
0013	MA1891700	CONNECTOR [C] THERMOCOUPLE
0014	CR1162340	CONNECTOR [C] NOZZLE HOLDER VENTURI TUBE
0015	CR1162350	NUT [C] M10X0,75
0016	CR1162360	BICONE [C]
0017	MA673600	BICONE [C] D. 4
0018	MA673500	NUT [C] M10X1
0019	CR0581700	NOZZLE HOLDER [C]
0020	MA459500	CONNECTOR [C]
0021	MA86720	BICONE [C] D. 10
0022	CR0580570	PIPE [C] GAS RANGE 900 5GG FRONT BURNER
0023	CR0580560	PIPE [C] GAS RANGE 900 5GG REAR BURNER
0024	CR0580601	PIPE [C] GAS RANGE 900 5GG PILOT-FRONT BURNER
0025	CR0580611	PIPE [C] GAS RANGE 900 5GG PILOT-REAR BURNER
0027	MA1326500	NUT [C] M16X1,5
0028	MA86720	BICONE [C] D. 10
0029	CR0580450	GAS TAP [C]
0030	CR0584250	RAMPA CUCINE TOP 900 M40
0031	CR0583070V	CRUSCOTTO CUCINE GAS M40 VERNICIATO
0032	CR1094340	KNOB [C] SHAFT D. 8
0033	CR0935250	BUSH [C]
0035	MACM136000	PROTECTION [C] PIEZO UNIT
0036	MA1936100	PIEZO IGNITOR [C]
0037	CR0688770	IGNITOR CABLE [C]
0038	CR0585540	CAP [C]
0902	CR0586770	NOZZLE [C] D. 195R
0902	CR0586780	NOZZLE [C] D. 215R
0902	CR0586790	NOZZLE [C] D. 240R
0902	CR0586800	NOZZLE [C] D. 260R
0902	CR0586810	NOZZLE [C] D. 285R
0902	CR0586820	NOZZLE [C] D. 240R
0902	CR0586830	NOZZLE [C] D. 260K
0902	CR0938460	NOZZLE [C] D. 180
0902	CR1075150	NOZZLE [C]
0902	CR1075160	NOZZLE [C]
0902	CR1075170	NOZZLE [C] DOUBLE F/100K
0902	CR1075180	UGELLO CORTO RALLENTO DOPPIO F./165K
0902	MA521411	NOZZLE [C] D. 105
0902	MA521611	NOZZLE [C] D. 115
0902	MA521711	NOZZLE [C] D. 120
0902	MA522111	NOZZLE [C] D. 140
0902	MA522311	NOZZLE [C] D. 150

Pos	Code	Description
0902	MA522511	NOZZLE [C] D. 160
0902	MA525411	UGELLO CORTO /215
0902	MA525711	NOZZLE [C] D. 350
0902	MA526611	NOZZLE [C] 440
0902	MA527011	NOZZLE [C] D. 480
0903	BN822450260	BYPASS [C] D. 90 TAP 21S
0903	CR0586840	SCREW MINIMUM [C] 0.65 GAS TAP 21S
0903	MA1889200	SCREW MINIMUM [C] 1.30 GAS TAP 21S
0904	MA1033719600	NOZZLE [C] D. 20 PILOT
0904	MA1033719700	NOZZLE [C] D. 41 PILOT
0904	MA1033719800	NOZZLE [C] D. 75 PILOT



ID GAS: □ G30/50 ♦ G30/37 ■ G30/29 ○ G20/20 ◇ G20/25 ● G25/25 ⊗ G25.1/25 ★ G25/20 ✦ G120/8 ⊙ G110/8

 MARENO ALI spa Mareno di Piave (TV)	COTTURA STAR 90		NC9FG8G	
	FORNO A GAS			
	3_ST90_004_8_00		0916	Pag. 1.1

Pos	Code	Description
0001	CR1094360	KNOB [C] VALVE D. 10
0002	CR0935250	BUSH [C]
0003	CR0584000	METAL LABEL [C]
0004	CR0588950	EXTENSION [C] DRAIN PASTA COOKER 900
0005	MACM136000	PROTECTION [C] PIEZO UNIT
0006	MA1936100	PIEZO IGNITOR [C]
0007	MA1950324	IGNITOR CABLE SET [C] L. 1200
0008	MA1304500	BRACKET [C] ROLLER HOLDER
0009	MACM041300	HINGE [C] FOR OVEN DOOR
0010	CR1094600R	HANDLE [C] OVEN STAR
0011	CR1093610	GRUPPO PORTA FORNO 900 STAR
0012	CR0580250	SUPPORT [C] GRID OVEN 900
0013	CR0580000	BOTTOM [C]
0014	CR0581050	COVER [C] OVEN
0015	MA2306800	SHELF GRID [C] GN 2/1
0016	MA86720	BICONE [C] D. 10
0017	MA1326500	NUT [C] M16X1,5
0018	CR0587300	CONDUTTURA BRUCIATORE FORNO TP 900
0019	MA6086113	FOOT ASSEMBLY [C] H. 200
0020	MACM021700	NOZZLE HOLDER [C]
0021	MACM040400	GRAIN [C]
0022	MA1033700200	NUT [C] M14X1
0023	MACM020409	AERATOR [C]
0024	MA1888300	IGNITOR [C]
0025	MACM040800	PILOT [C]
0026	MA263800	THERMOCOUPLE [C] L. 1200
0027	MA1891700	CONNECTOR [C] THERMOCOUPLE
0028	MA673600	BICONE [C] D. 4
0029	MA673500	NUT [C] M10X1
0030	MA1888400	CONNECTOR [C] IGNITOR CLAMPING
0031	MA1950324	IGNITOR CABLE SET [C] L. 1200
0032	CR0587310	PIPE [C] OVEN TP 900 PILOT
0033	CR0585520	LEFT SIDE PANEL [C] MONOBLOCK 900
0034	CR0585590	BURNER [C] OVEN 900
0035	CR0580400	FLAME PROTECTION OVEN [C] 900
0036	CR0587330	RAMP [C] SOLID TOP M120
0037	CR0584820	BACK PANEL [C] MONOBLOCK M80
0038	MA459300	CONNECTOR [C] PIPE /12
0039	MA417810	BICONE [C] D. 12
0040	MA459300	CONNECTOR [C] PIPE /12
0041	MA417810	BICONE [C] D. 12
0042	MA1394700	BICONE CONNECTOR D. 4MM
0043	CR0585671	VALVE [C]
0044	MA15119299	GRAIN [C]
0045	CR0797310	KNOB JOINT [C]
0046	CR0587350	CRUSCOTTO TP MONOBLOCCO 900 M120
0047	MA1888200	CAP [C]

Pos	Code	Description
0902	CR0737210	NOZZLE [C] D. 225
0902	MA1513000	NOZZLE [C] D. 125
0902	MA1931300	NOZZLE [C] D. 205
0902	MA2715400	NOZZLE [C] D. 135
0902	MA2902500	NOZZLE [C] D. 145
0902	MA5152800	NOZZLE [C] D. 440
0902	MA5164700	NOZZLE [C] D. 215
0902	MA795900	NOZZLE [C] D. 240
0902	MA796000	NOZZLE [C] D. 480
0903	MA1033719600	NOZZLE [C] D. 20 PILOT
0903	MA1033719700	NOZZLE [C] D. 41 PILOT
0903	MA1874700	NOZZLE [C] D. 25 PILOT