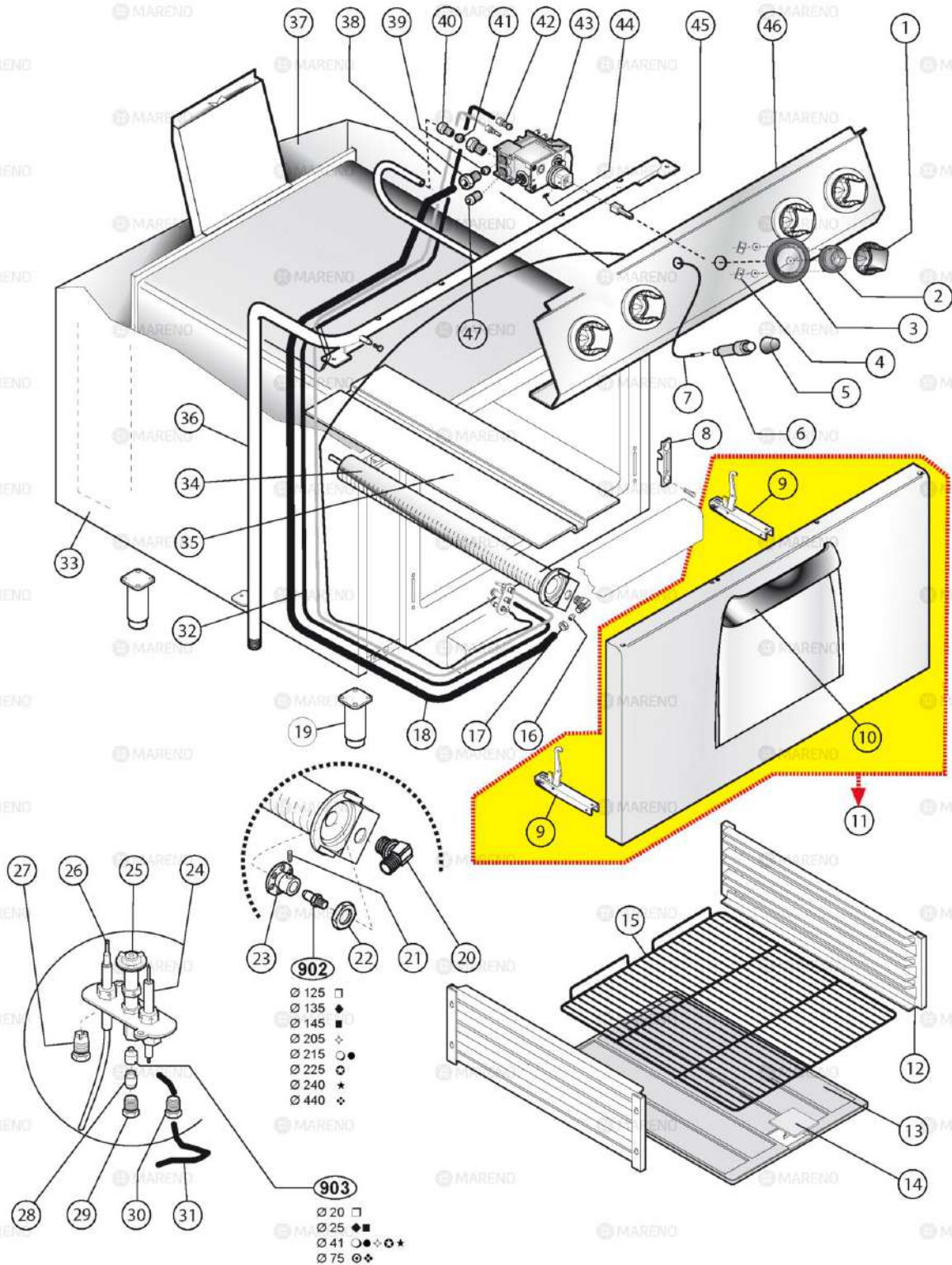


| | | | | | |
|--|---|--|--------------|-----------------|--|
| <p>MARENO ALI spa Mareno di Piave (TV)</p> | COTTURA STAR 90 | | NS98G | | |
| | TUTTAPIASTRA A GAS SIMPLE SERVICE | | | | |
| | 3_ST90_012_8_00 | | 0916 | Pag. 1.1 | |
| | ID GAS: □ G30/50 ◆ G30/37 ■ G30/29 ○ G20/20 ◇ G20/25 ● G25/25 ⊗ G25.1/25 ☆ G25/20 ✦ G120/8 ⊙ G110/8 | | | | |

| Pos | Code | Description |
|------|--------------|-------------------------------------|
| 0001 | MA208111 | LEVER [C] PLATES |
| 0003 | CR0580010 | FLAME SPREADER [C] D. 65 |
| 0003 | CR0580020 | FLAME SPREADER [C] D. 100 |
| 0004 | CR0580030 | BURNER [C] 65 |
| 0004 | CR0580040 | BURNER [C] 100 |
| 0005 | CR0586442R | VENTURI TUBE [C] 65 |
| 0005 | CR0586451 | VENTURI TUBE [C] 100 |
| 0006 | CR0797600 | CONDUTTURA BRUC.SIMPLE SERVICE |
| 0007 | CR1094350 | KNOB [C] SHAFT D. 10 |
| 0008 | CR0935250 | BUSH [C] |
| 0009 | CR0583980 | METAL LABEL [C] |
| 0010 | MACM136000 | PROTECTION [C] PIEZO UNIT |
| 0011 | MA1936100 | PIEZO IGNITOR [C] |
| 0012 | MA1936400 | IGNITOR CABLE SET [C] L. 800 |
| 0013 | MA137722 | SCREW [C] |
| 0014 | CR0736110 | CAVALLOTTO D.21 C/TAPPO COD.490114 |
| 0015 | MACM238700 | PORTAUGELLO TUTTAPIASTRA 700 |
| 0016 | CR0584260 | RAMPA CUCINE TOP 900 M80 |
| 0017 | CR0585540 | CAP [C] |
| 0018 | CR0797960 | PIPE [C] |
| 0019 | MACM002900 | BURNER [C] SOLID TOPS 700 |
| 0020 | MA1326500 | NUT [C] M16X1,5 |
| 0021 | MA86720 | BICONE [C] D. 10 |
| 0022 | CR0580640 | PROTECTION GRID [C] SMOKE DRAIN M40 |
| 0023 | MA17010599 | PLAIT [C] |
| 0024 | MA673500 | NUT [C] M10X1 |
| 0025 | MA673600 | BICONE [C] D. 4 |
| 0026 | MA1888100 | BICONE [C] D. 4 |
| 0027 | MA1888400 | CONNECTOR [C] IGNITOR CLAMPING |
| 0028 | MA1891700 | CONNECTOR [C] THERMOCOUPLE |
| 0029 | MA1949900 | IGNITOR [C] |
| 0030 | MACM029000 | PILOT [C] |
| 0031 | MACM029100 | THERMOCOUPLE [C] L 850 |
| 0032 | MA1033700200 | NUT [C] M14X1 |
| 0033 | MACM020409 | AERATOR [C] |
| 0034 | MACM040400 | GRAIN [C] |
| 0035 | CR0581700 | NOZZLE HOLDER [C] |
| 0036 | CR0583100 | FRONT PANEL [C] GAS RANGE M80 |
| 0037 | CR0580450 | GAS TAP [C] |
| 0903 | BN822450260 | BYPASS [C] D. 90 TAP 21S |
| 0903 | CR0586840 | SCREW MINIMUM [C] 0.65 GAS TAP 21S |
| 0903 | MA1889200 | SCREW MINIMUM [C] 1.30 GAS TAP 21S |
| 0904 | MA1033719600 | NOZZLE [C] D. 20 PILOT |
| 0904 | MA1033719700 | NOZZLE [C] D. 41 PILOT |
| 0904 | MA1033719800 | NOZZLE [C] D. 75 PILOT |
| 0905 | CR0410070 | NOZZLE [C] LONG/195 |
| 0905 | CR0732960 | NOZZLE [C] D. 185 |

| Pos | Code | Description |
|------|--------------|------------------------------------|
| 0905 | MA1033707800 | UGELLO LUNGO /350 |
| 0905 | MA1422400 | NOZZLE [C] D. 115 |
| 0905 | MA1522300 | NOZZLE [C] D. 120 |
| 0905 | MA1695200 | NOZZLE [C] D. 170 |
| 0905 | MA2988500 | NOZZLE [C] D. 200 |
| 0905 | MA5159700 | NOZZLE [C] D. 110 |
| 0906 | MA1883400 | SCREW MINIMUM [C] 1.40 GAS TAP 21S |
| 0906 | MA1889100 | SCREW MINIMUM [C] 1.00 GAS TAP 21S |
| 0907 | MA1887800 | NOZZLE [C] D. 27 PILOT |
| 0907 | MA1887900 | NOZZLE [C] D. 50 PILOT |
| 0907 | MA1888000 | NOZZLE [C] D. 14 PILOT |



ID GAS: □ G30/50 ◆ G30/37 ■ G30/29 ○ G20/20 ◇ G20/25 ● G25/25 ✦ G25.1/25 ★ G25/20 ◇ G120/8 ○ G110/8

| | | | | |
|--|------------------------|--|----------------|-----------------|
| <p>MARENO ALI spa Mareno di Piave (TV)</p> | COTTURA STAR 90 | | NC9FG8G | |
| | FORNO A GAS | | | |
| | 3_ST90_004_8_00 | | 0916 | Pag. 1.1 |

| Pos | Code | Description |
|------|--------------|--------------------------------------|
| 0001 | CR1094360 | KNOB [C] VALVE D. 10 |
| 0002 | CR0935250 | BUSH [C] |
| 0003 | CR0584000 | METAL LABEL [C] |
| 0004 | CR0588950 | EXTENSION [C] DRAIN PASTA COOKER 900 |
| 0005 | MACM136000 | PROTECTION [C] PIEZO UNIT |
| 0006 | MA1936100 | PIEZO IGNITOR [C] |
| 0007 | MA1950324 | IGNITOR CABLE SET [C] L. 1200 |
| 0008 | MA1304500 | BRACKET [C] ROLLER HOLDER |
| 0009 | MACM041300 | HINGE [C] FOR OVEN DOOR |
| 0010 | CR1094600R | HANDLE [C] OVEN STAR |
| 0011 | CR1093610 | GRUPPO PORTA FORNO 900 STAR |
| 0012 | CR0580250 | SUPPORT [C] GRID OVEN 900 |
| 0013 | CR0580000 | BOTTOM [C] |
| 0014 | CR0581050 | COVER [C] OVEN |
| 0015 | MA2306800 | SHELF GRID [C] GN 2/1 |
| 0016 | MA86720 | BICONE [C] D. 10 |
| 0017 | MA1326500 | NUT [C] M16X1,5 |
| 0018 | CR0580370 | PIPE [C] OVEN PILOT-BURNER |
| 0019 | MA6086113 | FOOT ASSEMBLY [C] H. 200 |
| 0020 | MACM021700 | NOZZLE HOLDER [C] |
| 0021 | MACM040400 | GRAIN [C] |
| 0022 | MA1033700200 | NUT [C] M14X1 |
| 0023 | MACM020409 | AERATOR [C] |
| 0024 | MA1888300 | IGNITOR [C] |
| 0025 | MACM040800 | PILOT [C] |
| 0026 | MA263800 | THERMOCOUPLE [C] L. 1200 |
| 0027 | MA1891700 | CONNECTOR [C] THERMOCOUPLE |
| 0028 | MA673600 | BICONE [C] D. 4 |
| 0029 | MA673500 | NUT [C] M10X1 |
| 0030 | MA1888400 | CONNECTOR [C] IGNITOR CLAMPING |
| 0031 | MA1950324 | IGNITOR CABLE SET [C] L. 1200 |
| 0032 | CR0580310 | PIPE [C] OVEN BURNER |
| 0033 | CR0585520 | LEFT SIDE PANEL [C] MONOBLOCK 900 |
| 0034 | CR0585590 | BURNER [C] OVEN 900 |
| 0035 | CR0580400 | FLAME PROTECTION OVEN [C] 900 |
| 0036 | CR0580270 | RAMPA CUCINE MONOBLOCCO M80 |
| 0037 | CR0584820 | BACK PANEL [C] MONOBLOCK M80 |
| 0038 | MA459300 | CONNECTOR [C] PIPE /12 |
| 0039 | MA417810 | BICONE [C] D. 12 |
| 0040 | MA459300 | CONNECTOR [C] PIPE /12 |
| 0041 | MA417810 | BICONE [C] D. 12 |
| 0042 | MA1394700 | BICONE CONNECTOR D. 4MM |
| 0043 | CR0585671 | VALVE [C] |
| 0044 | MA15119299 | GRAIN [C] |
| 0045 | CR0797310 | KNOB JOINT [C] |
| 0046 | CR0738120 | CRUSCOTTO SIMPLE SERVICE SX FORNO |
| 0047 | MA1888200 | CAP [C] |

| Pos | Code | Description |
|------|--------------|------------------------|
| 0902 | CR0737210 | NOZZLE [C] D. 225 |
| 0902 | MA1513000 | NOZZLE [C] D. 125 |
| 0902 | MA1931300 | NOZZLE [C] D. 205 |
| 0902 | MA2715400 | NOZZLE [C] D. 135 |
| 0902 | MA2902500 | NOZZLE [C] D. 145 |
| 0902 | MA5152800 | NOZZLE [C] D. 440 |
| 0902 | MA5164700 | NOZZLE [C] D. 215 |
| 0902 | MA795900 | NOZZLE [C] D. 240 |
| 0902 | MA796000 | NOZZLE [C] D. 480 |
| 0903 | MA1033719600 | NOZZLE [C] D. 20 PILOT |
| 0903 | MA1033719700 | NOZZLE [C] D. 41 PILOT |
| 0903 | MA1874700 | NOZZLE [C] D. 25 PILOT |