
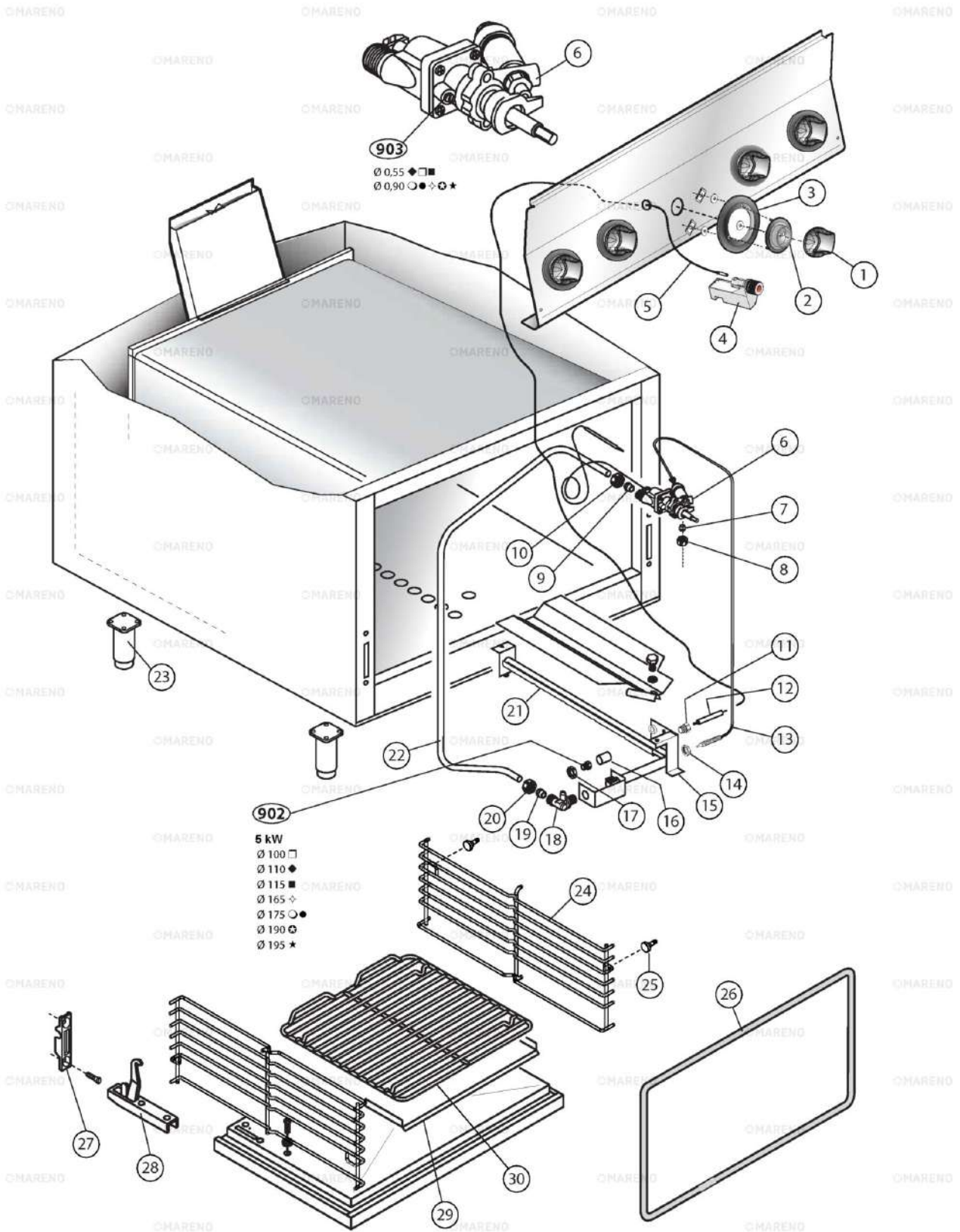


ID GAS: □ G30/50 ◆ G30/37 ■ G30/29 ○ G20/20 ◇ G20/25 ● G25/25 ⊙ G25.1/25 ☆ G25/20 ◇ G120/8 ⊙ G110/8

 MARENO ALI spa Mareno di Piave (TV)	COTTURA STAR 60		C6G11	
	PIANO COTTURA A GAS FUOCHI APERTI			
	3_ST60_004_11_00		0916	Pag. 1

Pos	Code	Description
0001	CR0846910	CAST IRON PAN SUPPORT GRID [C] 60
0002	CR0937560	BURNER CAP Ã~ 85MM [C] 3,5KW
0002	CR0937570	BURNER CAP Ã~ 95MM [C] 5,5KW
0003	CR0795730	BURNER Ã~ 85MM [C] 3,5KW
0003	MACM297300	BURNER Ã~ 95MM [C] 5,5KW
0004	MA1036607800	GASKET [C] BURNER
0004	MA1036607900	GASKET [C] BURNER
0005	MA1032101200	VENTURI TUBE [C]
0005	MA1032101300	VENTURI TUBE [C]
0006	MA90520	THERMOCOUPLE [C] M9X1 L=600
0007	MA641900	THERMOCOUPLE [C] L. 400
0008	MA15119399	GRAIN [C]
0009	MA1033717300R	CAP [C]
0010	MA1033514900	NUT [C] M10X1
0011	MA1033717000	NIPPLE [C]
0012	MA1891700	CONNECTOR [C] THERMOCOUPLE
0013	MA1032501300	VENTURI TUBE [C]
0014	MA673600	BICONE [C] D. 4
0015	MA673500	NUT [C] M10X1
0016	CR0932770	PIPE [C] TOP 60 FRONT PILOT
0017	CR0932750	PIPE [C] FRONT BURNER
0018	CR1226060	RUBINETTO GAS ALPHABRASS A60S
0019	CR0847190	CRUSCOTTO 6 FUOCHI FORNO GAS A 60 M110
0020	CR1094340	KNOB [C] SHAFT D. 8
0021	CR0935250	BUSH [C]
0022	CR0583980	METAL LABEL [C]
0022	CR0583990	METAL LABEL [C]
0023	CR0932760	PIPE [C] BACK BURNER
0024	MA1326500	NUT [C] M16X1,5
0024	MA86720	BICONE [C] D. 10
0025	MA1033717200	NOZZLE HOLDER [C]
0026	CR0849780	RAMPA 6 FUOCHI FORNO/G 60 M110
0027	MA1044229212	AIR REGULATOR [C]
0028	CR0932780	BACK PIPE [C] PILOT TOP 60
0029	MA86720	BICONE [C] D. 10
0902	MA520911	NOZZLE [C] D. 80
0902	MA521011	NOZZLE [C] D. 85
0902	MA521111	NOZZLE [C] D. 90
0902	MA521311	NOZZLE [C] D. 100
0902	MA521411	NOZZLE [C] D. 105
0902	MA521611	NOZZLE [C] D. 115
0902	MA521711	NOZZLE [C] D. 120
0902	MA521811	NOZZLE [C] D. 125
0902	MA522011	NOZZLE [C] D. 135
0902	MA522211	NOZZLE [C] D. 145
0902	MA522311	NOZZLE [C] D. 150
0902	MA522611	NOZZLE [C] D. 165

Pos	Code	Description
0902	MA522711	NOZZLE [C] D. 170
0902	MA522811	NOZZLE [C] D. 175
0902	MA522911	NOZZLE [C] D. 180
0902	MA523011	NOZZLE [C] D. 185
0902	MA523111	NOZZLE [C] D. 190
0902	MA523211	NOZZLE [C] D. 195
0902	MA523311	NOZZLE [C] D. 200
0903	BN6A023721	BYPASS [C] D. 70 TAP 21S
0903	BN822450260	BYPASS [C] D. 90 TAP 21S
0903	MA1033719900	SCREW [C]
0903	MA1033720000	SCREW MINIMUM [C] 0.55 GAS TAP 21S
0904	MA1033719600	NOZZLE [C] D. 20 PILOT - min. 10 pcs or multiples
0904	MA1033719700	NOZZLE [C] D. 41 PILOT - min. 10 pcs or multiples



ID GAS: □ G30/50 ◆ G30/37 ■ G30/29 ○ G20/20 ◇ G20/25 ● G25/25 ○ G25.1/25 ★ G25/20 ◇ G120/8 ○ G110/8

 MARENO ALI spa Mareno di Piave (TV)	COTTURA STAR 60		C6FG	
	FORNO A GAS			
	3_ST60_003_7_00		0916	Pag. 1

Pos	Code	Description
0001	CR1094340	KNOB [C] SHAFT D. 8
0002	CR0935250	BUSH [C]
0003	CR0933520	PLACCA SERIG. FORNO GAS 60
0004	SI8206280	IGNITOR [C]
0005	CR0938990	IGNITION CABLE SET [C] OVEN 60 L. 1200
0006	CR0934130	TAP [C]
0007	MA5011110	BICONE [C] D. 8
0008	MA1665300	NUT [C] M13X1
0009	MA86720	BICONE [C] D. 10
0010	MA1665200	NUT [C]
0011	MA1888400	CONNECTOR [C] IGNITOR CLAMPING
0012	MA1888300	IGNITOR [C]
0013	MA1665000	THERMOCOUPLE [C] L. 1200
0014	MA939300	BRASS NUT [C] - MINIMUM 10 PIECES OR MULTIPLE
0015	CR0935770	SUPPORTO CANDELINA TERMOCOPPIA FORNO 60
0016	CR0935760	REGOLAZIONE ARIA BRUCIATORE FORNO 60
0017	MA507510	DADO M12X1 H3 OTTONE
0018	CR0932590	NOZZLE HOLDER [C] BURNER OVEN 60
0019	MA86720	BICONE [C] D. 10
0020	MA1326500	NUT [C] M16X1,5
0021	CR0932560	BRUCIATORE FORNO 60
0022	CR0932600	CONDUTTURA BRUCIATORE FORNO 60
0023	MA6086200	FOOT ASSEMBLY [C] H. 200
0024	CR0932691	REGGIGRIGLIA FORNO 60
0025	CR0932451	SUPPORTO REGGIGRIGLIA FORNO 60
0026	CR1479370	GUARNIZIONE FORNO 60 (THERMIC-60-HT/T)
0027	MA1304500	BRACKET [C] ROLLER HOLDER
0028	CR0934850	HINGE [C] FOR OVEN DOOR 60
0029	CR0932710	SUOLA FORNO 60
0030	CR0932700	CHROMIUM-PLATED SHELF GRID [C] OVEN 60
0902	MA521311	NOZZLE [C] D. 100
0902	MA521511	NOZZLE [C] D. 110
0902	MA521611	NOZZLE [C] D. 115
0902	MA522611	NOZZLE [C] D. 165
0902	MA522811	NOZZLE [C] D. 175
0902	MA523111	NOZZLE [C] D. 190
0902	MA523211	NOZZLE [C] D. 195
0903	BN822450260	BYPASS [C] D. 90 TAP 21S
0903	MA1033720000	SCREW MINIMUM [C] 0.55 GAS TAP 21S