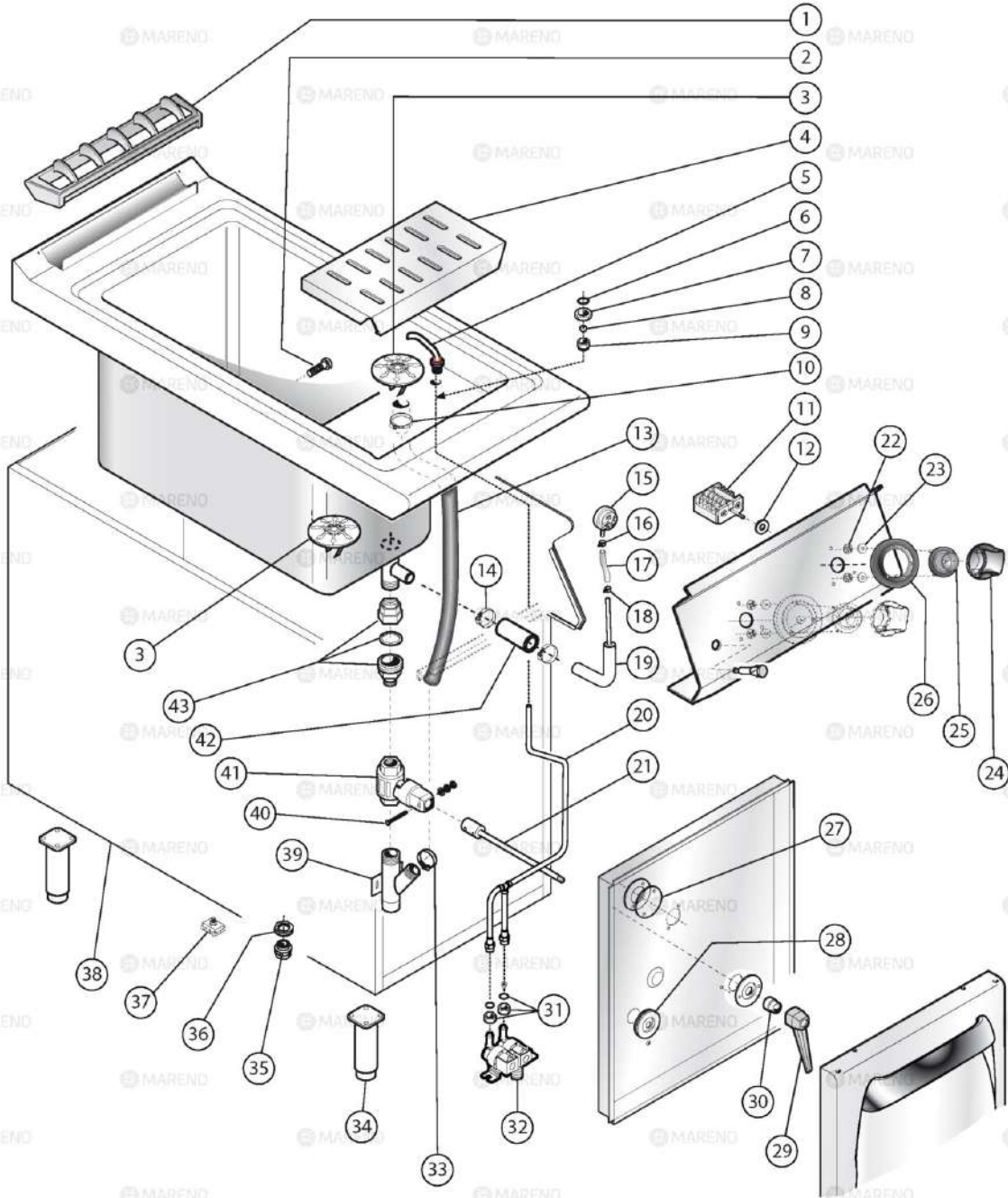

 MARENO ALI spa Mareno di Piave (TV)	COTTURA STAR 90		NPC94E	
	CUOCIPASTA ELETTRICI			
	3_ST90_065_4_00		0916	Pag. 1.1

Pos	Code	Description
0001	CR0582040R	HEATING ELEMENT [C] PASTA COOKER 900
0002	CR0586210	SUPPORT [C] HEATING ELEMENT PASTA COOKER 900
0003	MACM200100	GREASE [C]
0004	CR1342950	GASKET [C] OR
0005	MA15119299	GRAIN [C]
0006	MACM021600	RING NUT [C]
0007	MA52185099	KEY [C]
0008	LA65080250	ENERGY REGULATOR [C]
0010	CR0588950	EXTENSION [C] DRAIN PASTA COOKER 900
0012	CR0583110	FRONT PANEL [C] PASTA COOKER 900 M40
0013	CR1094330	KNOB [C] SHAFT D. 6
0014	CR0935250	BUSH [C]
0015	CR0589870	METAL LABEL [C]
0016	CR0587500	ORANGE PILOT LAMP [C]
0017	CR0588170	6 POLES TERMINAL BLOCK [C] 450V
0018	CR0582140	GASKET [C]
0019	CR0582130	NUT [C]
0020	MACM187301	CONTACTOR [C]
0021	MA1984000	ELECTRIC NOISE FILTER [C]
0022	CR0582120	HEATING ELEMENT BUSH [C] FOR PASTA COOKERS



 MARENO ALI spa Mareno di Piave (TV)	COTTURA STAR 90	NPC9
	CUOCIPASTA A GAS E ELETTRICI COMPONENTI COMUNI	
	3_ST90_064_4_8_00	0916

Pos	Code	Description
0001	CR0580640	PROTECTION GRID [C] SMOKE DRAIN M40
0002	CR0588190	PIN [C] DRAINER PASTA COOKER
0003	MA1817201	ASS.GRIGLIA SCARICO
0004	CR0588001LE	SGOCCIOLATOIO CUOCIPASTA
0005	CR0582451	TAP [C] PASTA COOKER
0006	MA1036507500	GASKET [C] 15,60X1,78
0007	MA1033703200	NUT [C] M16X1,5
0008	MA86720	BICONE [C] D. 10
0009	MA1326500	NUT [C] M16X1,5
0010	MA1033504000	CLAMP [C]
0011	CR0581810	4 WAYS COMMUTATOR [C]
0013	CR1227600	PIPE [C] D. 72CM
0014	MA1033504100	STEEL CLAMP [C]
0015	CR0585951	PRESSURE SWITCH [C]
0016	CR0796890	CLAMP [C]
0017	CR0585930	SILICONE RUBBER PIPE [C] D. 4X8
0018	CR0796890	CLAMP [C]
0019	CR0589882	PIPE [C]
0020	CR0583521	PIPE [C] PASTA COOKER 900 TAP
0021	CR0588950	EXTENSION [C] DRAIN PASTA COOKER 900
0022	CR0588950	EXTENSION [C] DRAIN PASTA COOKER 900
0024	CR1094330	KNOB [C] SHAFT D. 6
0025	CR0935250	BUSH [C]
0026	CR0584030	METAL LABEL [C]
0029	MA2863500	HANDLE [C] MF 63N
0030	MA1515900	SPACER [C] KNOB
0031	CR0682340	NUT [C]
0032	CR0939340R	SOLENOID VALVE [C] 230V
0032	CR1220370R	SOLENOID VALVE [C] WATER
0033	MA1033504000	CLAMP [C]
0034	MA6086113	FOOT ASSEMBLY [C] H. 200
0035	MA1037112400	FAIRLEAD [C]
0036	MA1037114500	LOCK NUT [C]
0037	MA1878400	TERMINAL BLOCK [C]
0038	CR0585520	LEFT SIDE PANEL [C] MONOBLOCK 900
0039	CR0681800	WATER DRAIN [C] TANK PASTA COOKER
0040	MA15203299	SCREW [C] M5X45 UNI EN ISO 4014
0041	CR0588960	VALVE [C]
0042	CR1225330	COUPLING [C] TANK-PIPE CONNECTION
0043	CR1225320	CONNECTOR [C] M/F