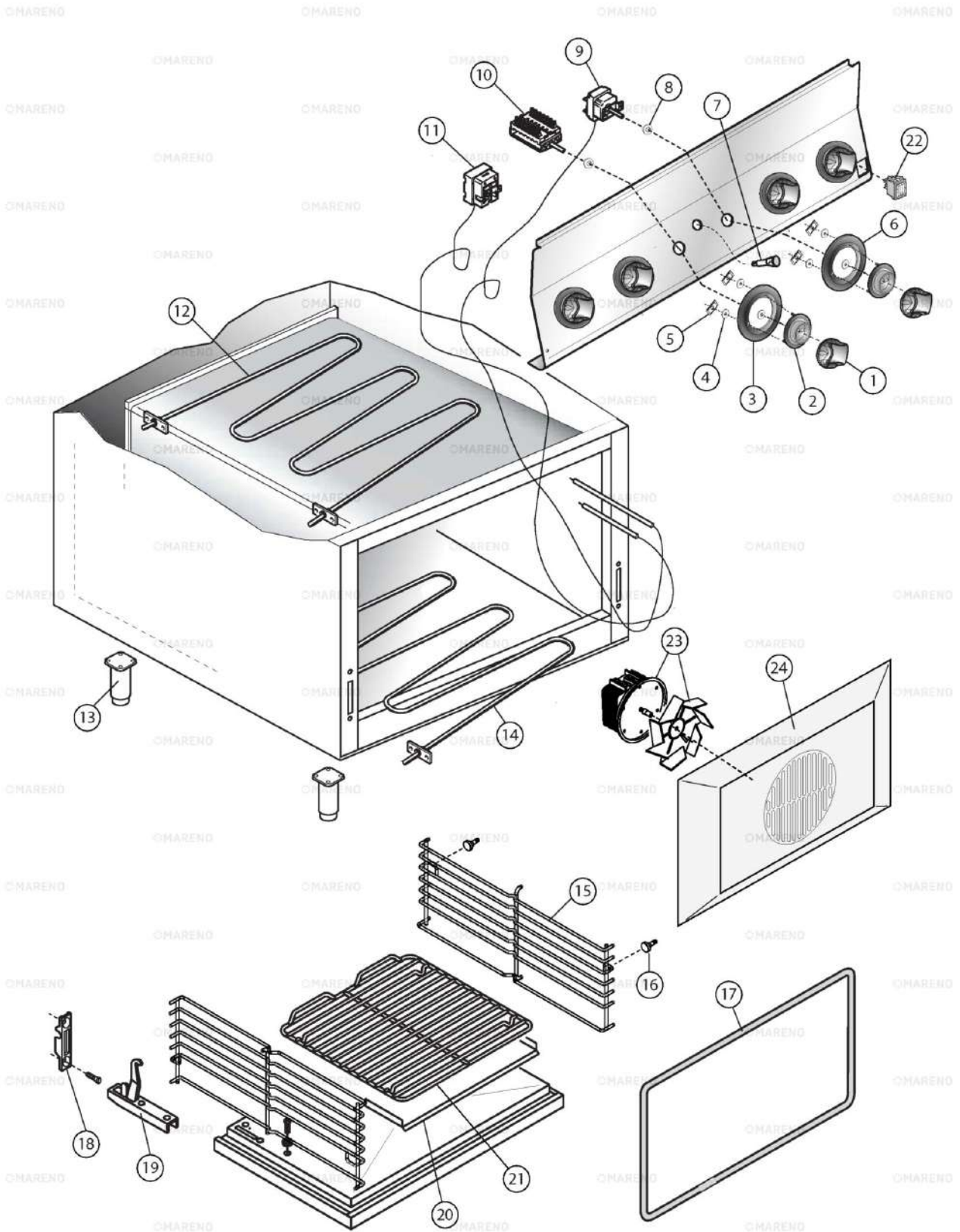



ID GAS: □ G30/50 ◆ G30/37 ■ G30/29 ○ G20/20 ◇ G20/25 ● G25/25 ◊ G25.1/25 ★ G25/20 ✦ G120/8 ⊙ G110/8

 MARENO ALI spa Mareno di Piave (TV)	COTTURA STAR 60		C67E	
	PIANO COTTURA ELETTRICO			
	3_ST60_008_7_00		0916	Pag. 1

Pos	Code	Description
0001	MA1832313	ELECTRIC PLATE Ã~220MM [C] 2600W 230V
0002	MA1832313	ELECTRIC PLATE Ã~220MM [C] 2600W 230V
0003	MA1641700	BRACKET [C]
0005	CR0933880	CRUSCOTTO 4 PIASTRE-FORNO EL/S A 60 M70
0005	CR0936340	CRUSCOTTO 4 PIASTRE-FORNO EL/V A 60 M70
0006	CR1094330	KNOB [C] SHAFT D. 6
0007	CR0935250	BUSH [C]
0008	CR0585820	METAL LABEL [C]
0008	CR0585830	METAL LABEL [C]
0009	CR0587500	ORANGE PILOT LAMP [C] Ã~13,5MM 230V
0010	CR0588510	GASKET [C] CONTROL PANEL 900
0011	CR0588950	EXTENSION [C] DRAIN PASTA COOKER 900
0012	CR0587650	GASKET [C] SHAFT
0013	MA1616100	COMMUTATOR 0-6 [C] POSITION
0014	CR0730260	PIN [C] ROUND ELECTRIC PLATES CLAMPING
0016	MA1641700	BRACKET [C]
0017	MA1037112400	FAIRLEAD [C]15 / KIT OF 10 UNITS
0018	MA1037114500	LOCK NUT[C] - MINIMUM 10 PIECES OR MULTIPLE
0019	MA1878400	TERMINAL BLOCK [C]
0020	MA1037104000	6 POLES TERMINAL BLOCK [C] 450V



ID GAS: □ G30/50 ● G30/37 ■ G30/29 ○ G20/20 ◇ G20/25 ● G25/25 ⊕ G25.1/25 ★ G25/20 ✦ G120/8 ⊙ G110/8

 MARENO ALI spa Mareno di Piave (TV)	COTTURA STAR 60		C6FEV	
	FORNO ELETTRICO VENTILATO			
	3_ST60_006_7_00		0916	Pag. 1

Pos	Code	Description
0001	CR1094330	KNOB [C] SHAFT D. 6
0002	CR0935250	BUSH [C]
0003	CR0682861	METAL LABEL [C]
0004	CR0588510	GASKET [C] CONTROL PANEL 900
0005	CR0588950	EXTENSION [C] DRAIN PASTA COOKER 900
0006	CR0584020	METAL LABEL [C]
0007	CR0587500	ORANGE PILOT LAMP [C] \tilde{A} 13,5MM 230V
0008	CR0587650	GASKET [C] SHAFT
0009	MA1309115	THERMOSTAT [C] 0-300 \hat{A} °C
0010	MA1309000	COMMUTATOR [C]
0011	MA1878500	THERMOSTAT [C] 360 \hat{A} °C
0012	CR0932670	HEATING ELEMENT [C] OVEN 60
0013	MA6086200	FOOT ASSEMBLY [C] H. 200
0014	CR0932670	HEATING ELEMENT [C] OVEN 60
0015	CR0932691	REGGIGRIGLIA FORNO 60
0016	CR0932451	SUPPORTO REGGIGRIGLIA FORNO 60
0017	CR1479370	GUARNIZIONE FORNO 60 (THERMIC-60-HT/T)
0018	MA1304500	BRACKET [C] ROLLER HOLDER
0019	CR0934850	HINGE [C] FOR OVEN DOOR 60
0020	CR0932710	SUOLA FORNO 60
0021	CR0932700	CHROMIUM-PLATED SHELF GRID [C] OVEN 60
0022	MA4640500	GREEN LIGHT SWITCH [C]
0023	MA4330800	FAN [C]
0024	CR0932640	PROTEZIONE ESTERNA MOTOVENTIL. FORNO