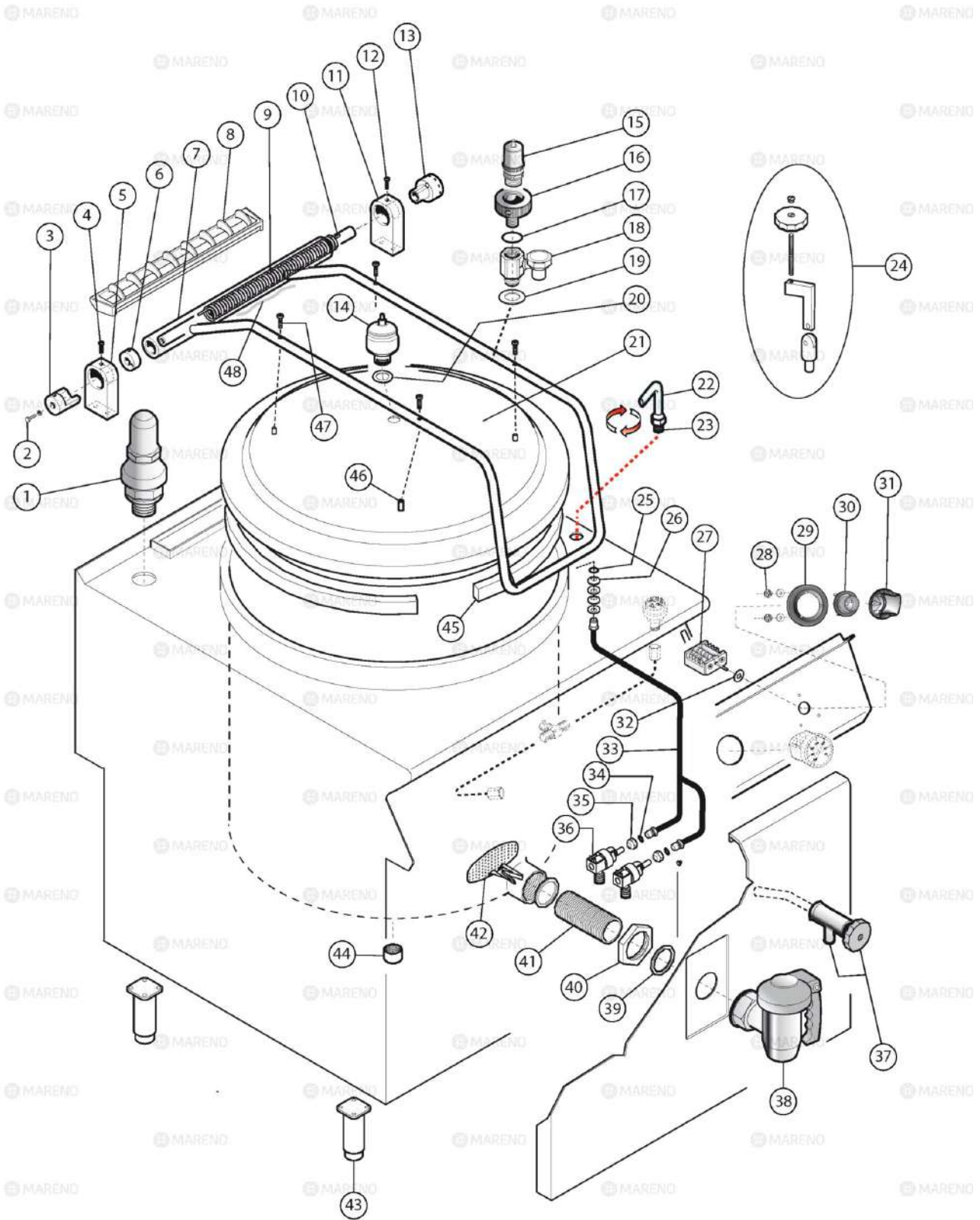



ID GAS: □ G30/50 ◆ G30/37 ■ G30/29 ○ G20/20 ◇ G20/25 ● G25/25 ◐ G25.1/25 ★ G25/20 ✦ G120/8 ⊙ G110/8

 MARENO ALI spa Mareno di Piave (TV)	<b>COTTURA STAR 90</b>		<b>NPD98G15</b>	
	<b>PENTOLE A GAS DIRETTE</b>			
	<b>3_ST90_084_8_00</b>		<b>0916</b>	<b>Pag. 1.1</b>

Pos	Code	Description
0002	LA65080250	ENERGY REGULATOR [C]
0004	CR0588310	CRUSCOTTO PENTOLE DIRETTE 900
0005	CR1094330	KNOB [C] SHAFT D. 6
0006	CR0935250	BUSH [C]
0007	CR0589870	METAL LABEL [C]
0008	CR0587500	ORANGE PILOT LAMP [C]
0009	CR0589800	GASKET [C] VALVE PANS 900
0010	MA15860399	FLANGE [C]
0011	CR0589790	PROTECTION [C] GAS VALVE PAN 900
0012	MA1326500	NUT [C] M16X1,5
0013	MA86720	BICONE [C] D. 10
0014	MACM021700	NOZZLE HOLDER [C]
0015	MA1033700200	NUT [C] M14X1
0016	CR0683890	AIR REGULATOR [C]
0017	CR0682450	PIPE [C] BURNER PAN 900
0019	CR0587420	PIPE [C] PANS 900 PILOT
0020	MA1936400	IGNITOR CABLE SET [C] L. 800
0021	MA2971400	ELECTRICAL IGNITER [C]
0022	CR0588180	3 POLES TERMINAL BLOCK [C] 450V
0023	CR0506300	ELECTRIC NOISE FILTER [C]
0024	MA1878500	THERMOSTAT [C] 360Â°C
0025	CR0586130	RAMP [C] PANS 900
0026	MACM088100	BURNER [C] PANS 900
0027	MACM029100	THERMOCOUPLE [C] L 850
0028	MA1888300	IGNITOR [C]
0029	MACM040800	PILOT [C]
0030	MA1888400	CONNECTOR [C] IGNITOR CLAMPING
0031	MA673600	BICONE [C] D. 4
0032	CR0587420	PIPE [C] PANS 900 PILOT
0033	MA673500	NUT [C] M10X1
0034	MA1891700	CONNECTOR [C] THERMOCOUPLE
0035	MA1421000	NUT [C] M24X1,5
0036	MA1127400	BICONE [C] D. 16
0037	MA1953700	NIPPLE [C]
0038	CR0507660	REGULATOR [C]
0039	MA1871200	VALVE [C] 230V
0040	MA5142000	PRESSURE REGULATOR [C]
0041	MA673100	NUT [C] M20X1,5
0042	BN6A016300	BICONE [C] D. 12
0043	CR0588920	NIPPLE [C]
0044	MA1880600	CONNECTOR [C]
0045	MA2865800	CONNECTOR [C]
0902	MA1630800	NOZZLE [C] D. 155
0902	MA1880800	NOZZLE [C] D. 275
0902	MA5152900	NOZZLE [C] D. 310
0902	MA796200	NOZZLE [C] D. 180
0903	CR0410100	NOZZLE [C] D. 30


Pos	Code	Description
0903	MA1033719700	NOZZLE [C] D. 41 PILOT
0903	MA1874700	NOZZLE [C] D. 25 PILOT



 MARENO ALI spa Mareno di Piave (TV)	<b>COTTURA STAR 90</b>	<b>NP98</b>
	<b>PENTOLE PARTICOLARI COMUNI</b>	
	<b>3_ST90_081_8_00</b>	<b>0916</b>

Pos	Code	Description
0002	MA1033509200	SCREW [C] M8X25 UNI EN ISO 4017
0003	CR0586320	HINGE SUPPORT BUSH [C]
0004	CR0589090	SCREW [C]
0005	CR0586370	SUPPORT [C] HINGE
0006	CR0586310	HINGE BUSH [C] FOR PAN
0007	CR0586500	HANDLE [C] PAN 900
0008	CR0580380	PROTECTION GRID [C] SMOKE DRAIN M60
0009	CR0586350	SPRING [C] HINGE
0010	CR0586360	PIN [C] HINGE CONNECTION
0011	CR0586370	SUPPORT [C] HINGE
0012	CR0589090	SCREW [C]
0013	CR0586330	HINGE SUPPORT BUSH [C]
0021	CR0586560	COVER [C] PAN
0022	MA450000	TAP [C] PANS
0023	CR1090060	ADAPTER [C]
0025	CR0682650	GASKET [C]
0026	CR0682570	SPRING [C] UNI 8737-B 40 GR2-50Cr V4
0027	CR0581810	4 WAYS COMMUTATOR [C]
0028	CR0588950	EXTENSION [C] DRAIN PASTA COOKER 900
0029	CR0682580	METAL LABEL [C]
0030	CR0935250	BUSH [C]
0031	CR1094330	KNOB [C] SHAFT D. 6
0033	CR0587460	PIPE [C] PAN TAP
0034	MA2867700	GASKET [C] 9,19X2,62
0035	CR0682340	NUT [C]
0036	CR1220380R	SOLENOID VALVE [C] WATER
0038	CR0682781	DRAIN TAP [C]
0039	MA1420925	GASKET [C] TAP
0040	MA14044899	LOCK NUT [C]
0041	CR1079243	NIPPLO 2
0042	MA111700	PROTECTION GRID [C] PAN DRAIN
0043	MA6086113	FOOT ASSEMBLY [C] H. 200
0044	MA14047599	TAPPO FEMMINA 3/4" FIG.300 GHISA / ZN
0045	CR0687120	GASKET [C] AUTOCLAVE PAN
0046	CR0586460	SPACER [C] HANDLE
0047	CR0587940	SCREW [C]
0048	CR1078870	SINT GREASE MP 260/0 KG.5



 MARENO ALI spa Mareno di Piave (TV)	<b>COTTURA STAR 90</b>		<b>NP98</b>	
	<b>PENTOLE PARTICOLARI COMUNI</b>			
	<b>3_ST90_082_8_00</b>		<b>0916</b>	<b>Pag. 1.1</b>

Pos	Code	Description
0001	MA77122700	PIN [C] HANDLE CLAMPING
0002	MA77122600	HEATLESS HANDLE [C]
0003	MA1420925	GASKET [C] TAP
0004	MA77122400	GREASE [C]