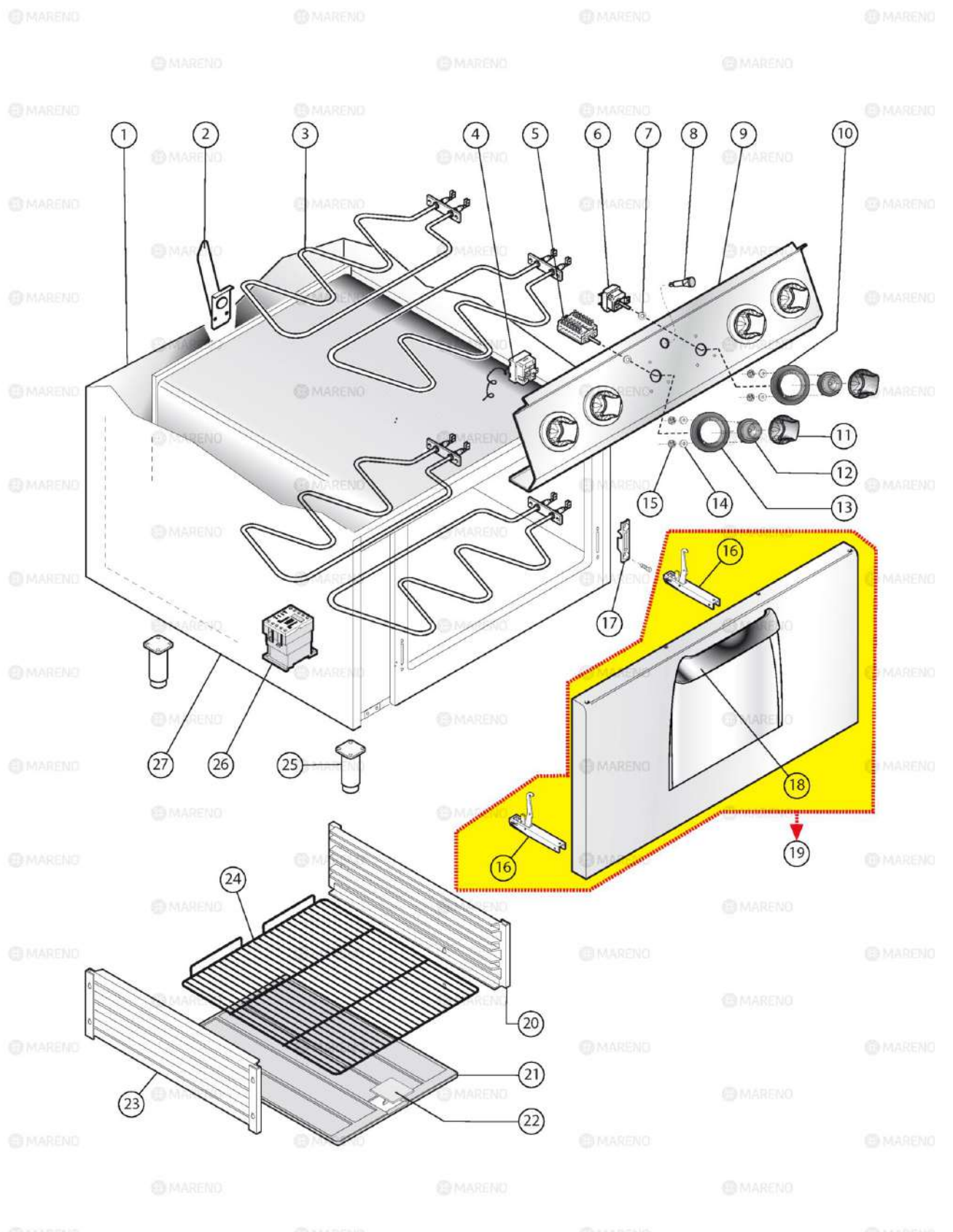

 MARENO ALI spa Mareno di Piave (TV)	<b>COTTURA STAR 90</b>	<b>NC98E</b>	
	<b>PIANO COTTURA ELETTRICO</b>		
	<b>3_ST90_014_8_00</b>	<b>0916</b>	<b>Pag. 1.1</b>

Pos	Code	Description
0001	MA1937400	ELECTRIC PLATE [C] 4000W
0002	CR0587230	SPACER [C] M8X13,5
0003	CR0587220	PLAN [C] ASSEMBLY ELECTRICAL COOKER 900
0004	CR0581420	FRONT PANEL [C] 900 M80
0005	CR1094330	KNOB [C] SHAFT D. 6
0006	MA9003088700	SPRING [C] KNOB
0007	CR0935250	BUSH [C]
0008	CR0585820	METAL LABEL [C]
0008	CR0585830	METAL LABEL [C]
0010	CR0588950	EXTENSION [C] DRAIN PASTA COOKER 900
0011	CR0587500	ORANGE PILOT LAMP [C]
0013	MA1616100	COMMUTATOR [C]
0014	MA1878400	TERMINAL BLOCK [C]
0015	CR0588170	6 POLES TERMINAL BLOCK [C] 450V
0017	CR0580640	PROTECTION GRID [C] SMOKE DRAIN M40



 MARENO ALI spa Mareno di Piave (TV)	<b>COTTURA STAR 90</b>		<b>NC9FE8G</b>	
	<b>FORNO ELETTRICO</b>			
	<b>3_ST90_006_8_00</b>		<b>0916</b>	<b>Pag. 1.1</b>

Pos	Code	Description
0001	CR0584820	BACK PANEL [C] MONOBLOCK M80
0002	CR0586470	ASS.SCARICO CONDENZA FORNO EL.900
0003	CR0681390	HEATING ELEMENT [C] OVEN 900
0004	MA1878500	THERMOSTAT [C] 360Â°C
0005	MA1309000	COMMUTATOR [C]
0006	MA1309115	THERMOSTAT [C] 0-300Â°C
0008	MA1037300910	ORANGE PILOT LAMP [C]
0009	CR0583511	PANEL [C] ELECTRICAL COOKER WITH OVEN M8
0010	CR0584020	METAL LABEL [C]
0011	CR1094330	KNOB [C] SHAFT D. 6
0012	CR0935250	BUSH [C]
0013	CR0682861	METAL LABEL [C]
0015	CR0588950	EXTENSION [C] DRAIN PASTA COOKER 900
0016	MACM041300	HINGE [C] FOR OVEN DOOR
0017	MA1304500	BRACKET [C] ROLLER HOLDER
0018	CR1094600R	HANDLE [C] OVEN STAR
0019	CR1093610	GRUPPO PORTA FORNO 900 STAR
0020	CR0580250	SUPPORT [C] GRID OVEN 900
0021	CR0580000	BOTTOM [C]
0022	CR0581050	COVER [C] OVEN
0023	CR0580250	SUPPORT [C] GRID OVEN 900
0024	MA2306800	SHELF GRID [C] GN 2/1
0025	MA6086113	FOOT ASSEMBLY [C] H. 200
0026	MACM187301	CONTACTOR [C]
0027	CR0585520	LEFT SIDE PANEL [C] MONOBLOCK 900