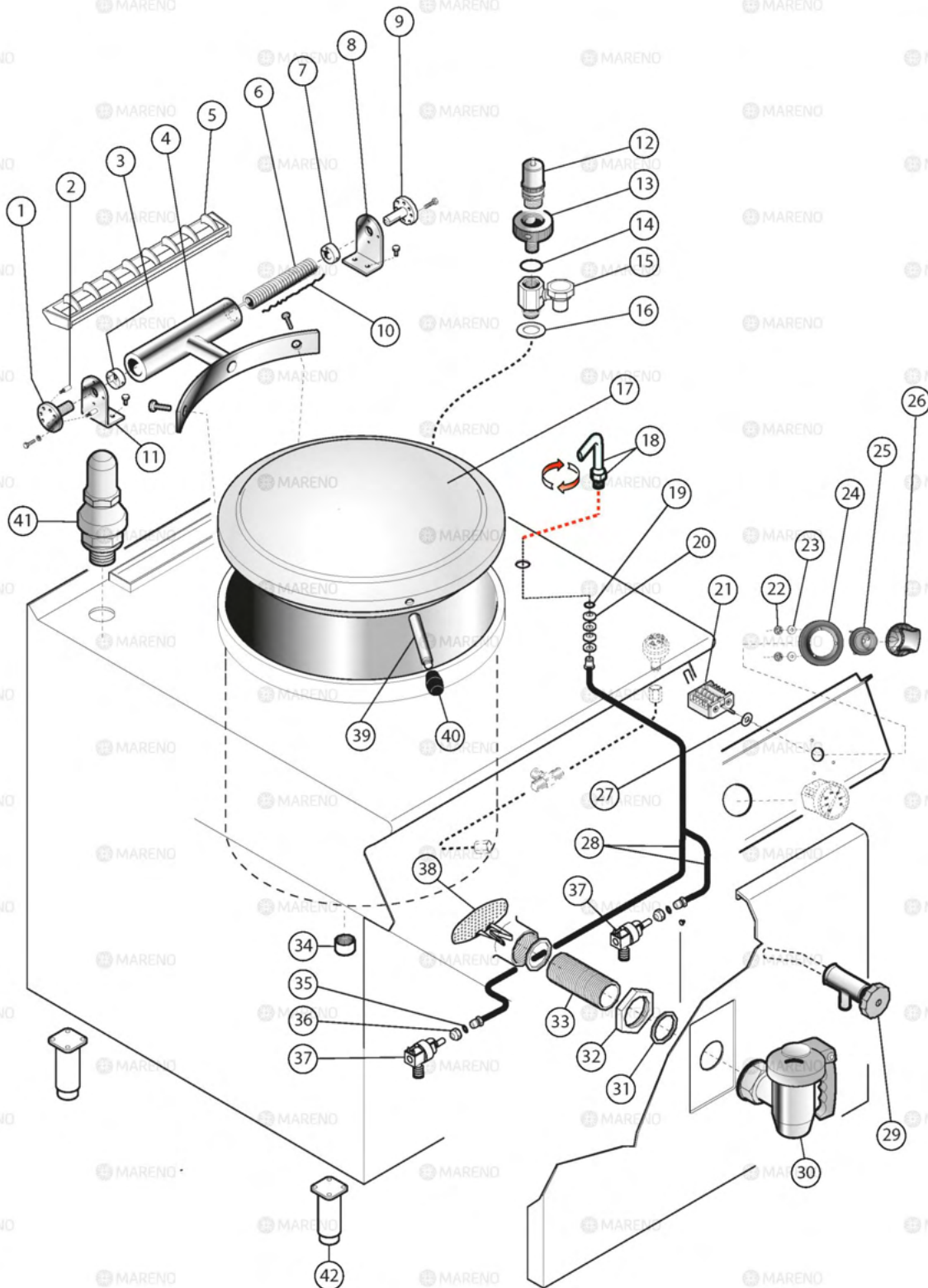


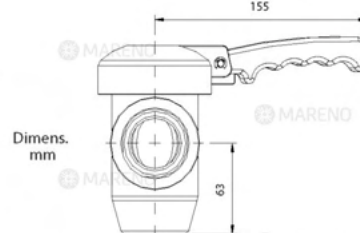
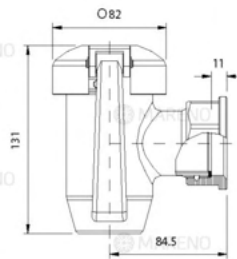
 MARENO ALI spa Mareno di Piave (TV)	COTTURA STAR 70		NPI76E5	
	PENTOLE ELETTRICHE INDIRETTE 50lt			
	3_ST70_078_6_00		0916	Pag. 1.1


Pos	Code	Description
0002	CR0686160	ENVELOPE WITH TRISODIUM PHOSFATE [C]
0003	CR0682610	PIPE [C] INDIRECT PANS GAUGE
0004	CR0682590	CONNECTOR [C]
0005	CR0587800	PRESSURE SWITCH [C]
0006	CR0682600	PIPE [C] PANS PRESSURE SWITCH
0007	CR0589110	GAUGE [C]
0008	CR0735950	CRUSCOTTO PENTOLE INDIRETTE M60
0009	CR0682520	RED PILOT LAMP [C]
0010	CR1094330	KNOB [C] SHAFT D. 6
0011	CR0935250	BUSH [C]
0012	CR0589870	METAL LABEL [C]
0013	CR0588950	EXTENSION [C] DRAIN PASTA COOKER 900
0014	CR0587500	ORANGE PILOT LAMP [C]
0015	CR0735010R	HEATING ELEMENT [C] PAN 700
0016	MACM046200	GASKET [C] 56,52X5,34
0017	MACM187301	CONTACTOR [C]
0018	MA21470199R	TERMINAL BLOCK [C]
0019	CR0683840	RELAY [C]
0020	MA1037112400	FAIRLEAD [C]
0021	MA1037114500	LOCK NUT [C]
0022	MA2609500	CLOSING [C]
0023	MA1878400	TERMINAL BLOCK [C]
0024	CR0682160R	HEATING ELEMENT [C] WATER DETECTION
0025	CR0682770	GASKET [C] HEATING ELEMENT
0026	CR0682740	THERMOSTAT [C] PANS
0028	LA65080250	ENERGY REGULATOR [C]



 MARENO ALI spa Mareno di Piave (TV)	COTTURA STAR 70		NPI76-NPD76	
	PENTOLE GAS ED ELETTRICHE PARTICOLARI COMUNI			
	3_ST70_071_6_00		0916	Pag. 1.1

Pos	Code	Description
0001	MACM051503	FIXED PIN [C] HINGE
0002	MACM052201	PIN [C] PANS HINGE
0003	MACM051403	LEFT BUSH [C] FOR PANS HINGE
0004	MACM181200	HINGE [C] FOR PANS 50L
0005	CR0580380	PROTECTION GRID [C] SMOKE DRAIN M60
0006	MA139732	SPRING [C] HINGE
0007	MACM192101	RUGHT BUSH [C] FOR BRATT PAN
0008	MACM192401	RIGHT SUPPORT [C] HINGE
0009	MACM051604	CHARGE PIN [C] HINGE
0010	CR1078870	SINT GREASE MP 260/0 KG.5
0011	MACM051903	LEFT SUPPORT [C] HINGE
0012	CR0587810	VALVE [C]
0013	CR0587830	SUPPORT [C] VALVE
0014	CR0587840	GASKET [C] 28X3
0015	CR0599520	CONDENSATE DRAIN [C] PAN
0016	CR0824290	INOX WASHER [C] 40X28X10
0017	MA1675514	COVER [C] PAN 50L
0018	CR1090060	ADAPTER [C]
0019	CR0682650	GASKET [C]
0020	CR0682570	SPRING [C] UNI 8737-B 40 GR2-50Cr V4
0021	CR0581810	4 WAYS COMMUTATOR [C]
0022	CR0588950	EXTENSION [C] DRAIN PASTA COOKER 900
0024	CR0682580	METAL LABEL [C]
0025	CR0935250	BUSH [C]
0026	CR1094330	KNOB [C] SHAFT D. 6
0028	CR0735180	CONDUTTURA EROGATORE PENTOLE 700 M60
0029	CR0587770	LEVEL TAP [C]
0030	CR0735640	DRAIN TAP [C]
0031	CR0735650	GASKET [C] TAP
0032	CR0736070	LOCK NUT [C]
0033	CR0735560	NIPPLE [C] 11/2 PAN 50 LT 700
0034	MA14047599	TAPPO FEMMINA 3/4" FIG.300 GHISA / ZN
0035	MA2867700	GASKET [C] 9,19X2,62
0036	CR0682340	NUT [C]
0037	CR1220380R	SOLENOID VALVE [C] WATER
0038	MA111700	PROTECTION GRID [C] PAN DRAIN
0039	MA1681614	EXTENSION [C]
0040	MA489700	HANDLE [C]
0041	CR0587820	VALVE [C]
0042	MA6086113	FOOT ASSEMBLY [C] H. 200



 MARENO ALI spa Mareno di Piave (TV)	COTTURA STAR 70	NPI76-NPD76	
	PENTOLE GAS ED ELETTRICHE PARTICOLARI COMUNI		
	3_ST70_072_6_00	0916	Pag. 1.1

Pos	Code	Description
0002	CR0735640	DRAIN TAP [C]
0003	MA17000899	NASTRO SIGILLANTE LOCTITE 55 31934
0004	MA77123000	GASKET [C] DRAIN TAP 1 1/2
0006	MA77122400	GREASE [C]