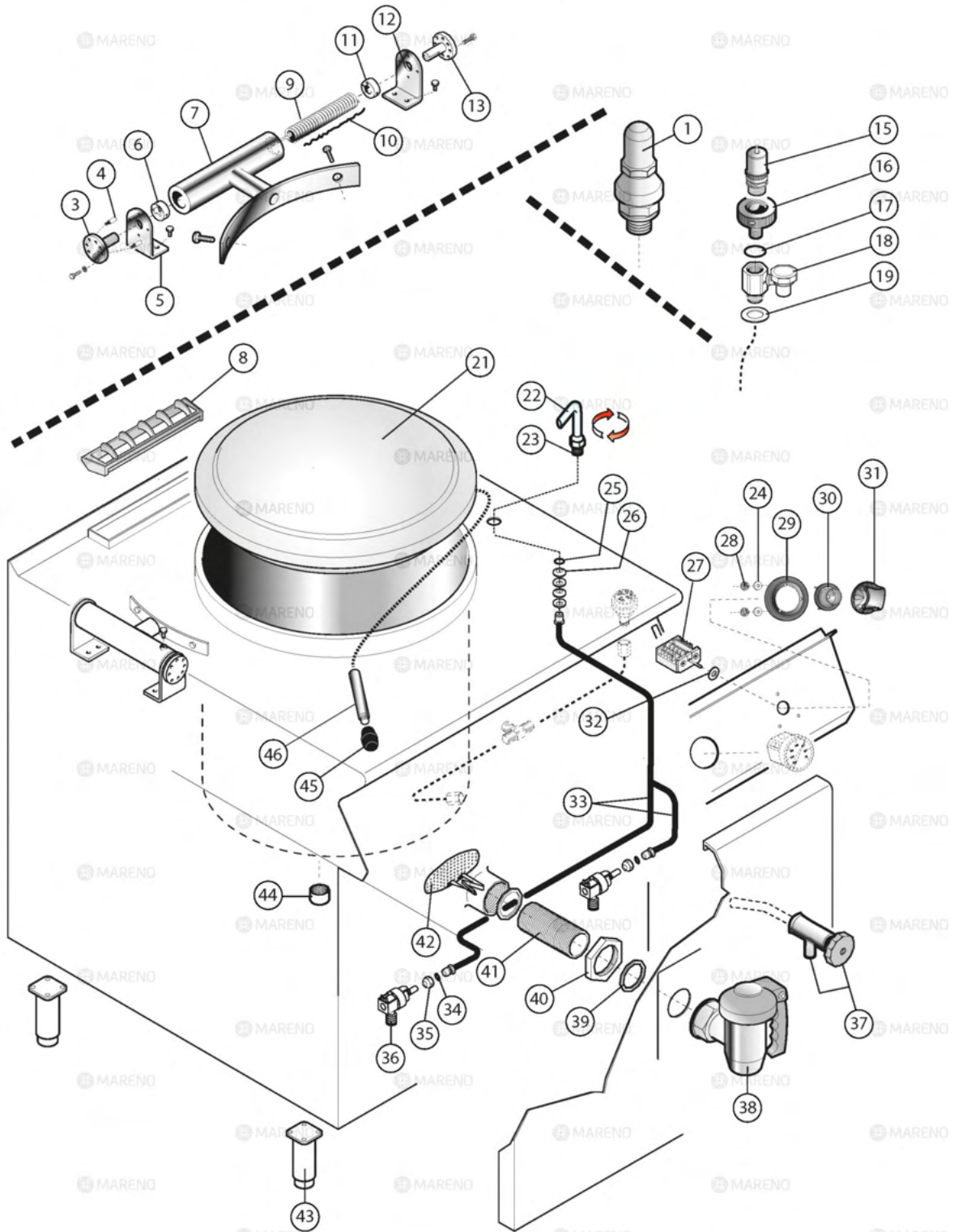

 MARENO ALI spa Mareno di Piave (TV)	COTTURA STAR 70		NPI78E8	
	PENTOLE ELETTRICHE INDIRETTE			
	3_ST70_079_8_00		0916	Pag. 1.1


Pos	Code	Description
0002	CR0682610	PIPE [C] INDIRECT PANS GAUGE
0003	CR0682590	CONNECTOR [C]
0004	CR0587800	PRESSURE SWITCH [C]
0005	CR0682600	PIPE [C] PANS PRESSURE SWITCH
0006	CR0589110	GAUGE [C]
0007	CR0736490	FRONT PANEL [C] PAN 700 80LT
0008	CR0682520	RED PILOT LAMP [C]
0009	CR1094330	KNOB [C] SHAFT D. 6
0010	CR0935250	BUSH [C]
0011	CR0589870	METAL LABEL [C]
0012	CR0588950	EXTENSION [C] DRAIN PASTA COOKER 900
0013	CR0587500	ORANGE PILOT LAMP [C]
0014	CR0737000	HEATING ELEMENT [C] PAN 80L 700
0015	MACM046200	GASKET [C] 56,52X5,34
0016	MACM187301	CONTACTOR [C]
0017	MA21470199R	TERMINAL BLOCK [C]
0018	CR0683840	RELAY [C]
0019	MA1037112400	FAIRLEAD [C]
0020	MA1037114500	LOCK NUT [C]
0021	MA2609500	CLOSING [C]
0022	MA1878400	TERMINAL BLOCK [C]
0023	CR0682160R	HEATING ELEMENT [C] WATER DETECTION
0024	CR0682770	GASKET [C] HEATING ELEMENT
0025	CR0682740	THERMOSTAT [C] PANS
0027	LA65080250	ENERGY REGULATOR [C]



 MARENO ALI spa Mareno di Piave (TV)	COTTURA STAR 70	NP78
	PENTOLE PARTICOLARI COMUNI	
	3_ST70_075_8_00	0916

Pos	Code	Description
0001	CR0587820	VALVE [C]
0003	MACM051503	FIXED PIN [C] HINGE
0004	MACM052201	PIN [C] PANS HINGE
0005	MACM051903	LEFT SUPPORT [C] HINGE
0006	CR0736440	BUSH LH HINGE
0007	CR0736450	HINGE [C] FOR PAN 80 LT
0008	CR0580380	PROTECTION GRID [C] SMOKE DRAIN M60
0009	MA810210	SPRING [C] HINGE
0010	CR1078870	SINT GREASE MP 260/0 KG.5
0011	MACM192101	RUGHT BUSH [C] FOR BRATT PAN
0012	MACM192401	RIGHT SUPPORT [C] HINGE
0013	MACM051604	CHARGE PIN [C] HINGE
0015	CR0587810	VALVE [C]
0016	CR0587830	SUPPORT [C] VALVE
0017	CR0587840	GASKET [C] 28X3
0018	CR0599520	CONDENSATE DRAIN [C] PAN
0019	CR0824290	INOX WASHER [C] 40X28X10
0021	CR0736460	COVER [C] PAN 700 80LT
0022	MA450000	TAP [C] PANS
0023	CR1090060	ADAPTER [C]
0025	CR0682650	GASKET [C]
0026	CR0682570	SPRING [C] UNI 8737-B 40 GR2-50Cr V4
0027	CR0581810	4 WAYS COMMUTATOR [C]
0028	CR0588950	EXTENSION [C] DRAIN PASTA COOKER 900
0029	CR0682580	METAL LABEL [C]
0030	CR0935250	BUSH [C]
0031	CR1094330	KNOB [C] SHAFT D. 6
0033	CR0736470	CONDUTTURA EROGATORE PENTOLE 700 M80
0034	MA2867700	GASKET [C] 9,19X2,62
0035	CR0682340	NUT [C]
0036	CR1220380R	SOLENOID VALVE [C] WATER
0037	CR0587770	LEVEL TAP [C]
0038	CR0735640	DRAIN TAP [C]
0039	CR0735650	GASKET [C] TAP
0040	CR0736070	LOCK NUT [C]
0041	CR0736610	NIPPLE [C]
0042	MA111700	PROTECTION GRID [C] PAN DRAIN
0043	MA6086113	FOOT ASSEMBLY [C] H. 200
0044	MA14047599	TAPPO FEMMINA 3/4" FIG.300 GHISA / ZN
0045	MA489700	HANDLE [C]
0046	MA1681614	EXTENSION [C]



 MARENO ALI spa Mareno di Piave (TV)	COTTURA STAR 70		NP78	
	PENTOLE PARTICOLARI COMUNI			
	3_ST70_076_8_00		0916	Pag. 1.1

Pos	Code	Description
0003	MA1420925	GASKET [C] TAP
0004	MA77122400	GREASE [C]