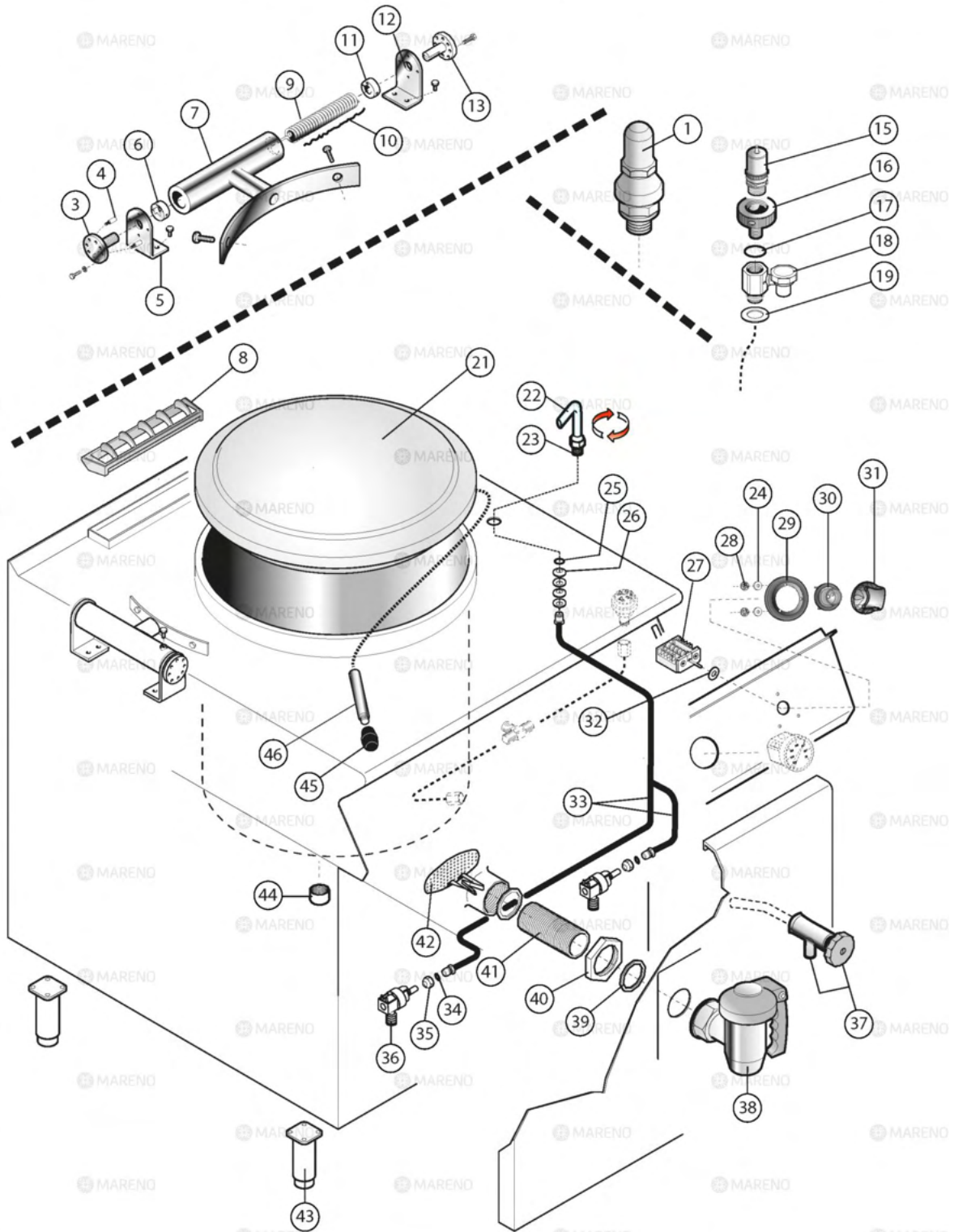



ID GAS: □ G30/50 ◆ G30/37 ■ G30/29 ○ G20/20 ✦ G20/25 ● G25/25 ◐ G25.1/25 ★ G25/20 ✧ G120/8 ⊙ G110/8

 MARENO ALI spa Mareno di Piave (TV)	COTTURA STAR 70		NPD78G8	
	PENTOLE A GAS DIRETTE			
	3_ST70_074_8_00		0916	Pag. 1.1

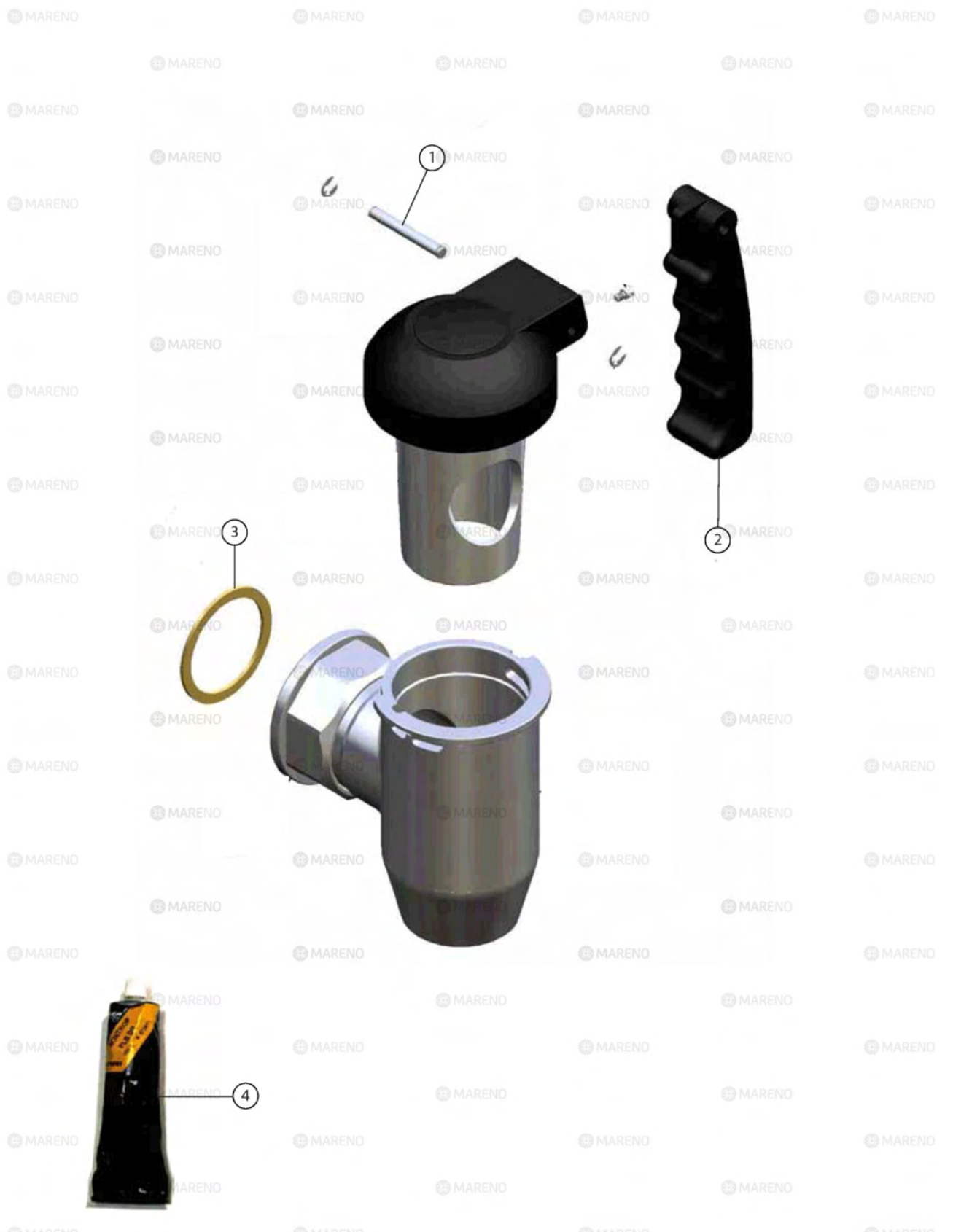
Pos	Code	Description
0002	LA65080250	ENERGY REGULATOR [C]
0004	CR0736480	CRUSCOTTO PENTOLE DIRETTE 700 80LT
0005	CR1094330	KNOB [C] SHAFT D. 6
0006	CR0935250	BUSH [C]
0007	CR0589870	METAL LABEL [C]
0008	CR0587500	ORANGE PILOT LAMP [C]
0009	CR0589800	GASKET [C] VALVE PANS 900
0010	MA15860399	FLANGE [C]
0011	CR0589790	PROTECTION [C] GAS VALVE PAN 900
0012	MA1326500	NUT [C] M16X1,5
0013	MA86720	BICONE [C] D. 10
0014	MACM021700	NOZZLE HOLDER [C]
0015	MA1033700200	NUT [C] M14X1
0016	CR0683890	AIR REGULATOR [C]
0017	CR0682450	PIPE [C] BURNER PAN 900
0019	CR0587420	PIPE [C] PANS 900 PILOT
0020	MA1936400	IGNITOR CABLE SET [C] L. 800
0021	MA2971400	ELECTRICAL IGNITER [C]
0022	CR0588180	3 POLES TERMINAL BLOCK [C] 450V
0023	CR0506300	ELECTRIC NOISE FILTER [C]
0024	MA1878500	THERMOSTAT [C] 360Â°C
0025	CR0586130	RAMP [C] PANS 900
0026	MACM088200	BURNER [C] PANS 700
0027	MACM029100	THERMOCOUPLE [C] L 850
0028	MA1888300	IGNITOR [C]
0029	MACM040800	PILOT [C]
0030	MA1888400	CONNECTOR [C] IGNITOR CLAMPING
0031	MA673600	BICONE [C] D. 4
0032	CR0587420	PIPE [C] PANS 900 PILOT
0033	MA673500	NUT [C] M10X1
0034	MA1891700	CONNECTOR [C] THERMOCOUPLE
0035	MA1421000	NUT [C] M24X1,5
0036	MA1127400	BICONE [C] D. 16
0037	MA1953700	NIPPLE [C]
0038	CR0507660	REGULATOR [C]
0039	MA1871200	VALVE [C] 230V
0040	MA5142000	PRESSURE REGULATOR [C]
0041	MA673100	NUT [C] M20X1,5
0042	BN6A016300	BICONE [C] D. 12
0043	CR0588920	NIPPLE [C]
0044	MA1880600	CONNECTOR [C]
0045	MA2865800	CONNECTOR [C]
0046	CR0736500	FACCIATA PENTOLE GAS DIRETTA 80 LT
0047	CR0588950	EXTENSION [C] DRAIN PASTA COOKER 900
0902	CR0736870	UGELLO LUNGO /490
0902	MA1421700	NOZZLE [C] D. 130
0902	MA1630700	NOZZLE [C] D. 140


Pos	Code	Description
0902	MA1631100	NOZZLE [C] D. 250
0902	MA2715300	NOZZLE [C] D. 150
0902	MA5152800	NOZZLE [C] D. 440
0902	MA5164700	NOZZLE [C] D. 215
0902	MA795900	NOZZLE [C] D. 240
0902	MA796400	NOZZLE [C] D. 230
0903	MA1033719600	NOZZLE [C] D. 20 PILOT
0903	MA1033719700	NOZZLE [C] D. 41 PILOT
0903	MA1033719800	NOZZLE [C] D. 75 PILOT
0903	MA1874700	NOZZLE [C] D. 25 PILOT



 MARENO ALI spa Mareno di Piave (TV)	COTTURA STAR 70	NP78
	PENTOLE PARTICOLARI COMUNI	
	3_ST70_075_8_00	0916

Pos	Code	Description
0001	CR0587820	VALVE [C]
0003	MACM051503	FIXED PIN [C] HINGE
0004	MACM052201	PIN [C] PANS HINGE
0005	MACM051903	LEFT SUPPORT [C] HINGE
0006	CR0736440	BUSH LH HINGE
0007	CR0736450	HINGE [C] FOR PAN 80 LT
0008	CR0580380	PROTECTION GRID [C] SMOKE DRAIN M60
0009	MA810210	SPRING [C] HINGE
0010	CR1078870	SINT GREASE MP 260/0 KG.5
0011	MACM192101	RUGHT BUSH [C] FOR BRATT PAN
0012	MACM192401	RIGHT SUPPORT [C] HINGE
0013	MACM051604	CHARGE PIN [C] HINGE
0015	CR0587810	VALVE [C]
0016	CR0587830	SUPPORT [C] VALVE
0017	CR0587840	GASKET [C] 28X3
0018	CR0599520	CONDENSATE DRAIN [C] PAN
0019	CR0824290	INOX WASHER [C] 40X28X10
0021	CR0736460	COVER [C] PAN 700 80LT
0022	MA450000	TAP [C] PANS
0023	CR1090060	ADAPTER [C]
0025	CR0682650	GASKET [C]
0026	CR0682570	SPRING [C] UNI 8737-B 40 GR2-50Cr V4
0027	CR0581810	4 WAYS COMMUTATOR [C]
0028	CR0588950	EXTENSION [C] DRAIN PASTA COOKER 900
0029	CR0682580	METAL LABEL [C]
0030	CR0935250	BUSH [C]
0031	CR1094330	KNOB [C] SHAFT D. 6
0033	CR0736470	CONDUTTURA EROGATORE PENTOLE 700 M80
0034	MA2867700	GASKET [C] 9,19X2,62
0035	CR0682340	NUT [C]
0036	CR1220380R	SOLENOID VALVE [C] WATER
0037	CR0587770	LEVEL TAP [C]
0038	CR0735640	DRAIN TAP [C]
0039	CR0735650	GASKET [C] TAP
0040	CR0736070	LOCK NUT [C]
0041	CR0736610	NIPPLE [C]
0042	MA111700	PROTECTION GRID [C] PAN DRAIN
0043	MA6086113	FOOT ASSEMBLY [C] H. 200
0044	MA14047599	TAPPO FEMMINA 3/4" FIG.300 GHISA / ZN
0045	MA489700	HANDLE [C]
0046	MA1681614	EXTENSION [C]



 MARENO ALI spa Mareno di Piave (TV)	COTTURA STAR 70		NP78	
	PENTOLE PARTICOLARI COMUNI			
	3_ST70_076_8_00		0916	Pag. 1.1

Pos	Code	Description
0003	MA1420925	GASKET [C] TAP
0004	MA77122400	GREASE [C]