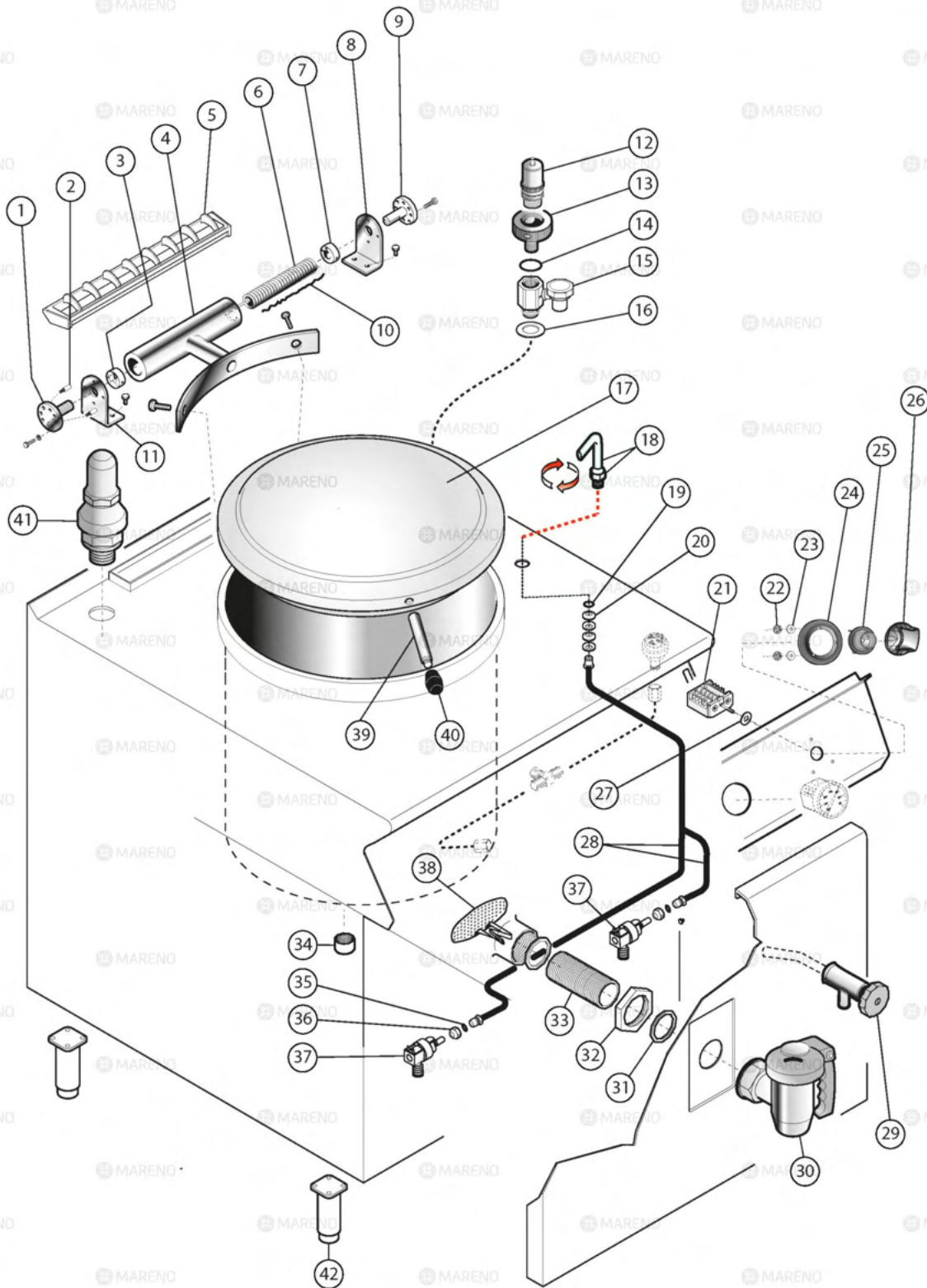


ID GAS: □ G30/50 ◆ G30/37 ■ G30/29 ○ G20/20 ◇ G20/25 ● G25/25 ⊕ G25.1/25 ★ G25/20 ⚡ G120/8 ⊙ G110/8

<p>MARENO ALI spa Mareno di Piave (TV)</p>	COTTURA STAR 70		NPI76G5	
	PENTOLE INDIRETTE A GAS			
	3_ST70_073_6_00		0916	Pag. 1.1

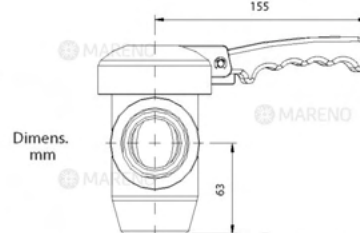
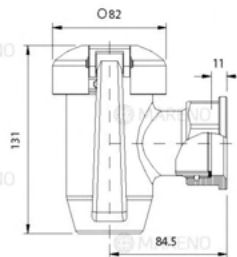
Pos	Code	Description
0001	CR0580380	PROTECTION GRID [C] SMOKE DRAIN M60
0002	CR0686160	ENVELOPE WITH TRISODIUM PHOSFATE [C]
0003	CR0682610	PIPE [C] INDIRECT PANS GAUGE
0004	CR0682590	CONNECTOR [C]
0005	CR0682600	PIPE [C] PANS PRESSURE SWITCH
0006	CR0587800	PRESSURE SWITCH [C]
0007	CR0735950	CRUSCOTTO PENTOLE INDIRETTE M60
0008	CR0589110	GAUGE [C]
0009	CR0682520	RED PILOT LAMP [C]
0010	CR1094330	KNOB [C] SHAFT D. 6
0011	CR0935250	BUSH [C]
0012	CR0589870	METAL LABEL [C]
0013	CR0587500	ORANGE PILOT LAMP [C]
0014	MA1326500	NUT [C] M16X1,5
0015	MA86720	BICONE [C] D. 10
0016	CR0508630	CONNECTOR [C] NOZZLE HOLDER
0017	CR0683890	AIR REGULATOR [C]
0018	CR0735590	CONDUTTURA BRUC.PENT.IND.50LT 700
0019	CR0589800	GASKET [C] VALVE PANS 900
0020	MA15860399	FLANGE [C]
0021	CR0589790	PROTECTION [C] GAS VALVE PAN 900
0022	MACM029100	THERMOCOUPLE [C] L 850
0023	MA1888300	IGNITOR [C]
0025	MA1888400	CONNECTOR [C] IGNITOR CLAMPING
0026	MA673600	BICONE [C] D. 4
0028	MA673500	NUT [C] M10X1
0029	MA1891700	CONNECTOR [C] THERMOCOUPLE
0030	MA1033700200	NUT [C] M14X1
0031	CR0683840	RELAY [C]
0033	MA2609500	CLOSING [C]
0034	MA1936400	IGNITOR CABLE SET [C] L. 800
0035	MA2971400	ELECTRICAL IGNITER [C]
0036	CR0588180	3 POLES TERMINAL BLOCK [C] 450V
0037	CR0506300	ELECTRIC NOISE FILTER [C]
0039	CR0682740	THERMOSTAT [C] PANS
0040	CR0586130	RAMP [C] PANS 900
0041	MACM088200	BURNER [C] PANS 700
0042	CR0682160R	HEATING ELEMENT [C] WATER DETECTION
0043	CR0682770	GASKET [C] HEATING ELEMENT
0045	LA65080250	ENERGY REGULATOR [C]
0047	MA1421000	NUT [C] M24X1,5
0048	MA1127400	BICONE [C] D. 16
0049	MA1953700	NIPPLE [C]
0050	CR0507660	REGULATOR [C]
0051	MA1871200	VALVE [C] 230V
0052	MA5142000	PRESSURE REGULATOR [C]
0053	MA673100	NUT [C] M20X1,5


Pos	Code	Description
0054	BN6A016300	BICONE [C] D. 12
0055	CR0588920	NIPPLE [C]
0056	MA1880600	CONNECTOR [C]
0057	MA2865800	CONNECTOR [C]
0902	CR0736870	UGELLO LUNGO /490
0902	MA1033717800	NOZZLE [C] D. 260
0902	MA1630800	NOZZLE [C] D. 155
0902	MA1631100	NOZZLE [C] D. 250
0902	MA1631200	NOZZLE [C] D. 160
0902	MA1880800	NOZZLE [C] D. 275
0902	MA2902500	NOZZLE [C] D. 145
0902	MA5152800	NOZZLE [C] D. 440
0902	MA796400	NOZZLE [C] D. 230
0903	MA1033719600	NOZZLE [C] D. 20 PILOT
0903	MA1033719700	NOZZLE [C] D. 41 PILOT
0903	MA1033719800	NOZZLE [C] D. 75 PILOT
0903	MA1874700	NOZZLE [C] D. 25 PILOT



 MARENO ALI spa Mareno di Piave (TV)	COTTURA STAR 70		NPI76-NPD76	
	PENTOLE GAS ED ELETTRICHE PARTICOLARI COMUNI			
	3_ST70_071_6_00		0916	Pag. 1.1

Pos	Code	Description
0001	MACM051503	FIXED PIN [C] HINGE
0002	MACM052201	PIN [C] PANS HINGE
0003	MACM051403	LEFT BUSH [C] FOR PANS HINGE
0004	MACM181200	HINGE [C] FOR PANS 50L
0005	CR0580380	PROTECTION GRID [C] SMOKE DRAIN M60
0006	MA139732	SPRING [C] HINGE
0007	MACM192101	RUGHT BUSH [C] FOR BRATT PAN
0008	MACM192401	RIGHT SUPPORT [C] HINGE
0009	MACM051604	CHARGE PIN [C] HINGE
0010	CR1078870	SINT GREASE MP 260/0 KG.5
0011	MACM051903	LEFT SUPPORT [C] HINGE
0012	CR0587810	VALVE [C]
0013	CR0587830	SUPPORT [C] VALVE
0014	CR0587840	GASKET [C] 28X3
0015	CR0599520	CONDENSATE DRAIN [C] PAN
0016	CR0824290	INOX WASHER [C] 40X28X10
0017	MA1675514	COVER [C] PAN 50L
0018	CR1090060	ADAPTER [C]
0019	CR0682650	GASKET [C]
0020	CR0682570	SPRING [C] UNI 8737-B 40 GR2-50Cr V4
0021	CR0581810	4 WAYS COMMUTATOR [C]
0022	CR0588950	EXTENSION [C] DRAIN PASTA COOKER 900
0024	CR0682580	METAL LABEL [C]
0025	CR0935250	BUSH [C]
0026	CR1094330	KNOB [C] SHAFT D. 6
0028	CR0735180	CONDUTTURA EROGATORE PENTOLE 700 M60
0029	CR0587770	LEVEL TAP [C]
0030	CR0735640	DRAIN TAP [C]
0031	CR0735650	GASKET [C] TAP
0032	CR0736070	LOCK NUT [C]
0033	CR0735560	NIPPLE [C] 11/2 PAN 50 LT 700
0034	MA14047599	TAPPO FEMMINA 3/4" FIG.300 GHISA / ZN
0035	MA2867700	GASKET [C] 9,19X2,62
0036	CR0682340	NUT [C]
0037	CR1220380R	SOLENOID VALVE [C] WATER
0038	MA111700	PROTECTION GRID [C] PAN DRAIN
0039	MA1681614	EXTENSION [C]
0040	MA489700	HANDLE [C]
0041	CR0587820	VALVE [C]
0042	MA6086113	FOOT ASSEMBLY [C] H. 200



 MARENO ALI spa Mareno di Piave (TV)	COTTURA STAR 70	NPI76-NPD76	
	PENTOLE GAS ED ELETTRICHE PARTICOLARI COMUNI		
	3_ST70_072_6_00	0916	Pag. 1.1

Pos	Code	Description
0002	CR0735640	DRAIN TAP [C]
0003	MA17000899	NASTRO SIGILLANTE LOCTITE 55 31934
0004	MA77123000	GASKET [C] DRAIN TAP 1 1/2
0006	MA77122400	GREASE [C]