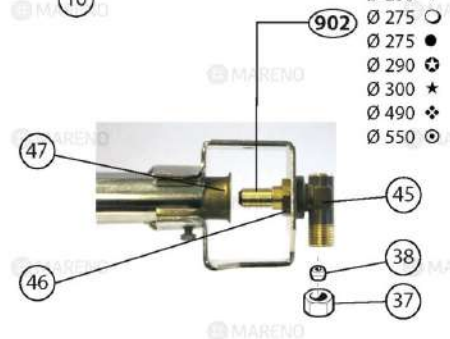
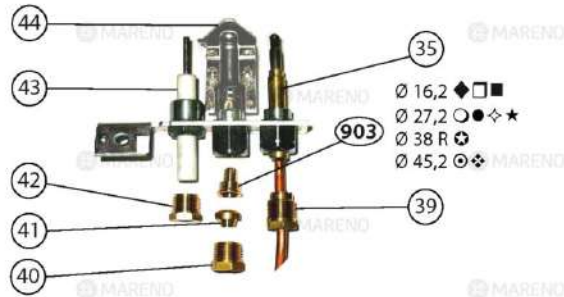
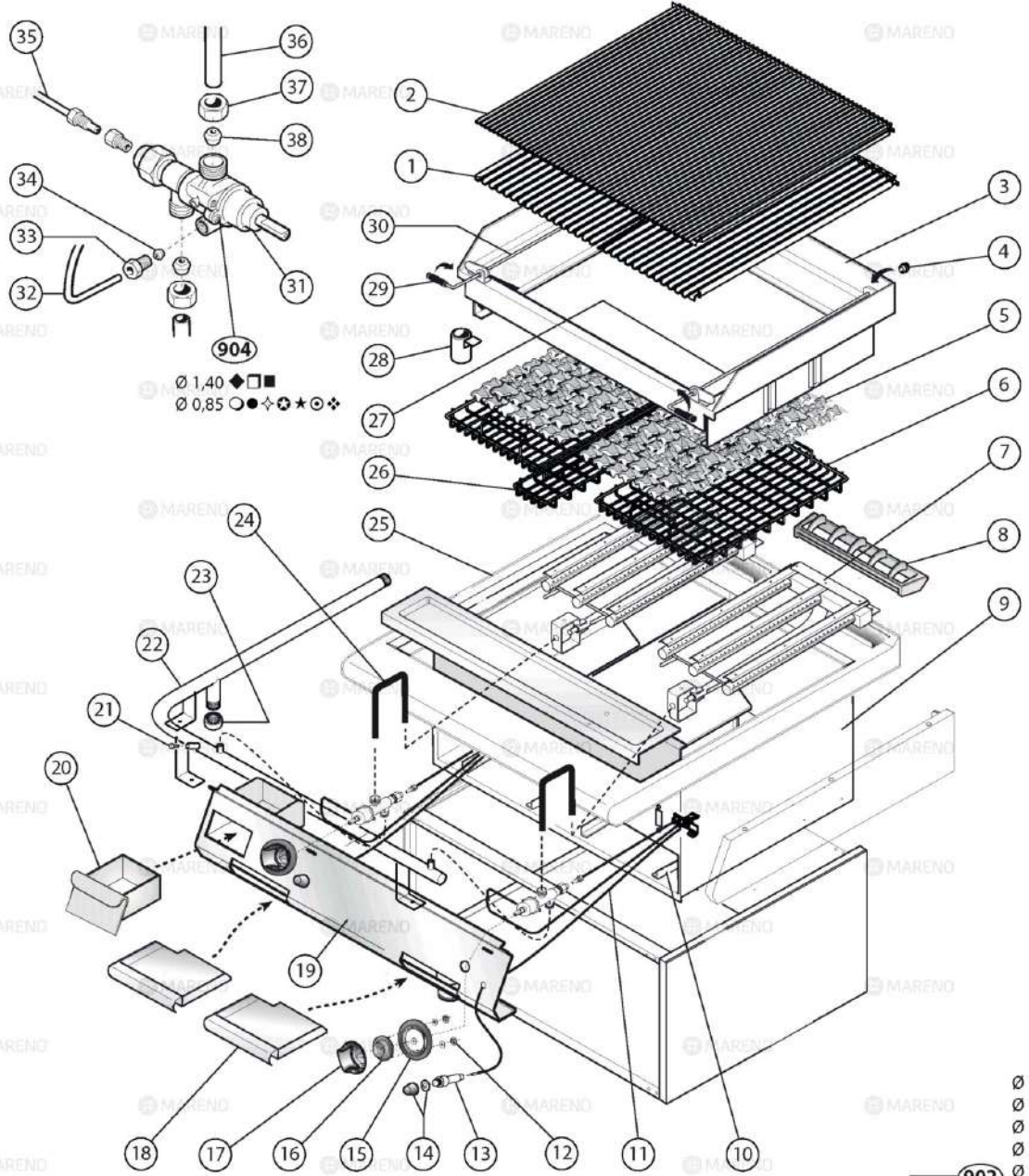


MARENO MARENO MARENO MARENO MARENO MARENO MARENO MARENO MARENO MARENO



ID GAS: □ G30/50 ◆ G30/37 ■ G30/29 ○ G20/20 ◇ G20/25 ● G25/25 ◊ G25.1/25 ★ G25/20 ✦ G120/8 ⊙ G110/8

<p>MARENO ALI spa Mareno di Piave (TV)</p>	<b>COTTURA STAR 90</b>		<b>NGPL98G</b>	
	<b>GRIGLIA PIETRALAVICA</b>			
	<b>3_ST90_075_8_00</b>		<b>0916</b>	<b>Pag. 1.1</b>

Pos	Code	Description
0001	BN2546610	COOKING GRID [C] PLG 80 94/04
0002	BN2546640	COOKING GRID [C] PLG 80 94/04
0003	CR0972790	CLOSING [C] PLG M80 900
0004	BN822120101	LIFTING DEVICE BUSH [C] FOR GRID PLG
0005	BN6A014900	LAVA STONE PACKAGE (4 kg) [C]
0006	BN2519602	SUPPORT [C] ROCKS PLG 90/04
0007	BN2519270	BURNER [C] CHARGRILL PLG 90/04
0008	CR0580640	PROTECTION GRID [C] SMOKE DRAIN M40
0009	CR0974060SK	ASS. INVOLUCRO BRUCIATORE PLG M80 900
0010	CR0973010	GUIDA CASSETTO PLG 90 BARON
0011	BN2510698	IGNITION CABLE [C] FTG CTG CBG 70/02 90/04
0012	CR0588950	EXTENSION [C] DRAIN PASTA COOKER 900
0013	MA1936100	PIEZO IGNITOR [C]
0014	MACM136100	WASHER [C]
0015	BN2510698	IGNITION CABLE [C] FTG CTG CBG 70/02 90/04
0016	CR0935250	BUSH [C]
0017	CR1094340	KNOB [C] SHAFT D. 8
0017	CR1094590	KNOB [C] SHAFT D.10
0018	CR0974670	DUST DRAWER [C] PLG 900 MARENO
0019	CR0974600V	ASS. CRUSCOTTO PLG GAS M80 MARENO VERN.
0020	CR0974640	DRAWER [C] PLG 90
0021	BN2510610	SCREW [C]
0022	CR0974720	ASS. RAMPA PLG TOP 90 M80 MA
0022	CR1026810	ASS. RAMPA TOP GLI M40 700 BARON
0023	BN6A020250	CAP [C] FEMALE 3/4
0023	CR0585540	CAP [C]
0024	CR0974730	PIPE [C] D.10 TAP/BURNER PLG 90 MAREN
0026	BN2519603	SUPPORT [C] ROCKS PLG 80 94/04
0027	BN2546590	ROD [C] PLG 90/04
0028	CR0974850	PIPE [C] OIL PLG 90
0029	BN824710510	KNOB [C] ROD PLG M8
0030	BN2546580	ROD [C] PLG 90/04
0031	BN6A013600	TAP [C]
0031	MA1888700	GAS TAP [C]
0032	CR0974860	PIPE [C] PLG 90 PILOT
0033	MA673500	NUT [C] M10X1
0034	MA673600	BICONE [C] D. 4
0035	MA1031504300	THERMOCOUPLE [C] L. 400
0036	CR0974730	PIPE [C] D.10 TAP/BURNER PLG 90 MAREN
0037	MA1326500	NUT [C] M16X1,5
0038	MA86720	BICONE [C] D. 10
0039	MA1891700	CONNECTOR [C] THERMOCOUPLE
0040	BN6A017000	NUT [C] D. 4
0041	BN6A016900	BICONE [C] D. 4
0042	MA1888400	CONNECTOR [C] IGNITOR CLAMPING
0043	BN6A013302	IGNITOR [C]
0044	BN6A013220	PILOT [C]

Pos	Code	Description
0045	MACM021700	NOZZLE HOLDER [C]
0046	MA1033700200	NUT [C] M14X1
0047	MACM072700	AIR REGULATOR BUSH [C] FOR GRID
0902	CR0736870	UGELLO LUNGO /490
0902	MA1630800	NOZZLE [C] D. 155
0902	MA1630900	NOZZLE [C] D. 255
0902	MA1631300	NOZZLE [C] D. 165
0902	MA1695300	NOZZLE [C] L. 300
0902	MA1880800	NOZZLE [C] D. 275
0902	MA2715200	NOZZLE [C] D. 290
0902	MA796200	NOZZLE [C] D. 180
0902	MACM029300	NOZZLE [C] D. 550
0903	BN2510332	NOZZLE TOWN GAS 45,2 (PIL.526F)
0903	BN2510716	NOZZLE [C] D. 45,2
0903	BN6A013230	NOZZLE MET.27 (PIL.526F+470F) G27.2
0903	BN6A013240	INJECTOR LPG 16 (PIL.526F+470F)
0904	BN6A023725	BY-PASS DIAM. 140 FOR GAS TAP 21 S
0904	MA1889000	SCREW MINIMUM [C] 0.85 GAS TAP 21S