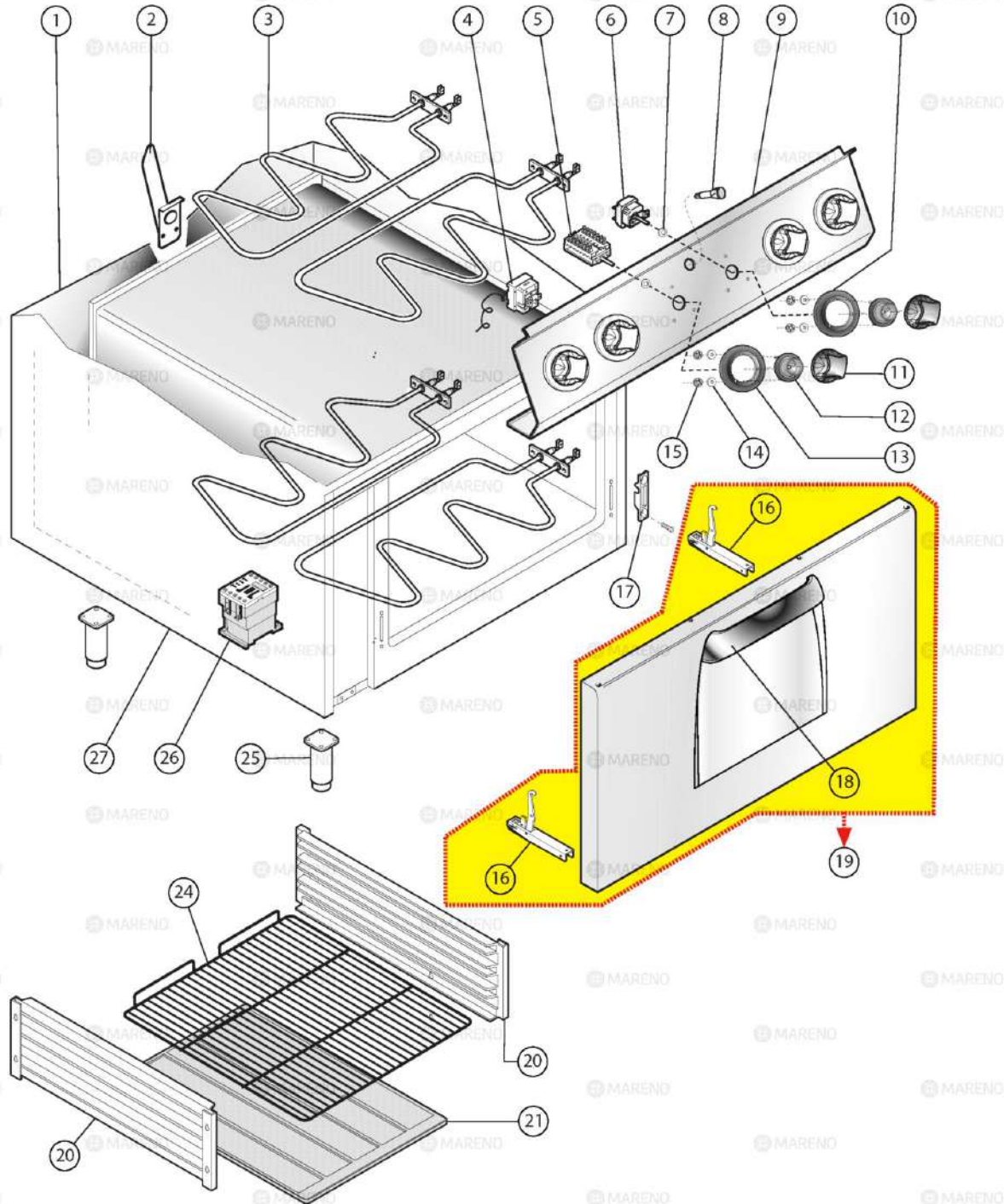


 MARENO ALI spa Mareno di Piave (TV)	COTTURA STAR 70	NC78E	
	PIANO COTTURA ELETTRICO		
	3_ST90_081_8_00	0916	Pag. 1.1

Pos	Code	Description
0001	MA1832313	ELECTRIC PLATE [C] 2600W
0001	MACM059900	ELECTRIC PLATE [C] 2000W
0004	CR0583511	PANEL [C] ELECTRICAL COOKER WITH OVEN M8
0005	CR1094330	KNOB [C] SHAFT D. 6
0006	MA9003088700	SPRING [C] KNOB
0007	CR0935250	BUSH [C]
0008	CR0585820	METAL LABEL [C]
0008	CR0585830	METAL LABEL [C]
0009	CR0588510	GASKET [C] CONTROL PANEL 900
0010	CR0588950	EXTENSION [C] DRAIN PASTA COOKER 900
0011	CR0587500	ORANGE PILOT LAMP [C]
0012	MA1616100	COMMUTATOR [C]
0013	CR0587650	GASKET [C] SHAFT
0014	MA1878400	TERMINAL BLOCK [C]
0015	CR0588170	6 POLES TERMINAL BLOCK [C] 450V
0017	CR0580640	PROTECTION GRID [C] SMOKE DRAIN M40



 MARENO ALI spa Mareno di Piave (TV)	COTTURA STAR 70		NC7FE8G	
	FORNO ELETTRICO			
	3_ST70_005_8_00		0916	Pag. 1.1

Pos	Code	Description
0002	CR0730550	ASS. SCARICO CONDENSA FORNO EL.700
0003	CR0681390	HEATING ELEMENT [C] OVEN 900
0004	MA1878500	THERMOSTAT [C] 360Â°C
0005	MA1309000	COMMUTATOR [C]
0006	MA1309115	THERMOSTAT [C] 0-300Â°C
0008	MA1037300910	ORANGE PILOT LAMP [C]
0009	CR0583511	PANEL [C] ELECTRICAL COOKER WITH OVEN M8
0010	CR0584020	METAL LABEL [C]
0011	CR1094330	KNOB [C] SHAFT D. 6
0012	CR0935250	BUSH [C]
0013	CR0682861	METAL LABEL [C]
0015	CR0588950	EXTENSION [C] DRAIN PASTA COOKER 900
0016	MACM041300	HINGE [C] FOR OVEN DOOR
0017	MA1304500	BRACKET [C] ROLLER HOLDER
0018	CR1094600R	HANDLE [C] OVEN STAR
0019	CR1093580R	DOOR [C] OVEN 700 STAR
0020	CR0730210	SUPPORT [C] GRIDS OVEN 700
0021	CR0975150	BOTTOM [C]
0024	MA2306800	SHELF GRID [C] GN 2/1
0025	MA6086113	FOOT ASSEMBLY [C] H. 200
0027	CR0689040	LEFT SIDE PANEL [C] MONOBLOCK 700