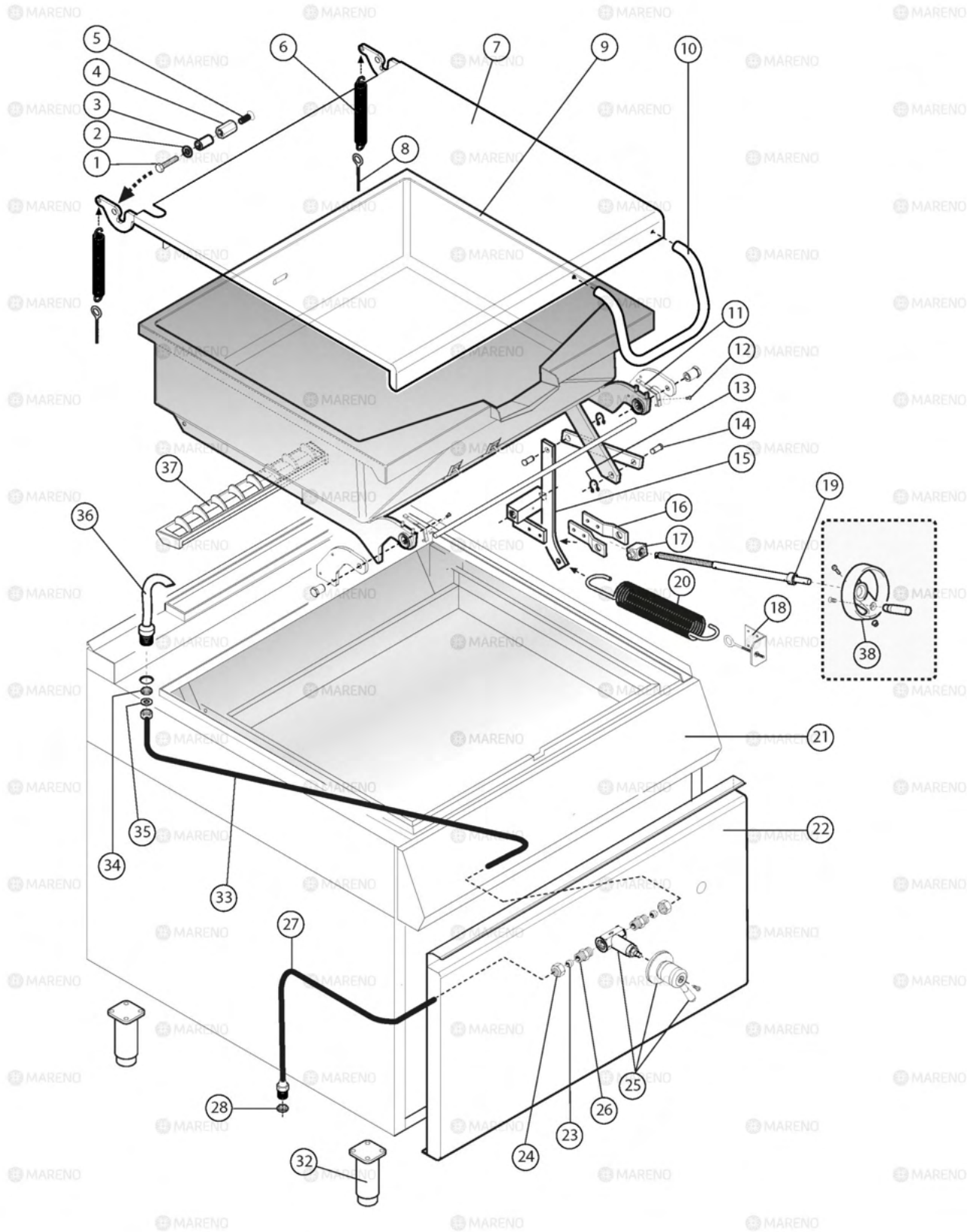



 MARENO ALI spa Mareno di Piave (TV)	COTTURA STAR 70	NBR78E	
	BRASIERA ELETTRICA		
	3_ST70_050_8_00	0916	Pag. 1.1

Pos	Code	Description
0001	CR0732991	WIRING [C] BRATT PAN 700
0002	CR0732870	HEATING ELEMENT [C] BRATT PAN 700
0003	CR0685060	SEDE BULBI BRASIERA EL. 900 M120
0005	MA1878500	THERMOSTAT [C] 360Â°C
0007	CR0587500	ORANGE PILOT LAMP [C]
0008	CR1094330	KNOB [C] SHAFT D. 6
0009	CR0935250	BUSH [C]
0010	CR0685100	METAL LABEL [C]
0011	CR0588950	EXTENSION [C] DRAIN PASTA COOKER 900
0012	MACM187301	CONTACTOR [C]
0013	MA1037111300	MICROSWITCH [C]
0014	MA1878400	TERMINAL BLOCK [C]
0015	MA1037114500	LOCK NUT [C]
0016	MA1037112400	FAIRLEAD [C]
0017	MACM199801	FLEXIBLE PIPE [C]
0018	CR0581280	THERMOSTAT [C]
0019	CR0588170	6 POLES TERMINAL BLOCK [C] 450V
0020	CR0683290	TIE ROD [C]
0020	CR0732840	BOX [C]



ID GAS: □ G30/50 ♦ G30/37 ■ G30/29 ○ G20/20 ✦ G20/25 ● G25/25 ⬠ G25.1/25 ★ G25/20 ✧ G120/8 ⊙ G110/8

 MARENO ALI spa Mareno di Piave (TV)	COTTURA STAR 70		NBR7 G/E	
	BRASIERA A GAS E ELETTRICHE PARTICOLARI COMUNI			
	3_ST70_047_8_00		0916	Pag. 1.1

Pos	Code	Description
0001	CR0682730	SCREW [C] M8X20 UNI EN ISO 24017
0002	MA15830699	WASHER [C]
0003	CR0681090	COVER BUSH [C] FOR BRATT PAN
0004	CR0681371	NUT [C]
0005	CR0585060	SCREW [C] M5X12 UNI EN ISO 7046
0006	CR0589520	SPRING [C] COVER BALANCING
0007	CR0732690	COVER [C] BRATT PAN 700
0008	CR0589730	SCREW COUPLING [C]
0010	CR0682470	HANDLE [C] BRATT PAN 900
0011	CR0681760	SUPPORT [C] CONTROL PANEL BRATT PAN
0012	MA15640499	SCREW [C] M5X8
0013	CR0589720	GASKET [C]
0014	CR0589710	PIN [C] CONNECTING ROD
0015	CR0736130	LIFTING SYSTEM [C] BRATT PAN TANK 700
0016	CR0589560	SUPPORT [C] FEMALE SCREW BRATT PAN
0017	MACM184300	NUT SCREW [C]
0018	CR0589730	SCREW COUPLING [C]
0019	CR0589590	SCREW [C] BRATT PAN 900
0020	CR0736120	SPRING [C] TANK BALANCING BRATT PAN
0023	BN6A016300	BICONE [C] D. 12
0024	MA673100	NUT [C] M20X1,5
0025	SI0102613	STOP TAP [C]
0026	CR0588920	NIPPLE [C]
0027	CR0736800	PIPE [C] BRATT PAN 700 WATER INLET
0028	MACM066200	NUT 1/2
0032	MA6086113	FOOT ASSEMBLY [C] H. 200
0033	CR0736770	PIPE [C] BRATT PAN 700 TAP
0034	MA14072299	GASKET [C] FLEX 1/2
0035	MACM066200	NUT 1/2
0036	CR0681381	TAP [C] BRATT PAN
0037	CR0580380	PROTECTION GRID [C] SMOKE DRAIN M60
0038	MA1475201	HANDWHEEL [C]