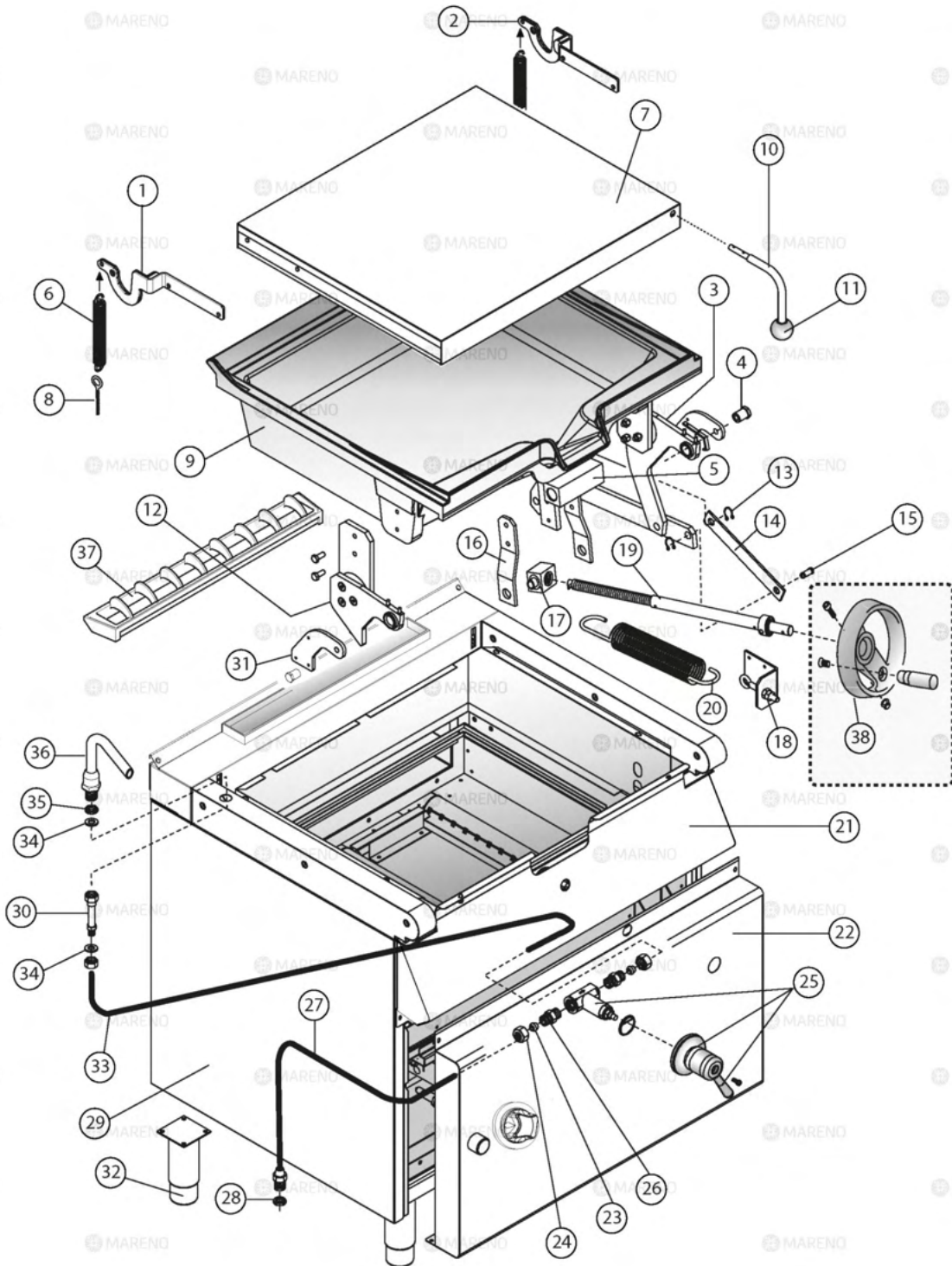



 MARENO ALI spa Mareno di Piave (TV)	<b>COTTURA STAR 70</b>		<b>NBR78EG</b>	
	<b>BRASIERA ELETTRICA - PIASTRA IN GHISA</b>			
	<b>3_ST70_051_8_00</b>		<b>0916</b>	<b>Pag. 1.1</b>

Pos	Code	Description
0001	CR0732991	WIRING [C] BRATT PAN 700
0002	BN6A050210	HEATING ELEMENT [C] 2350W 230V KB/70
0003	CR0844860	ASS.SEDE BULBI BRAS.VASCA GHISA ELE 70
0004	CR0842630	ASS.CRUSCOTTO BRAS.VAS.GHI.GAS 700
0005	MA1878500	THERMOSTAT [C] 360Â°C
0007	CR0587500	ORANGE PILOT LAMP [C]
0008	CR1094330	KNOB [C] SHAFT D. 6
0009	CR0935250	BUSH [C]
0010	CR0685100	METAL LABEL [C]
0011	CR0588950	EXTENSION [C] DRAIN PASTA COOKER 900
0012	MACM187301	CONTACTOR [C]
0013	MA1037111300	MICROSWITCH [C]
0014	CR0588170	6 POLES TERMINAL BLOCK [C] 450V
0015	MA1037114500	LOCK NUT [C]
0016	MA1037112400	FAIRLEAD [C]
0017	MACM199801	FLEXIBLE PIPE [C]
0018	CR0581280	THERMOSTAT [C]



ID GAS: □ G30/50   ◆ G30/37   ■ G30/29   ○ G20/20   ✦ G20/25   ● G25/25   ⬠ G25.1/25   ★ G25/20   ✧ G120/8   ⊙ G110/8

 MARENO ALI spa Mareno di Piave (TV)	<b>COTTURA STAR 70</b>		<b>NBR78GG</b>	
	<b>BRASIERA A GAS - VASCA IN GHISA</b>			
	3_ST70_049_8_00		0916	Pag. 1.1

Pos	Code	Description
0001	CR0842890	SUPPORTO COPERCHIO BRAS.VAS.GHISA SX
0002	CR0842900	SUPPORTO COPERCHIO BRAS.VAS.GHISA DX
0003	CR0842910	SUPPORTO DX VASCA BRAS.VAS.GHISA
0004	CR0589840	PIVOTING PIN [C] BRAT TANK
0005	CR0736130	LIFTING SYSTEM [C] BRATT PAN TANK 700
0006	CR0589520	SPRING [C] COVER BALANCING
0007	BN2544470	ASS.COP. BASC.KB VASCA GHIS80 74/02
0008	CR0589730	SCREW COUPLING [C]
0009	BN2519900	TANK [C]
0010	BN2519912	HANDLE [C] KB 80 74/02
0011	BN6A019360	KNOB [C] PAN COVER PB841 M8 70/02
0012	CR0842920	SUPPORTO SX VASCA BRAS.VAS.GHISA
0013	CR0589720	GASKET [C]
0014	CR0738040	BIELLA BRASIERA 700
0015	CR0589710	PIN [C] CONNECTING ROD
0016	CR0589560	SUPPORT [C] FEMALE SCREW BRATT PAN
0017	MACM184300	NUT SCREW [C]
0018	CR0589730	SCREW COUPLING [C]
0019	CR0589590	SCREW [C] BRATT PAN 900
0020	CR0736120	SPRING [C] TANK BALANCING BRATT PAN
0021	CR0842620	ASS.CRUSCOTTO BRAS.VAS.GHI.EL. 700
0022	CR0683380	FRONT PANEL [C] M80
0023	BN6A016300	BICONE [C] D. 12
0024	BN6A016200	NUT [C] 20X1,5 D. 12
0025	SI0102613	STOP TAP [C]
0026	CR0588920	NIPPLE [C]
0027	CR0736800	PIPE [C] BRATT PAN 700 WATER INLET
0028	MACM066200	NUT 1/2
0029	CR0842780	FIANCO SX BRASIERA VASCA GHISA
0030	CR0939740	TRONCHETTO EROG.ACQUA BRASIERA VAS.GHISA
0031	CR0589782	SUPPORT [C] TANK BRATT PAN M120
0032	MA6086113	FOOT ASSEMBLY [C] H. 200
0033	CR0842710	CONDUTTURA EROGATORE BRASIERA VAS.GHISA
0034	MA14072299	GASKET [C] FLEX 1/2
0035	MACM066200	NUT 1/2
0036	MA450000	TAP [C] PANS
0037	CR0580380	PROTECTION GRID [C] SMOKE DRAIN M60
0038	MA1475201	HANDWHEEL [C]