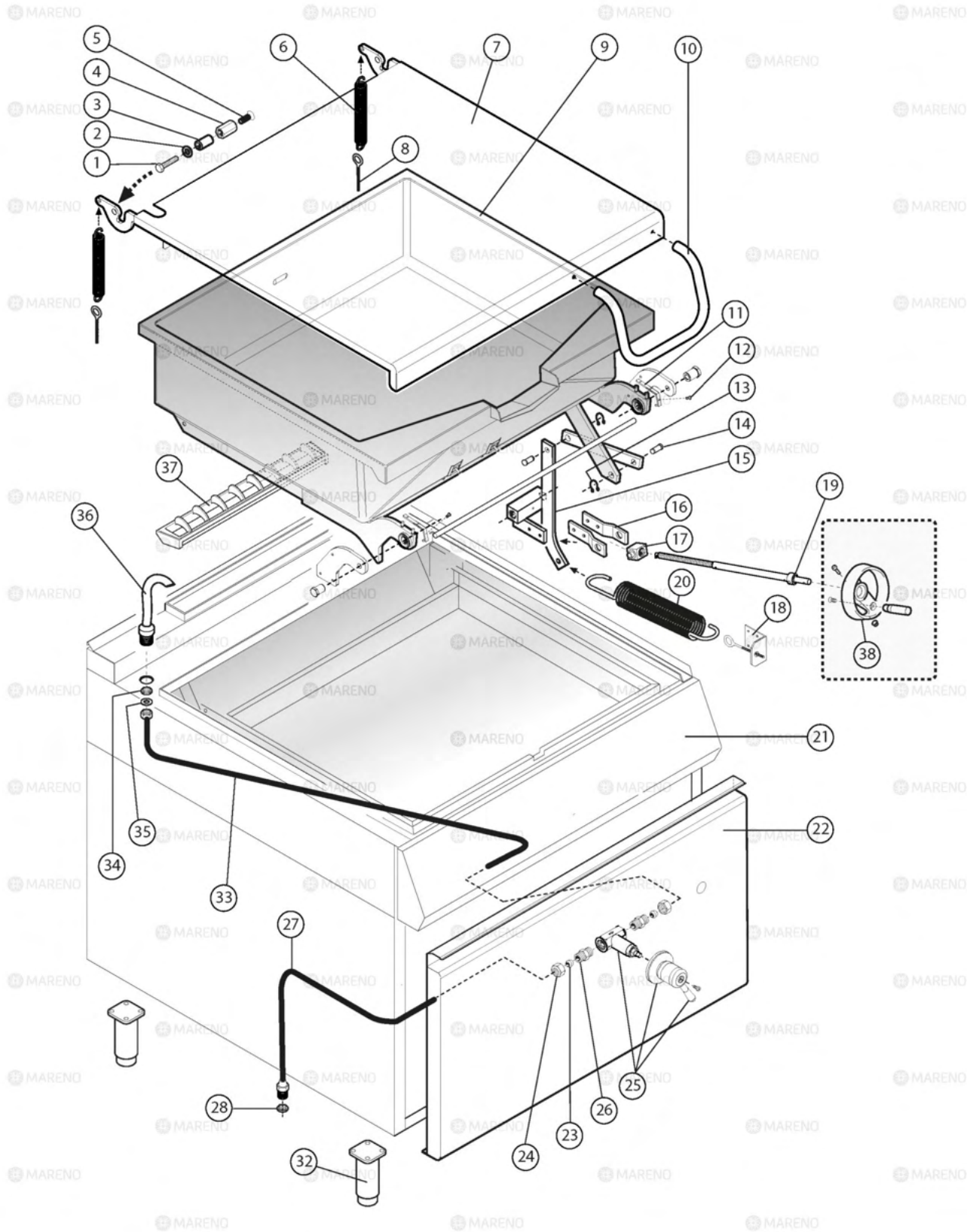



ID GAS: □ G30/50 ◆ G30/37 ■ G30/29 ○ G20/20 ◇ G20/25 ● G25/25 ◊ G25.1/25 * G25/20 ◈ G120/8 ○ G110/8

 MARENO ALI spa Mareno di Piave (TV)	COTTURA STAR 70		NBR78G	
	BRASIERA A GAS			
	3_ST70_046_8_00		0916	Pag. 1.1

Pos	Code	Description
0001	CR0733480	BULB HOLDER [C]
0002	MACM029100	THERMOCOUPLE [C] L 850
0003	MA1949900	IGNITOR [C]
0004	MACM029000	PILOT [C]
0005	MA1888100	BICONE [C] D. 4
0006	MA673500	NUT [C] M10X1
0007	MA1936400	IGNITOR CABLE SET [C] L. 800
0008	MA1891700	CONNECTOR [C] THERMOCOUPLE
0009	MA1888400	CONNECTOR [C] IGNITOR CLAMPING
0010	MA1345112	AIR REGULATOR BUSH [C]
0011	MA1033700200	NUT [C] M14X1
0012	CR0585660	NOZZLE HOLDER [C]
0013	MA86720	BICONE [C] D. 10
0014	MA1326500	NUT [C] M16X1,5
0015	MA1394700	BICONE CONNECTOR D. 4MM
0016	CR0797310	KNOB JOINT [C]
0017	CR0585671	VALVE [C]
0018	CR0732810	PIPE [C] BURNER BRATT PAN 700
0019	CR0588950	EXTENSION [C] DRAIN PASTA COOKER 900
0020	CR0585150	METAL LABEL [C]
0021	CR0935250	BUSH [C]
0022	CR1094360	KNOB [C] VALVE D. 10
0023	MACM136000	PROTECTION [C] PIEZO UNIT
0024	MA1936100	PIEZO IGNITOR [C]
0025	MA1888200	CAP [C]
0026	MA459300	CONNECTOR [C] PIPE /12
0027	MA417810	BICONE [C] D. 12
0028	MA459300	CONNECTOR [C] PIPE /12
0029	CR0732820	PIPE [C] BRATT PAN 700 PILOT
0030	CR0732740	RAMPA BRASIERA 700
0031	CR0732800LE	BRUCIATORE BRASIERA 700
0902	MA522611	NOZZLE [C] D. 165
0902	MA522811	NOZZLE [C] D. 175
0902	MA523111	NOZZLE [C] D. 190
0902	MA524611	NOZZLE [C] D. 265
0902	MA524911	NOZZLE [C] D. 280
0902	MA525211	UGELLO CORTO /300
0902	MA525311	UGELLO CORTO /310
0902	MA528211	UGELLO CORTO /600
0903	MA1887800	NOZZLE [C] D. 27 PILOT
0903	MA1887900	NOZZLE [C] D. 50 PILOT
0903	MA1888000	NOZZLE [C] D. 14 PILOT



ID GAS: □ G30/50 ◆ G30/37 ■ G30/29 ○ G20/20 ✦ G20/25 ● G25/25 ⬠ G25.1/25 ★ G25/20 ✧ G120/8 ⊙ G110/8

 MARENO ALI spa Mareno di Piave (TV)	COTTURA STAR 70		NBR7 G/E	
	BRASIERA A GAS E ELETTRICHE PARTICOLARI COMUNI			
	3_ST70_047_8_00		0916	Pag. 1.1

Pos	Code	Description
0001	CR0682730	SCREW [C] M8X20 UNI EN ISO 24017
0002	MA15830699	WASHER [C]
0003	CR0681090	COVER BUSH [C] FOR BRATT PAN
0004	CR0681371	NUT [C]
0005	CR0585060	SCREW [C] M5X12 UNI EN ISO 7046
0006	CR0589520	SPRING [C] COVER BALANCING
0007	CR0732690	COVER [C] BRATT PAN 700
0008	CR0589730	SCREW COUPLING [C]
0009	CR0732591	TANK [C]
0010	CR0682470	HANDLE [C] BRATT PAN 900
0011	CR0681760	SUPPORT [C] CONTROL PANEL BRATT PAN
0012	MA15640499	SCREW [C] M5X8
0013	CR0589720	GASKET [C]
0014	CR0589710	PIN [C] CONNECTING ROD
0015	CR0736130	LIFTING SYSTEM [C] BRATT PAN TANK 700
0016	CR0589560	SUPPORT [C] FEMALE SCREW BRATT PAN
0017	MACM184300	NUT SCREW [C]
0018	CR0589730	SCREW COUPLING [C]
0019	CR0589590	SCREW [C] BRATT PAN 900
0020	CR0736120	SPRING [C] TANK BALANCING BRATT PAN
0021	CR0732940	FRONT PANEL ASSEMBLY [C] BRATT PAN GAS 700
0022	CR0732720	FRONT PANEL [C] BRATT PAN 700
0023	BN6A016300	BICONE [C] D. 12
0024	MA673100	NUT [C] M20X1,5
0025	SI0102613	STOP TAP [C]
0026	CR0588920	NIPPLE [C]
0027	CR0736800	PIPE [C] BRATT PAN 700 WATER INLET
0028	MACM066200	NUT 1/2
0032	MA6086113	FOOT ASSEMBLY [C] H. 200
0033	CR0736770	PIPE [C] BRATT PAN 700 TAP
0034	MA14072299	GASKET [C] FLEX 1/2
0035	MACM066200	NUT 1/2
0036	CR0681381	TAP [C] BRATT PAN
0037	CR0580380	PROTECTION GRID [C] SMOKE DRAIN M60
0038	MA1475201	HANDWHEEL [C]