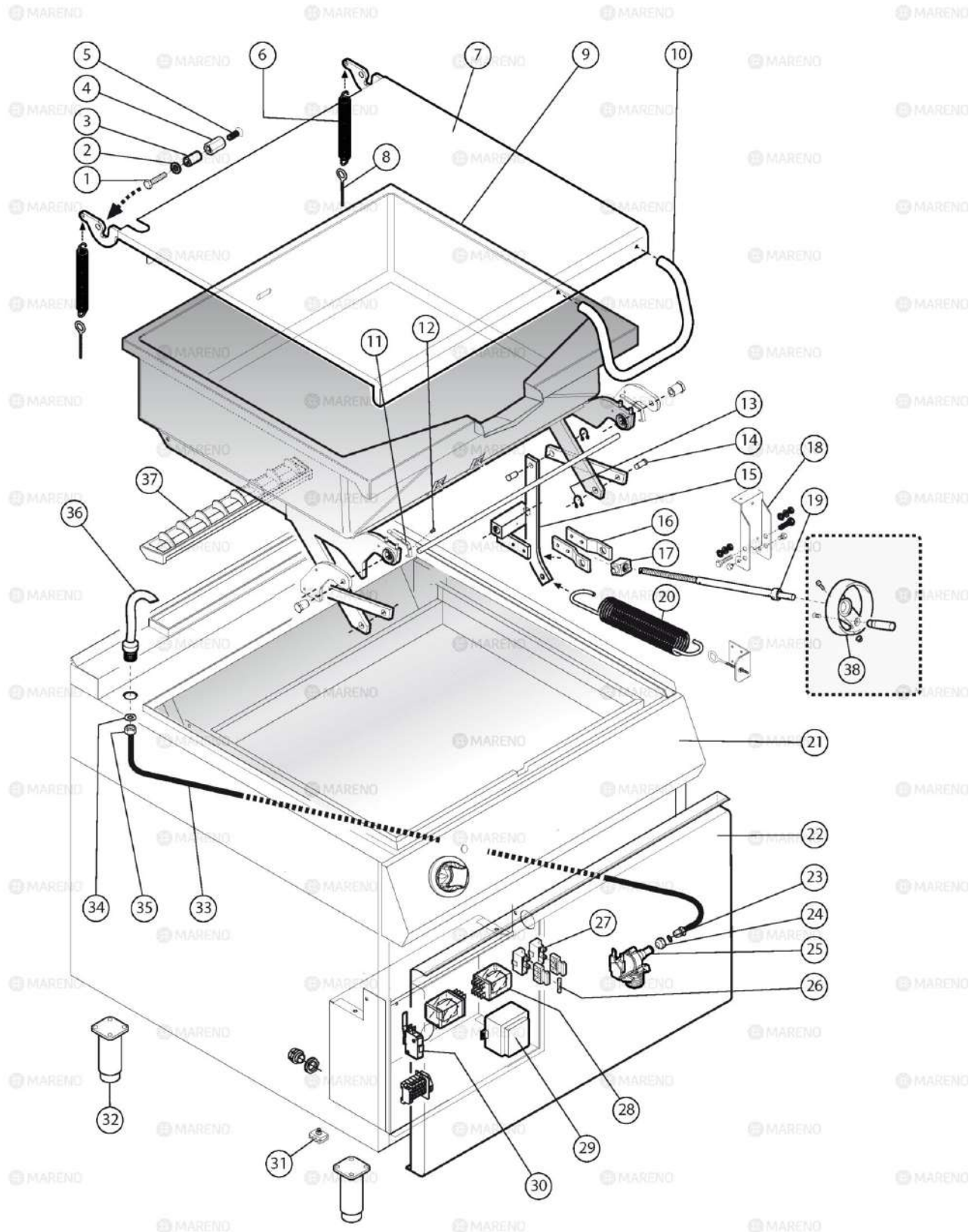


ID GAS: □ G30/50 ◆ G30/37 ■ G30/29 ◇ G20/20 ◊ G20/25 ● G25/25 ◊ G25.1/25 ★ G25/20 ◆ G120/8 ○ G110/8


| | | | | |
|---|-------------------------|--|----------------|-----------------|
|  MARENO ALI spa Mareno di Piave (TV) | COTTURA STAR 90 | | NBR912G | |
| | BRASIERA A GAS | | | |
| | 3_ST90_053_12_00 | | 0916 | Pag. 1.1 |

| Pos | Code | Description |
|------|--------------|--------------------------------------|
| 0001 | CR0686070 | SEDE BULBI BRASIERA GAS |
| 0002 | MACM029100 | THERMOCOUPLE [C] L 850 |
| 0003 | MA1949900 | IGNITOR [C] |
| 0004 | MACM029000 | PILOT [C] |
| 0005 | MA1888100 | BICONE [C] D. 4 |
| 0006 | MA673500 | NUT [C] M10X1 |
| 0007 | MA1936400 | IGNITOR CABLE SET [C] L. 800 |
| 0008 | CR0682411 | PIPE [C] BRATT PAN 900 PILOT |
| 0009 | MA1888400 | CONNECTOR [C] IGNITOR CLAMPING |
| 0010 | MA1891700 | CONNECTOR [C] THERMOCOUPLE |
| 0011 | MA1033700200 | NUT [C] M14X1 |
| 0012 | CR0840590 | CONDUTTURA BRUCIATORE BRASIERA M120 |
| 0013 | MA1326500 | NUT [C] M16X1,5 |
| 0014 | MA86720 | BICONE [C] D. 10 |
| 0015 | MA1878500 | THERMOSTAT [C] 360Â°C |
| 0016 | MA1394700 | BICONE CONNECTOR D. 4MM |
| 0017 | CR0587500 | ORANGE PILOT LAMP [C] |
| 0018 | CR0587650 | GASKET [C] SHAFT |
| 0019 | CR0588950 | EXTENSION [C] DRAIN PASTA COOKER 900 |
| 0020 | CR0685100 | METAL LABEL [C] |
| 0021 | CR0935250 | BUSH [C] |
| 0022 | CR1094330 | KNOB [C] SHAFT D. 6 |
| 0023 | CR0589790 | PROTECTION [C] GAS VALVE PAN 900 |
| 0024 | MA15860399 | FLANGE [C] |
| 0025 | CR0589800 | GASKET [C] VALVE PANS 900 |
| 0026 | CR0581280 | THERMOSTAT [C] |
| 0027 | MA1880600 | CONNECTOR [C] |
| 0028 | MA5142000 | PRESSURE REGULATOR [C] |
| 0029 | MA2971400 | ELECTRICAL IGNITER [C] |
| 0030 | CR0588180 | 3 POLES TERMINAL BLOCK [C] 450V |
| 0031 | CR0506300 | ELECTRIC NOISE FILTER [C] |
| 0032 | MA1878400 | TERMINAL BLOCK [C] |
| 0033 | CR0840631 | RAMP [C] BRATT PAN M120 |
| 0034 | CR0507660 | REGULATOR [C] |
| 0035 | MA1421000 | NUT [C] M24X1,5 |
| 0036 | MA1127400 | BICONE [C] D. 16 |
| 0037 | MA1953700 | NIPPLE [C] |
| 0038 | MA1871200 | VALVE [C] 230V |
| 0039 | CR0588920 | NIPPLE [C] |
| 0040 | MA417810 | BICONE [C] D. 12 |
| 0041 | MA673100 | NUT [C] M20X1,5 |
| 0042 | CR0585660 | NOZZLE HOLDER [C] |
| 0043 | CR0684100LE | BRUCIATORE BRASIERA 900 M120 |
| 0902 | MA523611 | NOZZLE [C] D. 215 |
| 0902 | MA523911 | NOZZLE [C] D. 230 |
| 0902 | MA524311 | NOZZLE [C] D. 250 |
| 0902 | MA525711 | NOZZLE [C] D. 350 |

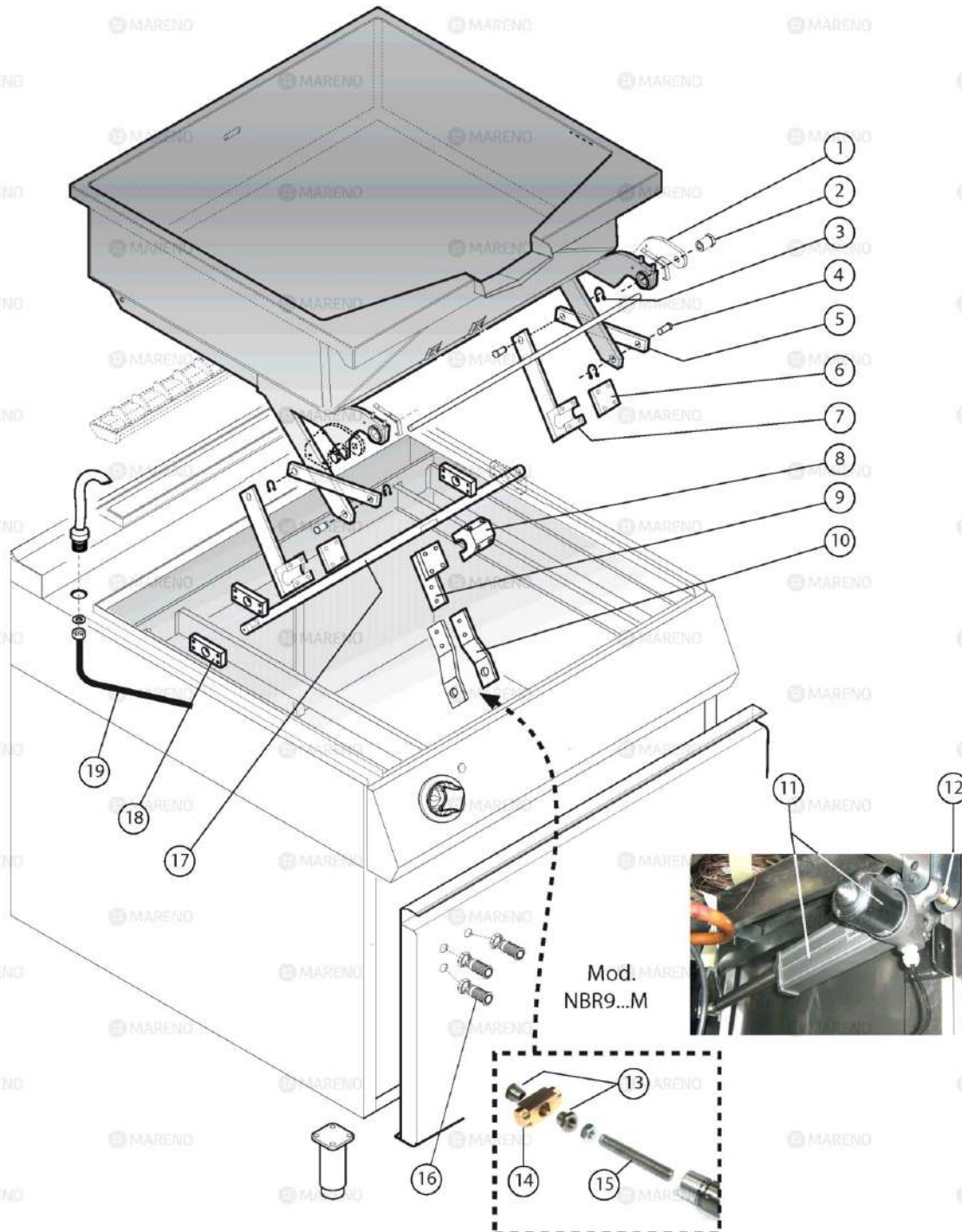
| Pos | Code | Description |
|------|-----------|------------------------|
| 0902 | MA526011 | NOZZLE [C] D. 380 |
| 0902 | MA526211 | NOZZLE [C] D. 400 |
| 0902 | MA526411 | NOZZLE [C] D. 420 |
| 0903 | MA1887800 | NOZZLE [C] D. 27 PILOT |
| 0903 | MA1888000 | NOZZLE [C] D. 14 PILOT |




ID GAS: □ G30/50 ◆ G30/37 ■ G30/29 ○ G20/20 ✦ G20/25 ● G25/25 ◊ G25.1/25 ★ G25/20 ✧ G120/8 ⊙ G110/8

| | | |
|---|---|----------------------|
|  MARENO ALI spa Mareno di Piave (TV) | COTTURA STAR 90 | NBR9_8_12 G/E |
| | BRASIERA A GAS E ELETTRICHE PARTICOLARI COMUNI | |
| | 3_ST90_051_8_12_00 | 0916 |

| Pos | Code | Description |
|------|--------------|---|
| 0001 | CR0682730 | SCREW [C] M8X20 UNI EN ISO 24017 |
| 0002 | MA15830699 | WASHER [C] |
| 0003 | CR0681090 | COVER BUSH [C] FOR BRATT PAN |
| 0004 | CR0681371 | NUT [C] |
| 0005 | CR0686220 | SCREW [C] M5X8 UNI EN ISO 7046 |
| 0006 | CR0687090 | SPRING [C] COVER BALANCING |
| 0007 | CR0684090 | COVER [C] BRATT PAN 900 M120 |
| 0008 | CR0589730 | SCREW COUPLING [C] |
| 0009 | CR0684122 | ASSIEME VASCA FERRO BRASIERA 900 M120 |
| 0010 | CR0682470 | HANDLE [C] BRATT PAN 900 |
| 0011 | CR0681760 | SUPPORT [C] CONTROL PANEL BRATT PAN |
| 0012 | MA15640499 | SCREW [C] M5X8 |
| 0013 | CR0589720 | GASKET [C] |
| 0014 | CR0589710 | PIN [C] CONNECTING ROD |
| 0015 | CR0589360 | LIFTING DEVICE [C] TANK BRATT PAN |
| 0016 | CR0589560 | SUPPORT [C] FEMALE SCREW BRATT PAN |
| 0017 | MACM184300 | NUT SCREW [C] |
| 0018 | CR0682191 | SUPPORT [C] SCREW ACTUATOR BRATT PAN 900 |
| 0019 | CR0589590 | SCREW [C] BRATT PAN 900 |
| 0020 | CR0589690 | SPRING [C] TANK BALANCING BRATT PAN |
| 0021 | CR0684611 | FRONT PANEL ASSEMBLY [C] BRATT PAN 900 M120 |
| 0022 | CR0683992 | FRONT PANEL [C] M120 900 |
| 0023 | MA2867700 | GASKET [C] 9,19X2,62 |
| 0024 | CR0682340 | NUT [C] |
| 0025 | CR1220380R | SOLENOID VALVE [C] WATER |
| 0026 | CR0687731 | FUSE [C] 250V 5A |
| 0027 | CR1226350 | FUSE CARRIER [C] |
| 0028 | CR0687240 | RELAY [C] |
| 0029 | CR0684780 | TRANSFORMER [C] 230/24V |
| 0030 | MA1037111300 | MICROSWITCH [C] |
| 0031 | MA1878400 | TERMINAL BLOCK [C] |
| 0032 | MA6086113 | FOOT ASSEMBLY [C] H. 200 |
| 0033 | CR0840600 | PIPE [C] BRATT PAN M80-120 |
| 0034 | MA14072299 | GASKET [C] FLEX 1/2 |
| 0035 | MACM066200 | NUT 1/2 |
| 0036 | CR0681381 | TAP [C] BRATT PAN |
| 0037 | CR0580380 | PROTECTION GRID [C] SMOKE DRAIN M60 |
| 0038 | MA1475201 | HANDWHEEL [C] |



ID GAS: □ G30/50 ♦ G30/37 ■ G30/29 ○ G20/20 † G20/25 ● G25/25 ◇ G25.1/25 ★ G25/20 ‡ G120/8 ⊙ G110/8

| | | |
|---|---|----------------------|
|  MARENO ALI spa Mareno di Piave (TV) | COTTURA STAR 90 | NBR9_8_12 G/E |
| | BRASIERA A GAS E ELETTRICHE PARTICOLARI COMUNI | |
| | 3_ST90_052_8_12_00 | 0916 |

| Pos | Code | Description |
|------|-----------|---|
| 0001 | CR0589782 | SUPPORT [C] TANK BRATT PAN M120 |
| 0002 | CR0589840 | PIVOTING PIN [C] BRAT TANK |
| 0003 | CR0589720 | GASKET [C] |
| 0004 | CR0589710 | PIN [C] CONNECTING ROD |
| 0005 | CR0589510 | CONNECTING ROD [C] |
| 0006 | CR0840620 | PLATE [C] |
| 0008 | CR0841370 | SUPPORT LIFTING SYSTEM [C] M120 |
| 0009 | CR0840641 | LIFTING SYSTEM [C] CENTER TANK BRATT PAN M120 |
| 0010 | CR0589560 | SUPPORT [C] FEMALE SCREW BRATT PAN |
| 0011 | CR0684360 | ACTUATOR [C] |
| 0012 | CR0684320 | SPACER [C] ACTUATOR |
| 0013 | CR0684310 | RING NUT [C] |
| 0014 | CR0684300 | HINGE [C] FRONT ACTUATOR FOR BRATT PAN |
| 0015 | CR0686360 | CONNECTION [C] |
| 0016 | CR0937810 | BUTTON [C] |
| 0017 | CR0797501 | SHAFT [C] LIFTING SYSTEM BRAT TANK M120 |
| 0018 | CR0797490 | SUPPORT [C] BUSH BRATT PAN M120 |
| 0019 | CR0840600 | PIPE [C] BRATT PAN M80-120 |