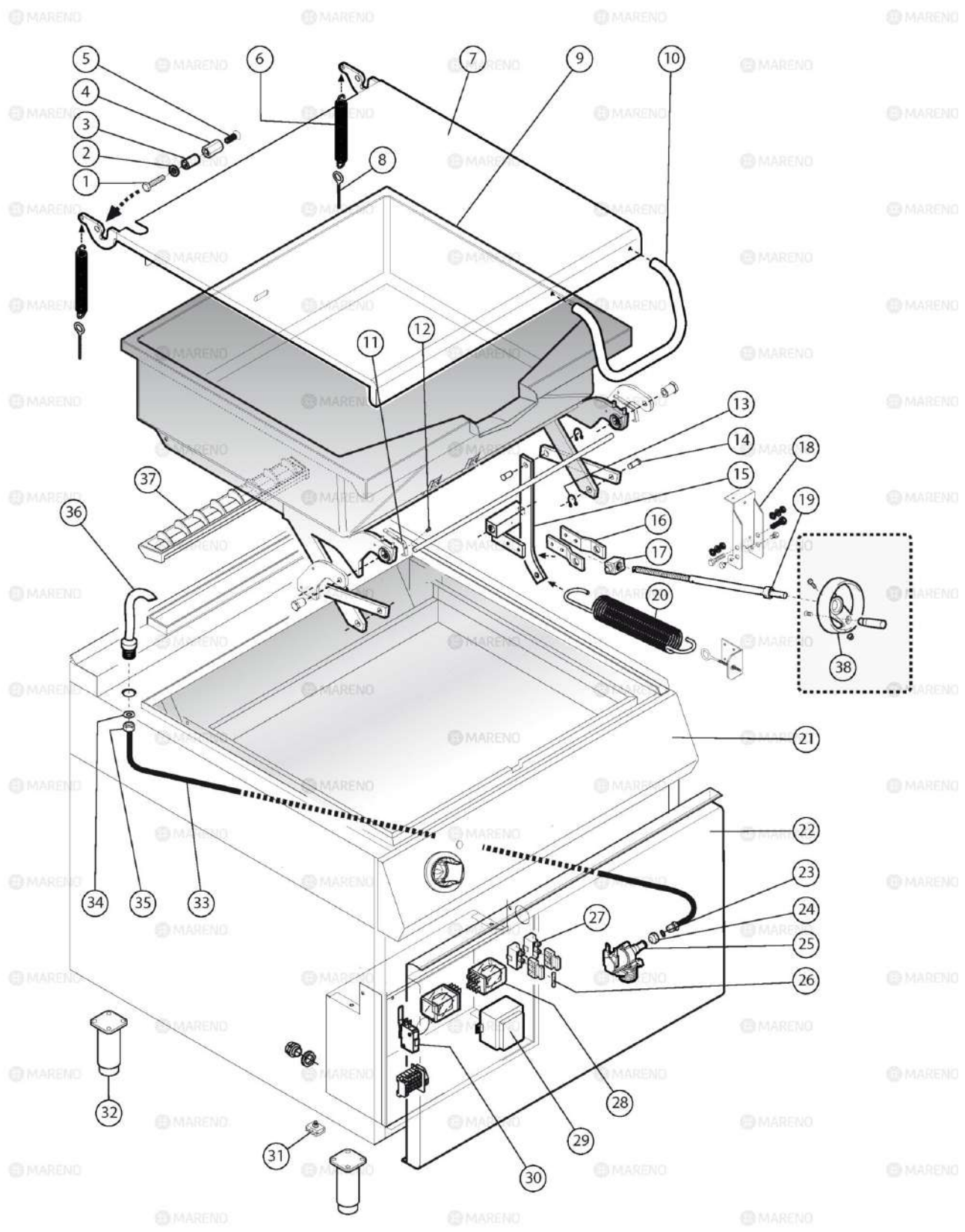


ID GAS: □ G30/50 ◆ G30/37 ■ G30/29 ◇ G20/20 ◇ G20/25 ● G25/25 ◊ G25.1/25 ★ G25/20 ◆ G120/8 ○ G110/8


 MARENO ALI spa Mareno di Piave (TV)	<b>COTTURA STAR 90</b>		<b>NBR98G</b>	
	<b>BRASIERA A GAS</b>			
	<b>3_ST90_050_8_00</b>		<b>0916</b>	<b>Pag. 1.1</b>

Pos	Code	Description
0001	CR0686070	SEDE BULBI BRASIERA GAS
0002	MACM029100	THERMOCOUPLE [C] L 850
0003	MA1949900	IGNITOR [C]
0004	MACM029000	PILOT [C]
0005	MA1888100	BICONE [C] D. 4
0006	MA673500	NUT [C] M10X1
0007	MA1936400	IGNITOR CABLE SET [C] L. 800
0008	CR0682411	PIPE [C] BRATT PAN 900 PILOT
0009	MA1888400	CONNECTOR [C] IGNITOR CLAMPING
0010	MA1891700	CONNECTOR [C] THERMOCOUPLE
0011	MA1033700200	NUT [C] M14X1
0012	CR0682402	PIPE [C] BURNER BRATT PAN 900 M80
0013	MA1326500	NUT [C] M16X1,5
0014	MA86720	BICONE [C] D. 10
0015	MA1878500	THERMOSTAT [C] 360Â°C
0016	MA1394700	BICONE CONNECTOR D. 4MM
0017	CR0587500	ORANGE PILOT LAMP [C]
0019	CR0588950	EXTENSION [C] DRAIN PASTA COOKER 900
0020	CR0685100	METAL LABEL [C]
0021	CR0935250	BUSH [C]
0022	CR1094330	KNOB [C] SHAFT D. 6
0023	CR0589790	PROTECTION [C] GAS VALVE PAN 900
0024	MA15860399	FLANGE [C]
0025	CR0589800	GASKET [C] VALVE PANS 900
0026	CR0581280	THERMOSTAT [C]
0027	MA1880600	CONNECTOR [C]
0028	MA5142000	PRESSURE REGULATOR [C]
0029	MA2971400	ELECTRICAL IGNITER [C]
0030	CR0588180	3 POLES TERMINAL BLOCK [C] 450V
0031	CR0506300	ELECTRIC NOISE FILTER [C]
0032	MA1878400	TERMINAL BLOCK [C]
0033	CR0840631	RAMP [C] BRATT PAN M120
0034	CR0507660	REGULATOR [C]
0035	MA1421000	NUT [C] M24X1,5
0036	MA1127400	BICONE [C] D. 16
0037	MA1953700	NIPPLE [C]
0038	MA1871200	VALVE [C] 230V
0039	CR0588920	NIPPLE [C]
0040	MA417810	BICONE [C] D. 12
0041	MA673100	NUT [C] M20X1,5
0042	CR0585660	NOZZLE HOLDER [C]
0043	CR0681402LE	BRUCIATORE BRASIERA 900 M80
0902	MA523211	NOZZLE [C] D. 195
0902	MA523511	NOZZLE [C] D. 210
0902	MA523811	NOZZLE [C] D. 225
0902	MA525411	UGELLO CORTO /215
0902	MA525611	NOZZLE [C] D. 340

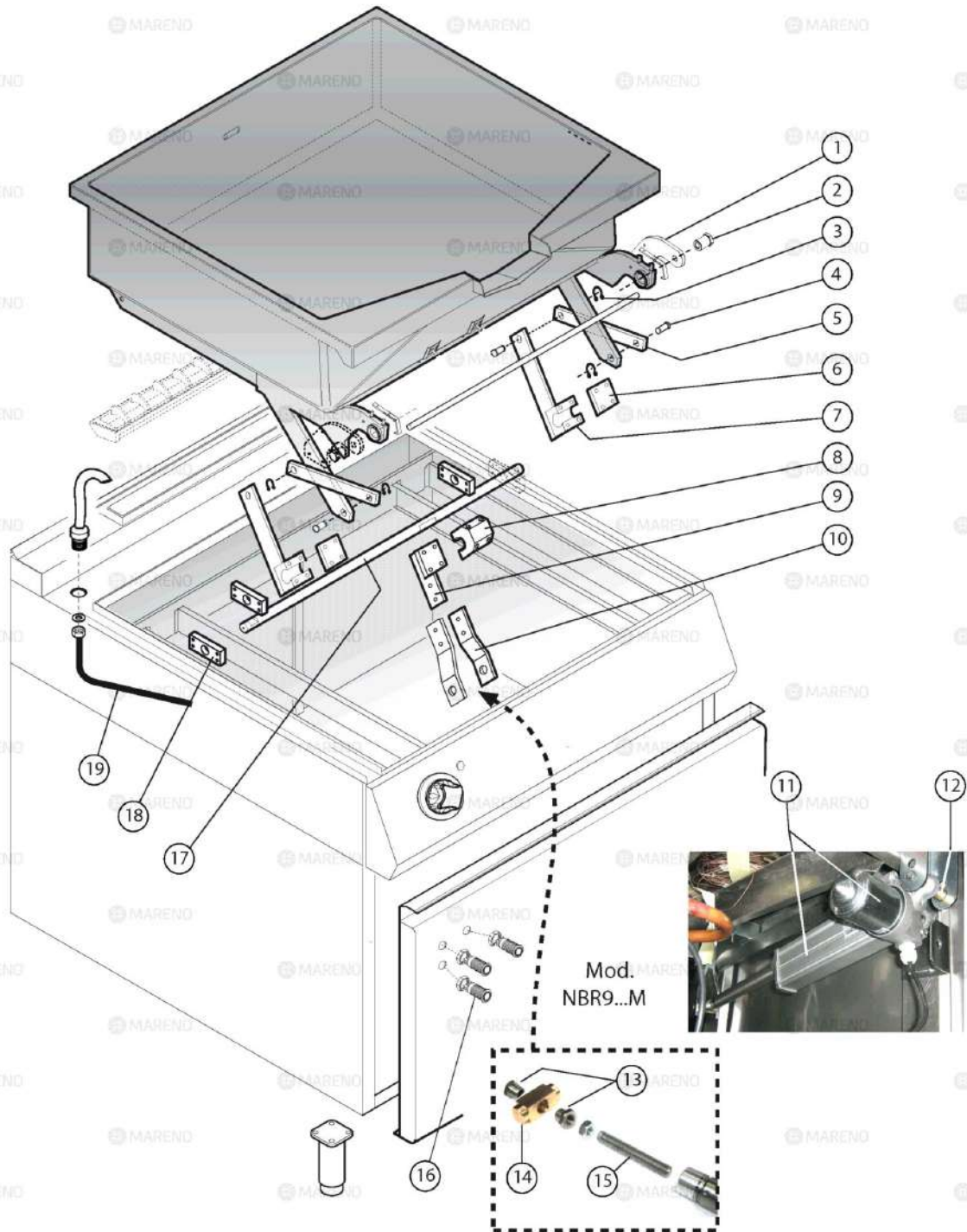
Pos	Code	Description
0902	MA525811	NOZZLE [C] D. 360
0902	MA525911	NOZZLE [C] D. 370
0903	MA1887800	NOZZLE [C] D. 27 PILOT
0903	MA1888000	NOZZLE [C] D. 14 PILOT




ID GAS: □ G30/50   ♦ G30/37   ■ G30/29   ○ G20/20   ✦ G20/25   ● G25/25   ◇ G25.1/25   ★ G25/20   ✧ G120/8   ⊗ G110/8

 MARENO ALI spa Mareno di Piave (TV)	<b>COTTURA STAR 90</b>	<b>NBR9_8_12 G/E</b>
	<b>BRASIERA A GAS E ELETTRICHE PARTICOLARI COMUNI</b>	
	<b>3_ST90_051_8_12_00</b>	<b>0916</b>

Pos	Code	Description
0001	CR0682730	SCREW [C] M8X20 UNI EN ISO 24017
0002	MA15830699	WASHER [C]
0003	CR0681090	COVER BUSH [C] FOR BRATT PAN
0004	CR0681371	NUT [C]
0005	CR0686220	SCREW [C] M5X8 UNI EN ISO 7046
0006	CR0589520	SPRING [C] COVER BALANCING
0007	CR0681270	COVER [C] BRATT PAN 900 M80
0008	CR0589730	SCREW COUPLING [C]
0009	CR0589772	TANK [C]
0010	CR0682470	HANDLE [C] BRATT PAN 900
0011	CR0681760	SUPPORT [C] CONTROL PANEL BRATT PAN
0012	MA15640499	SCREW [C] M5X8
0013	CR0589720	GASKET [C]
0014	CR0589710	PIN [C] CONNECTING ROD
0015	CR0589360	LIFTING DEVICE [C] TANK BRATT PAN
0016	CR0589560	SUPPORT [C] FEMALE SCREW BRATT PAN
0017	MACM184300	NUT SCREW [C]
0018	CR0682191	SUPPORT [C] SCREW ACTUATOR BRATT PAN 900
0019	CR0589590	SCREW [C] BRATT PAN 900
0020	CR0589690	SPRING [C] TANK BALANCING BRATT PAN
0021	CR0732950	FRONT PANEL ASSEMBLY [C] ELECTRIC BRATT PAN 700
0022	CR0681661	FRONT PANEL [C] M80 900
0023	MA2867700	GASKET [C] 9,19X2,62
0024	CR0682340	NUT [C]
0025	CR1220380R	SOLENOID VALVE [C] WATER
0026	CR0687731	FUSE [C] 250V 5A
0027	CR1226350	FUSE CARRIER [C]
0030	MA1037111300	MICROSWITCH [C]
0031	MA1878400	TERMINAL BLOCK [C]
0032	MA6086113	FOOT ASSEMBLY [C] H. 200
0033	CR0682430	PIPE [C] BRATT PAN 900 TAP
0034	MA14072299	GASKET [C] FLEX 1/2
0035	MACM066200	NUT 1/2
0036	CR0681381	TAP [C] BRATT PAN
0037	CR0580380	PROTECTION GRID [C] SMOKE DRAIN M60
0038	MA1475201	HANDWHEEL [C]



ID GAS: □ G30/50   ♦ G30/37   ■ G30/29   ○ G20/20   ✦ G20/25   ● G25/25   ◊ G25.1/25   ★ G25/20   ✧ G120/8   ⊙ G110/8

 MARENO ALI spa Mareno di Piave (TV)	<b>COTTURA STAR 90</b>	<b>NBR9_8_12 G/E</b>
	<b>BRASIERA A GAS E ELETTRICHE PARTICOLARI COMUNI</b>	
	<b>3_ST90_052_8_12_00</b>	<b>0916</b>

Pos	Code	Description
0001	CR0589782	SUPPORT [C] TANK BRATT PAN M120
0002	CR0589840	PIVOTING PIN [C] BRAT TANK
0003	CR0589720	GASKET [C]
0004	CR0589710	PIN [C] CONNECTING ROD
0005	CR0589510	CONNECTING ROD [C]
0006	CR0840620	PLATE [C]
0008	CR0841370	SUPPORT LIFTING SYSTEM [C] M120
0009	CR0840641	LIFTING SYSTEM [C] CENTER TANK BRATT PAN M120
0010	CR0589560	SUPPORT [C] FEMALE SCREW BRATT PAN
0011	CR0684360	ACTUATOR [C]
0012	CR0684320	SPACER [C] ACTUATOR
0016	CR0937810	BUTTON [C]
0017	CR0939840	LIFTING SYSTEM [C] BRATT PAN TANK M80 (KB)
0018	CR0797490	SUPPORT [C] BUSH BRATT PAN M120
0019	CR0840600	PIPE [C] BRATT PAN M80-120