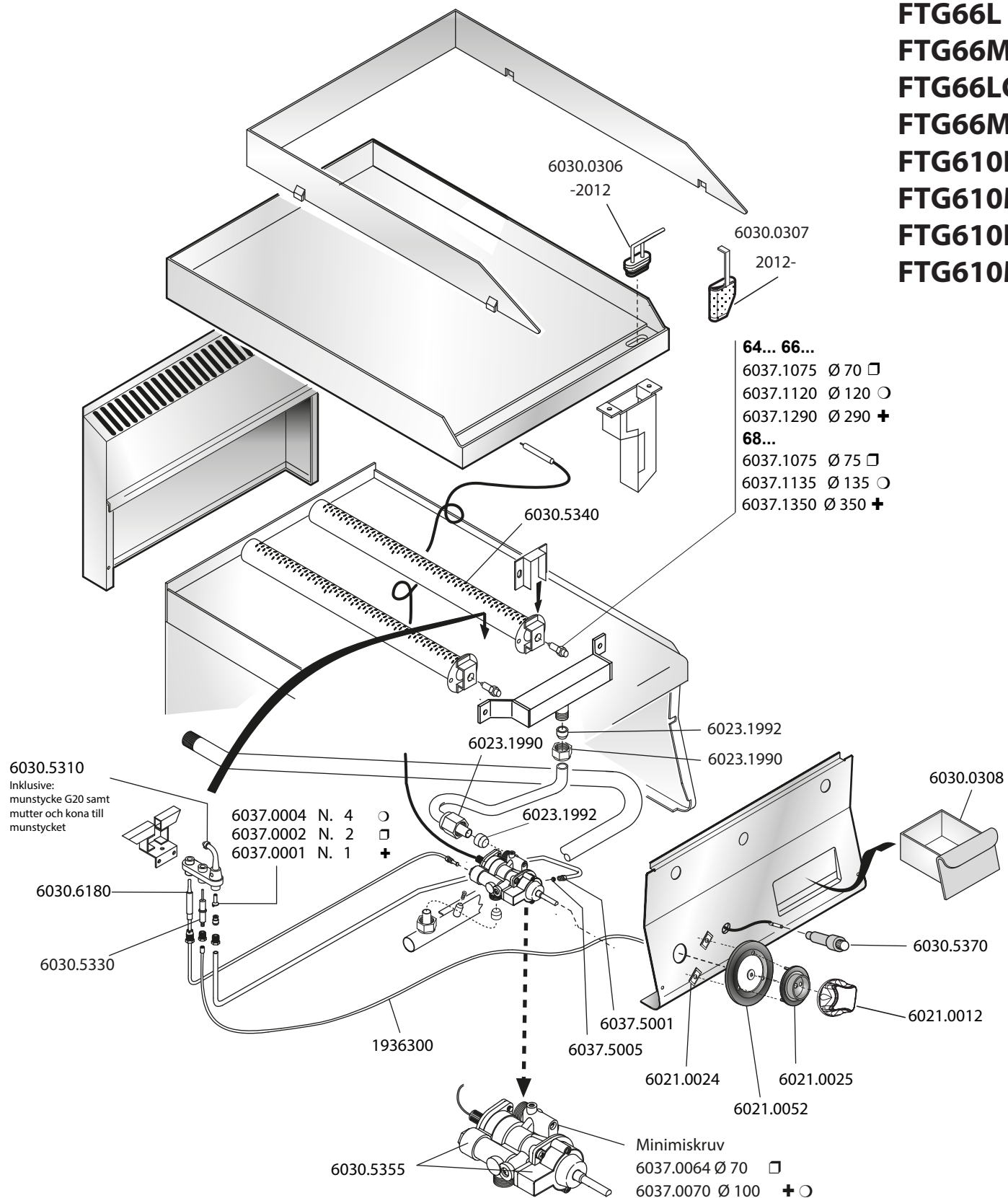


FTG64L
 FTG64LC
 FTG66L
 FTG66M
 FTG66LC
 FTG66MC
 FTG610L
 FTG610M
 FTG610LC
 FTG610MC



ID GAS: □ G30 ○ G20 + G150e

