

Tab.902

- Ø 65mm - 4kW
- Ø 90K □
- Ø 100K ■
- Ø 150K ○
- Ø 165K ★

Ø 65mm - 1,5/6 kW

- Ø 105 □
- Ø 115 ◆
- Ø 120 ■
- Ø 180R ◇
- Ø 195R ○◆
- Ø 195K ○
- Ø 215R ★
- Ø 320 ◆
- Ø 350 ○

Tab.903

- Ø 65 mm - 4 kW
- Ø 0,65 □
- Ø 0,90 ○◆


Ø 65 mm - 1,5/6 kW

- Ø 0,65 ◆□
- Ø 0,90 ○◆◇◆◆◆

Tab. 904

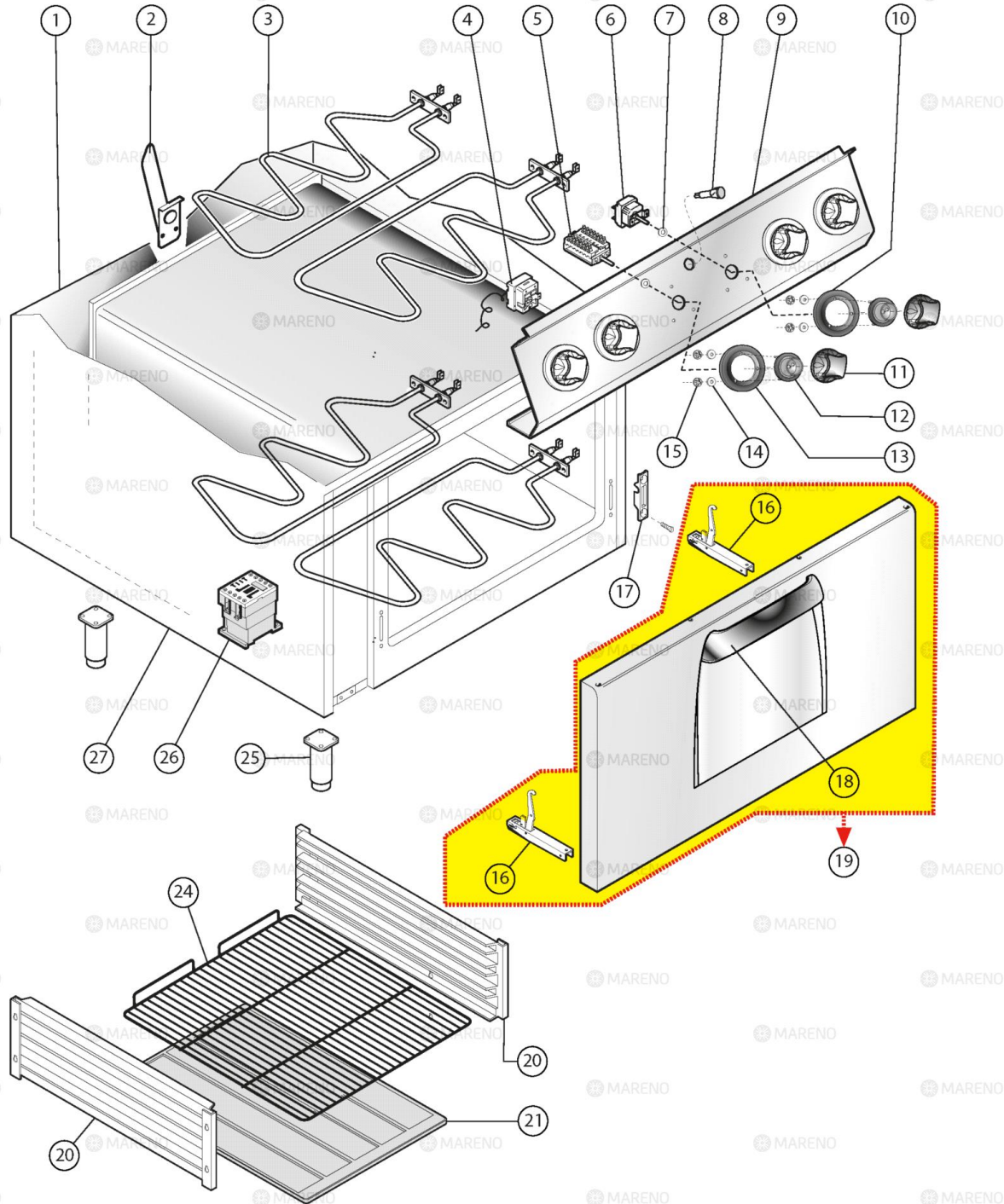
- Ø 20 ◆□
- Ø 41 ○◆◇◆◆◆
- Ø 75 ○◆


ID GAS: □ G30/50 ◆ G30/37 ■ G30/29 ○ G20/20 ◇ G20/25 ● G25/25 ⊕ G25.1/25 ★ G25/20 ◆ G120/8 ○ G110/8

| | | | | |
|---|--|--|--------------|-----------------|
|  MARENO ALI spa Mareno di Piave (TV) | COTTURA STAR 70 | | NC78G | |
| | PIANO COTTURA A GAS E FUOCHI APERTI | | | |
| | 3_ST70_002_8_00 | | 0916 | Pag. 1.1 |

| Pos | Code | Description |
|------|------------|---|
| 0001 | CR0592890 | GRIGLIA POSATEGAMI INOX NGP7S |
| 0002 | CR0688830 | CAST IRON PAN SUPPORT GRID [C] 700 |
| 0003 | CR0580010 | FLAME SPREADER [C] D. 65 |
| 0005 | CR0580030 | BURNER [C] 65 |
| 0007 | CR0586442R | VENTURI TUBE [C] 65 |
| 0009 | SI8204760 | GASKET [C] BURNER VENTURI TUBE |
| 0010 | CR0687080 | IGNITOR [C] |
| 0011 | MA1888400 | CONNECTOR [C] IGNITOR CLAMPING |
| 0012 | MACM029100 | THERMOCOUPLE [C] L 850 |
| 0013 | MA1891700 | CONNECTOR [C] THERMOCOUPLE |
| 0014 | CR1162340 | CONNECTOR [C] NOZZLE HOLDER VENTURI TUBE |
| 0015 | CR1162350 | NUT [C] M10X0,75 |
| 0016 | CR1162360 | BICONE [C] |
| 0017 | MA673600 | BICONE [C] D. 4 |
| 0018 | MA673500 | NUT [C] M10X1 |
| 0019 | CR0581700 | NOZZLE HOLDER [C] |
| 0020 | MA459500 | CONNECTOR [C] |
| 0021 | MA86720 | BICONE [C] D. 10 |
| 0022 | CR0730230 | PIPE [C] GAS RANGE 700 5GG FRONT BURNER |
| 0023 | CR0730220 | PIPE [C] GAS RANGE 700 5GG REAR BURNER |
| 0024 | CR0730251 | PIPE [C] GAS RANGE 700 PILOT-FRONT BURNER |
| 0025 | CR0730541 | CONDUTTURA PILOTA BRUC. POST. CUCINA 700 |
| 0027 | MA1326500 | NUT [C] M16X1,5 |
| 0028 | MA86720 | BICONE [C] D. 10 |
| 0029 | CR0580450 | GAS TAP [C] |
| 0030 | CR0587950 | RAMPA CUCINE MISTE MONOBLOCCO M80 |
| 0031 | CR0583100 | FRONT PANEL [C] GAS RANGE M80 |
| 0032 | CR1094340 | KNOB [C] SHAFT D. 8 |
| 0033 | CR0935250 | BUSH [C] |
| 0034 | CR0583980 | METAL LABEL [C] |
| 0034 | CR0583990 | METAL LABEL [C] |
| 0035 | MACM136000 | PROTECTION [C] PIEZO UNIT |
| 0036 | MA1936100 | PIEZO IGNITOR [C] |
| 0037 | CR0688770 | IGNITOR CABLE [C] |
| 0038 | CR0585540 | CAP [C] |
| 0039 | CR0580640 | PROTECTION GRID [C] SMOKE DRAIN M40 |
| 0902 | CR0586770 | NOZZLE [C] D. 195R |
| 0902 | CR0586780 | NOZZLE [C] D. 215R |
| 0902 | CR0586820 | NOZZLE [C] D. 240R |
| 0902 | CR0938460 | NOZZLE [C] D. 180 |
| 0902 | CR1075150 | NOZZLE [C] |
| 0902 | CR1075160 | NOZZLE [C] |
| 0902 | CR1075170 | NOZZLE [C] DOUBLE F/100K |
| 0902 | CR1075180 | UGELLO CORTO RALLENTO DOPPIO F./165K |
| 0902 | MA521411 | NOZZLE [C] D. 105 |
| 0902 | MA521611 | NOZZLE [C] D. 115 |
| 0902 | MA521711 | NOZZLE [C] D. 120 |

| Pos | Code | Description |
|------|--------------|------------------------------------|
| 0902 | MA525411 | UGELLO CORTO /215 |
| 0902 | MA525711 | NOZZLE [C] D. 350 |
| 0903 | BN822450260 | BYPASS [C] D. 90 TAP 21S |
| 0903 | CR0586840 | SCREW MINIMUM [C] 0.65 GAS TAP 21S |
| 0904 | MA1033719600 | NOZZLE [C] D. 20 PILOT |
| 0904 | MA1033719700 | NOZZLE [C] D. 41 PILOT |
| 0904 | MA1033719800 | NOZZLE [C] D. 75 PILOT |



| | | | |
|---|------------------------|----------------|-----------------|
|  MARENO ALI spa Mareno di Piave (TV) | COTTURA STAR 70 | NC7FE8G | |
| | FORNO ELETTRICO | | |
| | 3_ST70_005_8_00 | 0916 | Pag. 1.1 |

| Pos | Code | Description |
|------|--------------|--------------------------------------|
| 0002 | CR0730550 | ASS. SCARICO CONDENSA FORNO EL.700 |
| 0003 | CR0681390 | HEATING ELEMENT [C] OVEN 900 |
| 0004 | MA1878500 | THERMOSTAT [C] 360Â°C |
| 0005 | MA1309000 | COMMUTATOR [C] |
| 0006 | MA1309115 | THERMOSTAT [C] 0-300Â°C |
| 0008 | MA1037300910 | ORANGE PILOT LAMP [C] |
| 0010 | CR0584020 | METAL LABEL [C] |
| 0011 | CR1094330 | KNOB [C] SHAFT D. 6 |
| 0012 | CR0935250 | BUSH [C] |
| 0013 | CR0682861 | METAL LABEL [C] |
| 0015 | CR0588950 | EXTENSION [C] DRAIN PASTA COOKER 900 |
| 0016 | MACM041300 | HINGE [C] FOR OVEN DOOR |
| 0017 | MA1304500 | BRACKET [C] ROLLER HOLDER |
| 0018 | CR1094600R | HANDLE [C] OVEN STAR |
| 0019 | CR1093580R | DOOR [C] OVEN 700 STAR |
| 0020 | CR0730210 | SUPPORT [C] GRIDS OVEN 700 |
| 0021 | CR0975150 | BOTTOM [C] |
| 0024 | MA2306800 | SHELF GRID [C] GN 2/1 |
| 0025 | MA6086113 | FOOT ASSEMBLY [C] H. 200 |
| 0027 | CR0689040 | LEFT SIDE PANEL [C] MONOBLOCK 700 |