

**Tab.902**

- Ø 65mm - 4kW
- Ø 90K □
- Ø 100K ■
- Ø 150K ○
- Ø 165K ★

Ø 65mm - 1,5/6 kW

- Ø 105 □
- Ø 115 ◆
- Ø 120 ■
- Ø 180R ◇
- Ø 195R ○◆
- Ø 195K ○
- Ø 215R ★
- Ø 320 ◆
- Ø 350 ○

**Tab.903**

- Ø 65 mm - 4 kW
- Ø 0,65 □■
- Ø 0,90 ○★


Ø 65 mm - 1,5/6 kW

- Ø 0,65 ◆□■
- Ø 0,90 ○◆◇○◆◆○◆◆

**Tab. 904**

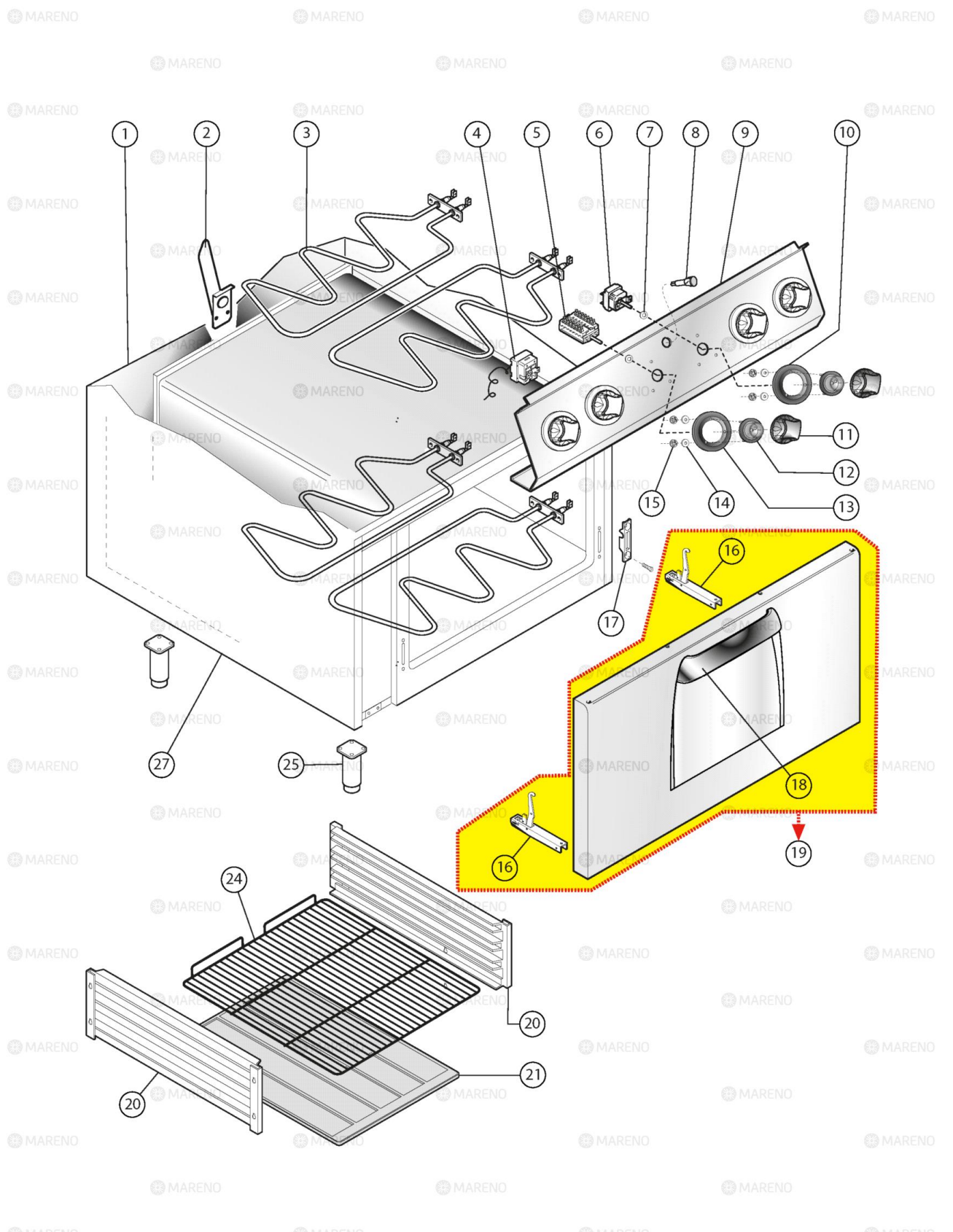
- Ø 20 ◆□■
- Ø 41 ○◆◇○◆◆○◆◆
- Ø 75 ○◆


ID GAS: □ G30/50 ◆ G30/37 ■ G30/29 ○ G20/20 ◇ G20/25 ● G25/25 ⊕ G25.1/25 ★ G25/20 ◆ G120/8 ○ G110/8

 MARENO ALI spa Mareno di Piave (TV)	<b>COTTURA STAR 70</b>		<b>NC712G</b>	
	<b>PIANO COTTURA A GAS E FUOCHI APERTI</b>			
	3_ST70_003_12_00		0916	Pag. 1.1

Pos	Code	Description
0001	CR0592890	GRIGLIA POSATEGAMI INOX NGP7S
0002	CR0688830	CAST IRON PAN SUPPORT GRID [C] 700
0003	CR0580010	FLAME SPREADER [C] D. 65
0005	CR0580030	BURNER [C] 65
0007	CR0586442R	VENTURI TUBE [C] 65
0009	SI8204760	GASKET [C] BURNER VENTURI TUBE
0010	CR0687080	IGNITOR [C]
0011	MA1888400	CONNECTOR [C] IGNITOR CLAMPING
0012	MACM029100	THERMOCOUPLE [C] L 850
0013	MA1891700	CONNECTOR [C] THERMOCOUPLE
0014	CR1162340	CONNECTOR [C] NOZZLE HOLDER VENTURI TUBE
0015	CR1162350	NUT [C] M10X0,75
0016	CR1162360	BICONE [C]
0017	MA673600	BICONE [C] D. 4
0018	MA673500	NUT [C] M10X1
0019	CR0581700	NOZZLE HOLDER [C]
0020	MA459500	CONNECTOR [C]
0021	MA86720	BICONE [C] D. 10
0022	CR0730230	PIPE [C] GAS RANGE 700 5GG FRONT BURNER
0023	CR0730220	PIPE [C] GAS RANGE 700 5GG REAR BURNER
0024	CR0730251	PIPE [C] GAS RANGE 700 PILOT-FRONT BURNER
0025	CR0730541	CONDUTTURA PILOTA BRUC. POST. CUCINA 700
0026	CR0688820	LEFT SIDE PANEL [C] TOP 700
0027	MA1326500	NUT [C] M16X1,5
0028	MA86720	BICONE [C] D. 10
0029	CR0580450	GAS TAP [C]
0030	CR0587960	RAMPA CUCINE MISTE MONOBLOCCO M120
0031	CR0583080	FRONT PANEL [C] GAS M120
0032	CR1094340	KNOB [C] SHAFT D. 8
0033	CR0935250	BUSH [C]
0034	CR0583980	METAL LABEL [C]
0034	CR0583990	METAL LABEL [C]
0035	MACM136000	PROTECTION [C] PIEZO UNIT
0036	MA1936100	PIEZO IGNITOR [C]
0037	CR0688770	IGNITOR CABLE [C]
0038	CR0585540	CAP [C]
0039	CR0580640	PROTECTION GRID [C] SMOKE DRAIN M40
0902	CR0586770	NOZZLE [C] D. 195R
0902	CR0586780	NOZZLE [C] D. 215R
0902	CR0586820	NOZZLE [C] D. 240R
0902	CR0938460	NOZZLE [C] D. 180
0902	CR1075150	NOZZLE [C]
0902	CR1075160	NOZZLE [C]
0902	CR1075170	NOZZLE [C] DOUBLE F/100K
0902	CR1075180	UGELLO CORTO RALLENTATO DOPPIO F./165K
0902	MA521411	NOZZLE [C] D. 105
0902	MA521611	NOZZLE [C] D. 115

Pos	Code	Description
0902	MA521711	NOZZLE [C] D. 120
0902	MA525411	UGELLO CORTO /215
0902	MA525711	NOZZLE [C] D. 350
0903	BN822450260	BYPASS [C] D. 90 TAP 21S
0903	CR0586840	SCREW MINIMUM [C] 0.65 GAS TAP 21S
0904	MA1033719600	NOZZLE [C] D. 20 PILOT
0904	MA1033719700	NOZZLE [C] D. 41 PILOT
0904	MA1033719800	NOZZLE [C] D. 75 PILOT



 MARENO ALI spa Mareno di Piave (TV)	<b>COTTURA STAR 70</b>		<b>NC7FE12G</b>	
	<b>FORNO ELETTRICO</b>			
	<b>3_ST70_007_12_00</b>		<b>0916</b>	<b>Pag. 1.1</b>

Pos	Code	Description
0001	CR0730790	SCHIENALE MONOBLOCCO M120 700
0002	CR0730550	ASS. SCARICO CONDENSA FORNO EL.700
0003	CR0681390	HEATING ELEMENT [C] OVEN 900
0004	MA1878500	THERMOSTAT [C] 360Â°C
0005	MA1309000	COMMUTATOR [C]
0006	MA1309115	THERMOSTAT [C] 0-300Â°C
0007	CR0587650	GASKET [C] SHAFT
0008	MA1037300910	ORANGE PILOT LAMP [C]
0009	CR0587930	CRUSCOTTO CUCINE GAS FORNO EL.M120
0010	CR0584020	METAL LABEL [C]
0011	CR1094330	KNOB [C] SHAFT D. 6
0012	CR0935250	BUSH [C]
0013	CR0584020	METAL LABEL [C]
0013	CR0682861	METAL LABEL [C]
0014	CR0588510	GASKET [C] CONTROL PANEL 900
0015	CR0588950	EXTENSION [C] DRAIN PASTA COOKER 900
0016	MACM041300	HINGE [C] FOR OVEN DOOR
0017	MA1304500	BRACKET [C] ROLLER HOLDER
0018	CR1094600R	HANDLE [C] OVEN STAR
0019	CR1093580R	DOOR [C] OVEN 700 STAR
0020	CR0730210	SUPPORT [C] GRIDS OVEN 700
0021	CR0975150	BOTTOM [C]
0024	MA2306800	SHELF GRID [C] GN 2/1
0025	MA6086113	FOOT ASSEMBLY [C] H. 200