
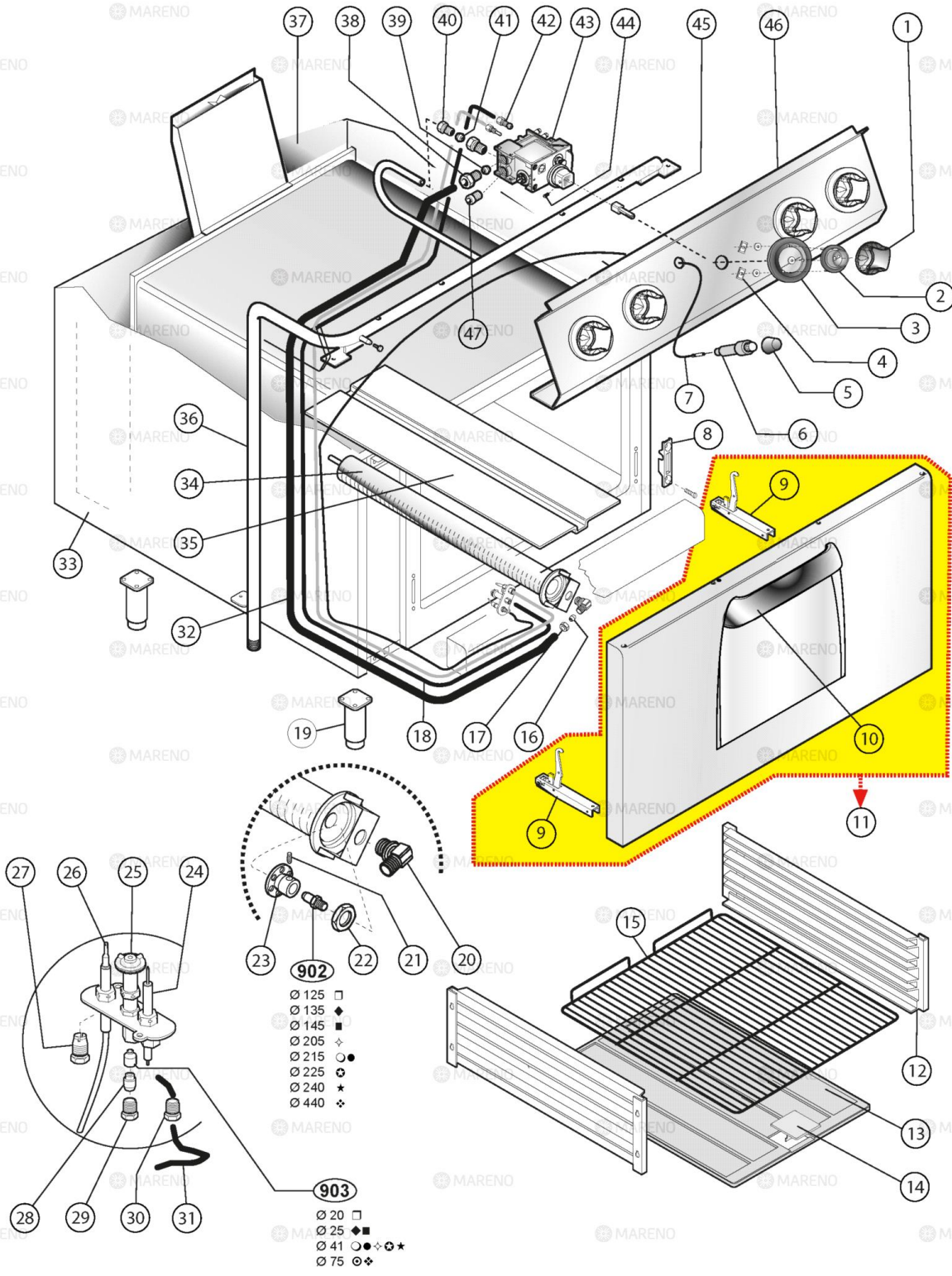


ID GAS: □ G30/50 ◆ G30/37 ■ G30/29 ○ G20/20 ◇ G20/25 ● G25/25 ✦ G25.1/25 ☆ G25/20 ✧ G120/8 ⊙ G110/8

 MARENO ALI spa Mareno di Piave (TV)	COTTURA STAR 70		NT78G	
	TUTTAPIASTRA A GAS PIANO COTTURA			
	3_ST70_010_8_00		0916	Pag. 1.1

Pos	Code	Description
0001	MA208111	LEVER [C] PLATES
0003	CR0585671	VALVE [C]
0004	CR0587310	PIPE [C] OVEN TP 900 PILOT
0005	CR0587300	CONDUTTURA BRUCIATORE FORNO TP 900
0006	MA1326500	NUT [C] M16X1,5
0007	MA86720	BICONE [C] D. 10
0008	MACM021700	NOZZLE HOLDER [C]
0009	MA1033700200	NUT [C] M14X1
0010	CR0587340	CRUSCOTTO TP MONOBLOCCO 900 M80
0011	CR1094350	KNOB [C] SHAFT D. 10
0012	CR0935250	BUSH [C]
0013	CR0583980	METAL LABEL [C]
0014	MA15860399	FLANGE [C]
0015	MACM136000	PROTECTION [C] PIEZO UNIT
0016	MA1936100	PIEZO IGNITOR [C]
0017	MA1936400	IGNITOR CABLE SET [C] L. 800
0018	CR0688820	LEFT SIDE PANEL [C] TOP 700
0019	CR0689040	LEFT SIDE PANEL [C] MONOBLOCK 700
0020	CR0587320	RAMPA TUTTAP.MONOBLOCCO M80 (KB)
0022	CR0585540	CAP [C]
0023	CR0736910	PIPE [C] SOLID TOPS 700 PILOT
0025	CR0580380	PROTECTION GRID [C] SMOKE DRAIN M60
0026	MACM052300	CLOSING [C]
0027	CR0736900	PIPE [C] SOLID TOPS 700 BURNER
0029	MACM020409	AERATOR [C]
0030	MACM040400	GRAIN [C]
0031	MACM002900	BURNER [C] SOLID TOPS 700
0036	MACM029000	PILOT [C]
0037	MA1888100	BICONE [C] D. 4
0038	MA673500	NUT [C] M10X1
0039	MA1888400	CONNECTOR [C] IGNITOR CLAMPING
0040	MA1891700	CONNECTOR [C] THERMOCOUPLE
0041	MA1949900	IGNITOR [C]
0042	MACM029100	THERMOCOUPLE [C] L 850
0043	MA1888600	GAS TAP [C] 22S
0044	MA673100	NUT [C] M20X1,5
0045	BN6A016300	BICONE [C] D. 12
0046	MA673500	NUT [C] M10X1
0047	MA673600	BICONE [C] D. 4
0048	BN6A011470	BICONE [C] D. 10
0049	MA673200	NUT [C] M20X1,5
0902	CR0737210	NOZZLE [C] D. 225
0902	CR0797020	UGELLO LUNGO /470
0902	CR0797030	UGELLO LUNGO /430
0902	MA1421700	NOZZLE [C] D. 130
0902	MA1630700	NOZZLE [C] D. 140
0902	MA1631100	NOZZLE [C] D. 250

Pos	Code	Description
0902	MA2715300	NOZZLE [C] D. 150
0902	MA707300	UGELLO LUNGO /210
0902	MA795900	NOZZLE [C] D. 240
0903	MA1887800	NOZZLE [C] D. 27 PILOT
0903	MA1887900	NOZZLE [C] D. 50 PILOT
0903	MA1888000	NOZZLE [C] D. 14 PILOT
0904	MA1883800	SCREW MINIMUM [C] 1.80 GAS TAP 22S
0904	MA1884100	SCREW MINIMUM [C] 1.05 GAS TAP 22S



ID GAS: □ G30/50 ◆ G30/37 ■ G30/29 ○ G20/20 ◇ G20/25 ● G25/25 ✦ G25.1/25 ★ G25/20 ✦ G120/8 ○ G110/8

 MARENO ALI spa Mareno di Piave (TV)	COTTURA STAR 70		NC7FG8G	
	FORNO A GAS			
	3_ST70_004_8_00		0916	Pag. 1.1

Pos	Code	Description
0001	CR1094360	KNOB [C] VALVE D. 10
0002	CR0935250	BUSH [C]
0003	CR0584000	METAL LABEL [C]
0004	CR0588950	EXTENSION [C] DRAIN PASTA COOKER 900
0005	MACM136000	PROTECTION [C] PIEZO UNIT
0006	MA1936100	PIEZO IGNITOR [C]
0007	MA1950324	IGNITOR CABLE SET [C] L. 1200
0008	MA1304500	BRACKET [C] ROLLER HOLDER
0009	MACM041300	HINGE [C] FOR OVEN DOOR
0010	CR1094600R	HANDLE [C] OVEN STAR
0011	CR1093580R	DOOR [C] OVEN 700 STAR
0012	CR0730210	SUPPORT [C] GRIDS OVEN 700
0013	CR0580000	BOTTOM [C]
0014	CR0581050	COVER [C] OVEN
0015	MA2306800	SHELF GRID [C] GN 2/1
0016	MA86720	BICONE [C] D. 10
0017	MA1326500	NUT [C] M16X1,5
0018	CR0587300	CONDUTTURA BRUCIATORE FORNO TP 900
0019	MA6086113	FOOT ASSEMBLY [C] H. 200
0020	MACM021700	NOZZLE HOLDER [C]
0021	MACM040400	GRAIN [C]
0022	MA1033700200	NUT [C] M14X1
0023	MACM020409	AERATOR [C]
0024	MA1888300	IGNITOR [C]
0025	MACM040800	PILOT [C]
0026	MA263800	THERMOCOUPLE [C] L. 1200
0027	MA1891700	CONNECTOR [C] THERMOCOUPLE
0028	MA673600	BICONE [C] D. 4
0029	MA673500	NUT [C] M10X1
0030	MA1888400	CONNECTOR [C] IGNITOR CLAMPING
0031	MA1950324	IGNITOR CABLE SET [C] L. 1200
0032	CR0587310	PIPE [C] OVEN TP 900 PILOT
0034	MACM021402	BURNER [C]
0035	CR0730190	PARAFIAMMA FORNO 700
0036	CR0587320	RAMPA TUTTAP.MONOBLOCCO M80 (KB)
0038	MA459300	CONNECTOR [C] PIPE /12
0039	MA417810	BICONE [C] D. 12
0040	MA459300	CONNECTOR [C] PIPE /12
0041	MA417810	BICONE [C] D. 12
0042	MA1394700	BICONE CONNECTOR D. 4MM
0043	CR0585671	VALVE [C]
0044	MA15119299	GRAIN [C]
0045	CR0797310	KNOB JOINT [C]
0046	CR0587340	CRUSCOTTO TP MONOBLOCCO 900 M80
0047	MA1888200	CAP [C]
0902	CR0737210	NOZZLE [C] D. 225
0902	MA1513000	NOZZLE [C] D. 125

Pos	Code	Description
0902	MA1931300	NOZZLE [C] D. 205
0902	MA2715400	NOZZLE [C] D. 135
0902	MA2902500	NOZZLE [C] D. 145
0902	MA5152800	NOZZLE [C] D. 440
0902	MA5164700	NOZZLE [C] D. 215
0902	MA795900	NOZZLE [C] D. 240
0902	MA796000	NOZZLE [C] D. 480
0903	MA1033719600	NOZZLE [C] D. 20 PILOT
0903	MA1033719700	NOZZLE [C] D. 41 PILOT
0903	MA1874700	NOZZLE [C] D. 25 PILOT