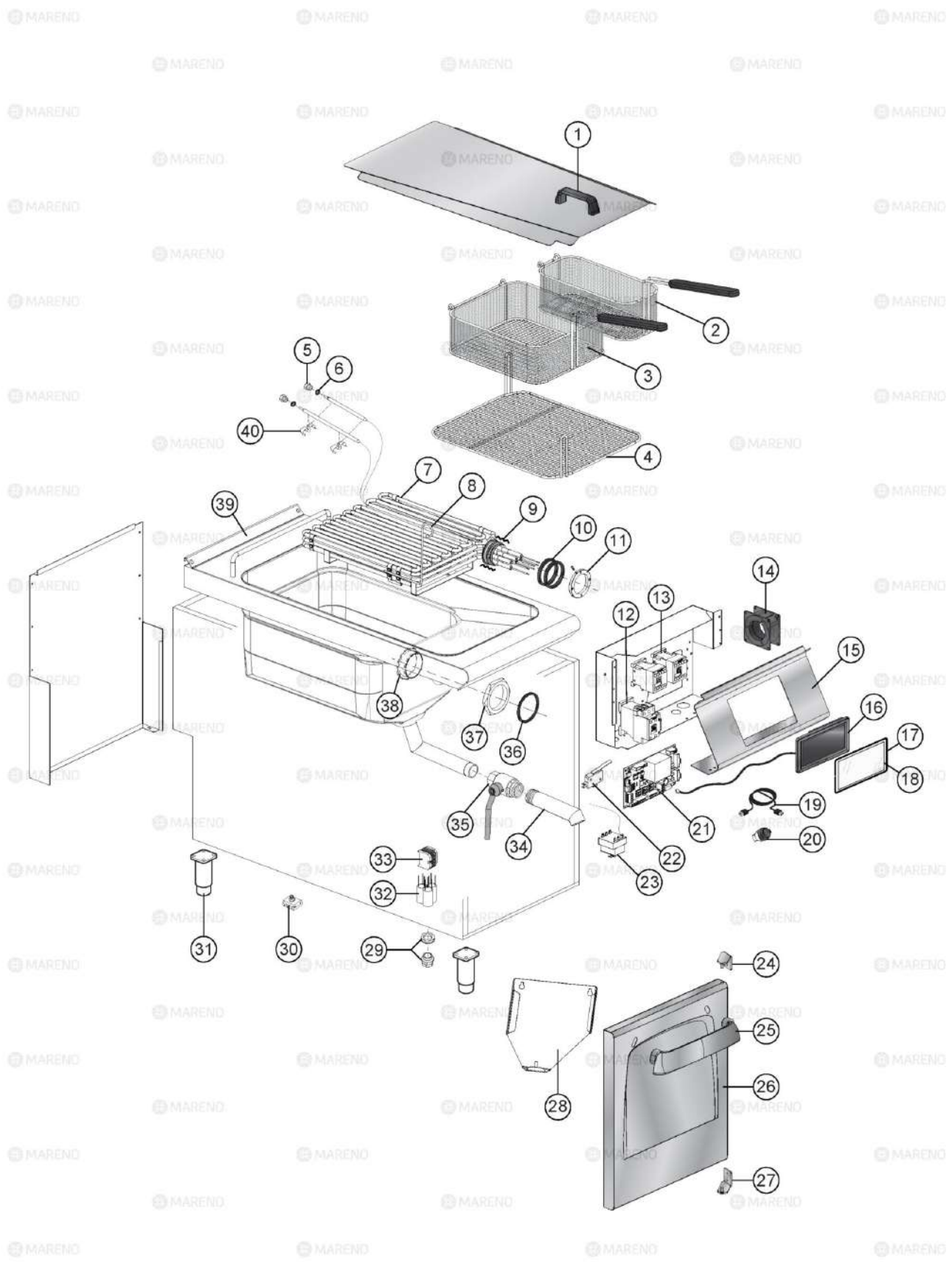

 MARENO ALI spa Mereno di Piave (TV)	<b>COTTURA STAR 90</b>		<b>NF94_2_HL</b>	
	<b>FRIGGITRICE IFRY - SISTEMA DI SOLLEVAMENTO</b>			
	<b>3_ST90_099_4_01</b>	<b>0916</b>	<b>Pag. 1.1</b>	

Pos	Code	Description
0001	CR1265820	BASKET RH LIFTING SYSTEM HOLDER [C] FRYER EVO
0002	CR1265500	ROD [C] BASKET FRYER EVO LIFTING SYSTEM
0003	CR1265400	ACTUATOR RH [C] FRYER
0003	CR1315030	EVO FRYER ACTUATOR HOLDER [C]
0004	CR1266010	BALLAST [C] 120W 24V
0005	CR0413170	RELAY [C]
0006	MA1037116100	TERMINAL [C]
0006	MA1037116200	TERMINAL [C]
0007	CR1265390	ACTUATOR LH [C] FRYER
0007	CR1315030	EVO FRYER ACTUATOR HOLDER [C]
0008	CR1265500	ROD [C] BASKET FRYER EVO LIFTING SYSTEM
0009	CR1265530	LH LIFTING SYSTEM HOLDER [C] BASKET FRYER EVO



 MARENO ALI spa Mereno di Piave (TV)	<b>COTTURA STAR 90</b>	<b>NF94E22H</b>
	<b>FRIGGITRICE IFRY - VERSIONE ELETTRICA 22lt</b>	
	<b>3_ST90_097_4_01</b>	<b>0916</b> <b>Pag. 1.1</b>

Pos	Code	Description
0001	CR0581550R	COVER [C] FRYER 23L 900
0001	CR1303780	COVER [C] FRYER 22-23 LT
0001	MACM073100	HANDLE [C] MT/105
0002	CR0580810	BASKET [C] 1/2 FRYER 23L
0003	CR0581540	BASKET [C] FRYER 900
0004	CR1268310	TANK GRID [C] FRYER 22lt
0005	MACM012401	NUT [C] M10X1
0006	MACM097900	GASKET OR [C] THERMOSTAT BULB
0007	CR1265930	HEATING ELEMENT [C] FRYER 22KW
0008	CR1343640	HOOK [C] HEATING ELEMENT LIFTING SYSTEM FRYER 22LT
0009	MACM200100	GREASE [C]
0010	CR1342950	GASKET [C] OR
0011	MA15119299	GRAIN [C]
0011	MACM021600	RING NUT [C]
0012	MACM187401	CONTACTOR [C]
0013	MACM187301	CONTACTOR [C]
0014	MACM250700	FAN [C]
0015	CR1315240	FRONT PANEL [C] FRYER EVO MARENO
0015	CR1315250	FRONT PANEL [C] FRYER EVO MARENO
0016	CR1262420	INTERFACE [C] TOUCH COMPLETE
0016	CR1315651	CABLE W/CONNECTOR L=0,4 MT
0017	CR1098980	GASKET [R] D.4
0018	CR1266020	GLASS [C] 4MM CONSOLLE 7 180X115
0019	CR1162390	CABLE USB MALE/MALE L=0,75 MT
0020	CR1160290	CONNECTOR [C]
0021	CR1161830	UNIVERSAL PC BOARD [C]
0021	MACM295900	PROBE [C] L. 250
0022	MA1037111300	MICROSWITCH [C]
0023	MACM097701	THERMOSTAT [C] 230Â°C
0024	CR0586510	RIGHT HINGE [C] FOR SHAFT DOOR
0025	CR1094600R	HANDLE [C] OVEN STAR
0026	CR1093590	GRUPPO PORTA M40
0027	CR1315510	HINGE RH DOOR BASE
0028	CR1316370	SUPPORTO TUBO PROLUNGA OLIO FRIGG.EVO
0029	MA1037115300	FAIRLEAD [C] V-TEC PG29
0029	MA1037115400	LOCK NUT [C]
0030	MA1878400	TERMINAL BLOCK [C]
0031	MA6086113	FOOT ASSEMBLY [C] H. 200
0032	CR0935660	ELECTRIC NOISE FILTER [C]
0033	MA1037112500	TERMINAL [C]
0033	MA1037116100	TERMINAL [C]
0033	MA20802499	TERMINAL [C] 16MM
0033	MA20802599	TERMINAL [C] 16MM
0033	MA20802799	TERMINAL [C] 6MM
0033	MA20802899	TERMINAL [C] 16MM
0034	CR0585850	EXTENSION [C] DRAIN FRYERS 23L
0035	CR0733340	VALVE [C]

Pos	Code	Description
0036	CR0582140	GASKET [C]
0037	CR1343240	NUT [C]
0038	CR1343230	BUSH
0039	CR0580721	PLAN WITH TANK [C] FRYER 22L. ELE. 900M40
0040	MA1033515800	ELASTIC COUPLER [C]