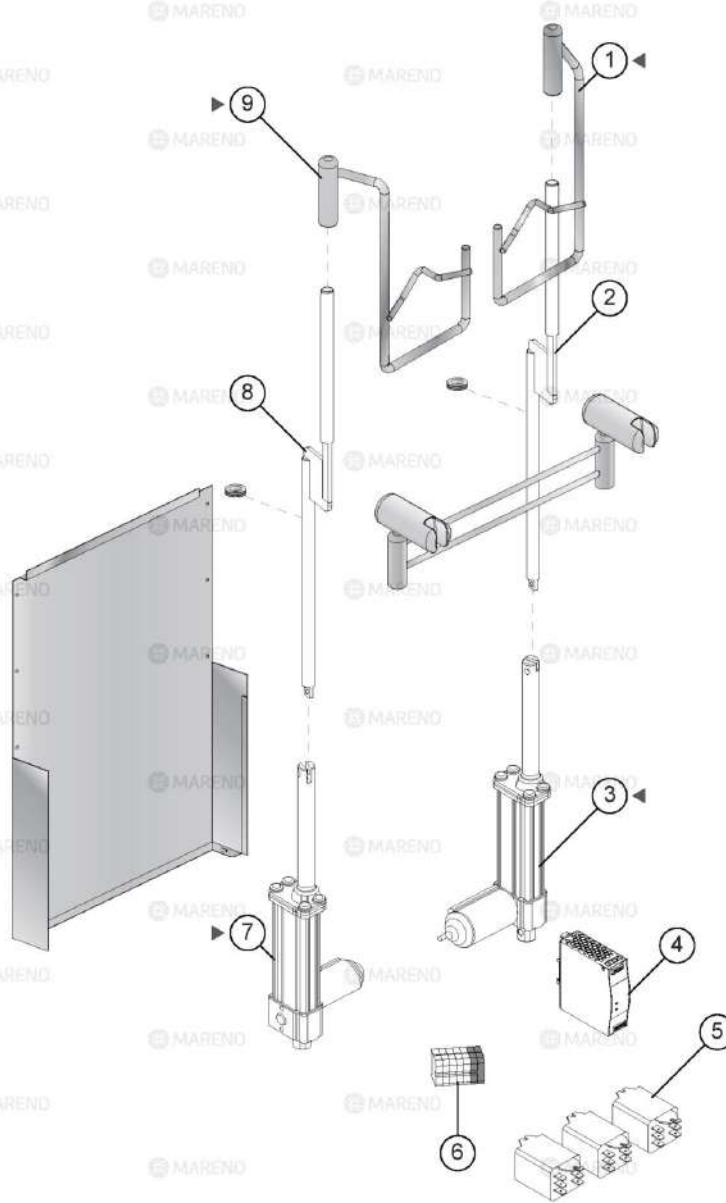

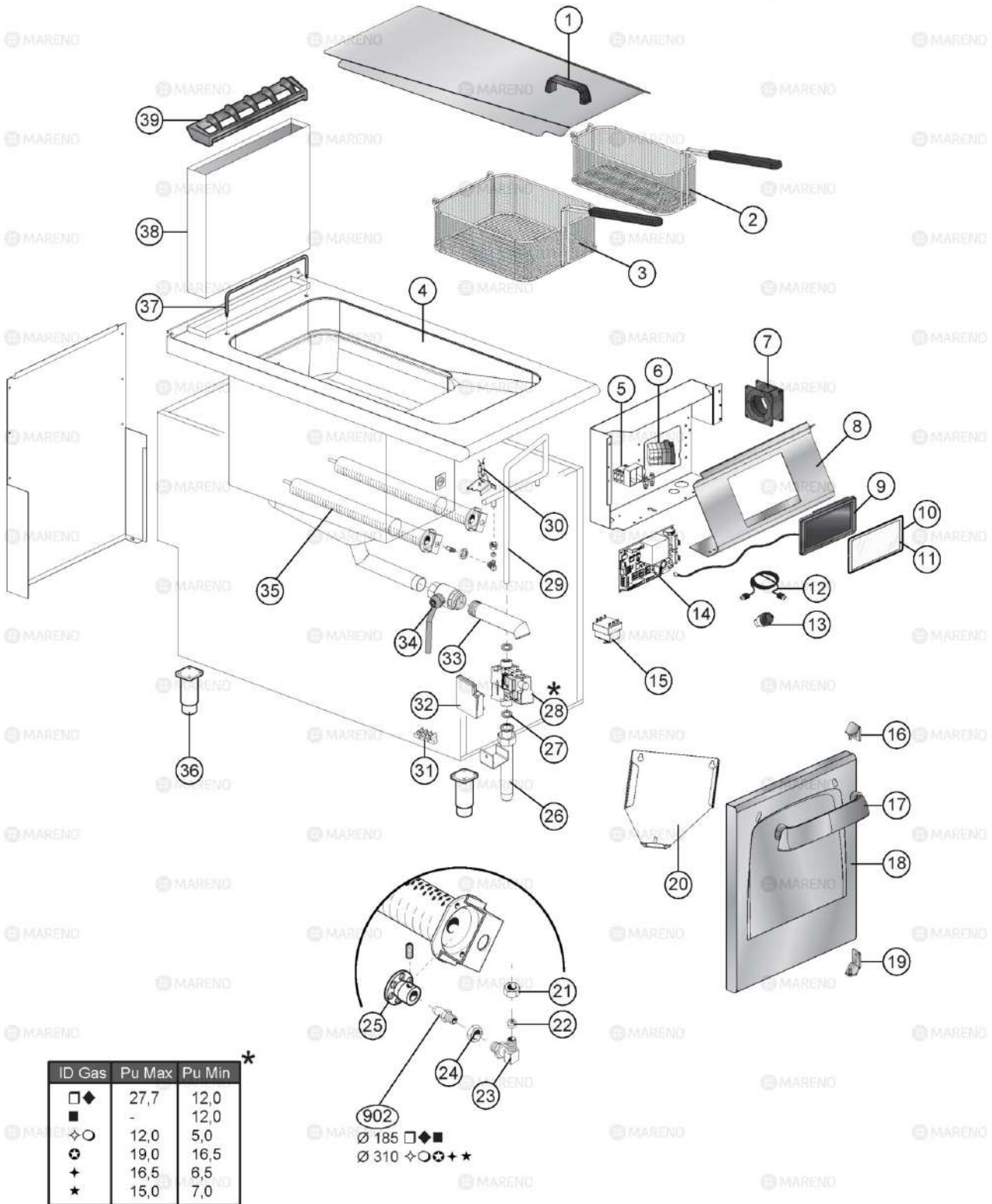
 MARENO ALI spa Mereno di Piave (TV)	COTTURA STAR 90	NF94_2_HF	
	FRIGGITRICE IFRY - SISTEMA DI FILTRAGGIO		
	3_ST90_098_4_01	0916	Pag. 1.1

Pos	Code	Description
0001	CR1265290	SOCKET [C] F 3/8
0002	CR1265910	CONNECTION OIL VACUUM SYSTEM
0003	CR1312670	PUMP OIL FRYER [C] - UP6/OIL
0004	CR1315061	SOLENOID VALVE [C]
0005	CR1265300	CONNECTOR [C] M 3/8
0006	CR0733340	VALVE [C]
0007	CR0799260	EXTENSION [C] DRAIN FRYERS 900
0008	CR1315560	DRAIN VALVE STOPPER [C]
0009	CR1315570	LEVER [C] DRAIN TAP FRYER TANK EVO
0010	CR1315580	HANDLE [C] DRAIN LEVER FRYER EVO
0011	CR1265980	FRAME [C] FILTER FRYER EVO
0012	CR1265970	BASKET [C] FRYER EVO
0013	CR1265990	FILTER [C] FRYER EVO
0014	CR1342930	VACUUM FILTER [C] FRYER EVO
0015	CR1315080	OIL TRAY [C] FRYER
0016	CR1342920	CONNECTOR CLEANING VENT PIPE
0017	CR1266070	CONNECTOR OIL PIPE
0018	CR1315661	DRAIN PIPE FRYER EVO
0019	CR1318040	PIPE STOPPER [C]



 MARENO ALI spa Mereno di Piave (TV)	COTTURA STAR 90	NF94_2_HL	
	FRIGGITRICE IFRY - SISTEMA DI SOLLEVAMENTO		
	3_ST90_099_4_01	0916	Pag. 1.1


Pos	Code	Description
0001	CR1265820	BASKET RH LIFTING SYSTEM HOLDER [C] FRYER EVO
0002	CR1265500	ROD [C] BASKET FRYER EVO LIFTING SYSTEM
0003	CR1265400	ACTUATOR RH [C] FRYER
0003	CR1315030	EVO FRYER ACTUATOR HOLDER [C]
0004	CR1266010	BALLAST [C] 120W 24V
0005	CR0413170	RELAY [C]
0006	MA1037116100	TERMINAL [C]
0006	MA1037116200	TERMINAL [C]
0007	CR1265390	ACTUATOR LH [C] FRYER
0007	CR1315030	EVO FRYER ACTUATOR HOLDER [C]
0008	CR1265500	ROD [C] BASKET FRYER EVO LIFTING SYSTEM
0009	CR1265530	LH LIFTING SYSTEM HOLDER [C] BASKET FRYER EVO



ID Gas	Pu Max	Pu Min *
□◆	27,7	12,0
■	-	12,0
◇○	12,0	5,0
⊕	19,0	16,5
+	16,5	6,5
★	15,0	7,0

902
 Ø 185 □◆■
 Ø 310 ◇○⊕+★

ID GAS: □ G30/50 ◆ G30/37 ■ G30/29 ○ G20/20 ◇ G20/25 ● G25/25 ⊕ G25.1/25 + G25.3/25 ★ G25/20

 MARENO ALI spa Mereno di Piave (TV)	COTTURA STAR 90	NF94G23H	
	FRIGGITRICE IFRY - VERSIONE GAS 23lt		
	3_ST90_096_4_01	0916	Pag. 1.1

Pos	Code	Description
0001	CR0581550R	COVER [C] FRYER 23L 900
0001	MACM073100	HANDLE [C] MT/105
0002	CR0580810	BASKET [C] 1/2 FRYER 23L
0003	CR0581540	BASKET [C] FRYER 900
0004	CR1315480	PLAN WITH TANK [C] FRYER 23L. GAS EVO MARENO
0005	CR1226350	FUSE CARRIER [C]
0005	CR1268000	FUSE [C] 5x20 F 2A 250V
0006	MA1037112500	TERMINAL [C]
0006	MA1037116200	TERMINAL [C]
0006	MA20802299	TERMINAL [C] 6MM
0006	MA20802399	TERMINAL [C] 6MM
0006	MA20802799	TERMINAL [C] 6MM
0008	CR1315240	FRONT PANEL [C] FRYER EVO MARENO
0008	CR1315250	FRONT PANEL [C] FRYER EVO MARENO
0009	CR1262420	INTERFACE [C] TOUCH COMPLETE
0009	CR1315651	CABLE W/CONNECTOR L=0,4 MT
0010	CR1098980	GASKET [R] D.4
0011	CR1266020	GLASS [C] 4MM CONSOLLE 7 180X115
0012	CR1162390	CABLE USB MALE/MALE L=0,75 MT
0013	CR1160290	CONNECTOR [C]
0014	CR1161830	UNIVERSAL PC BOARD [C]
0014	MACM295900	PROBE [C] L. 250
0015	MACM097701	THERMOSTAT [C] 230Å°C
0016	CR0586510	RIGHT HINGE [C] FOR SHAFT DOOR
0017	CR1094600R	HANDLE [C] OVEN STAR
0018	CR1093590	GRUPPO PORTA M40
0019	CR1315510	HINGE RH DOOR BASE
0020	CR1316370	SUPPORTO TUBO PROLUNGA OLIO FRIGG.EVO
0021	MA1033700200	NUT [C] M14X1
0022	MA86720	BICONE [C] D. 10
0023	MACM021700	NOZZLE HOLDER [C]
0024	MA1326500	NUT [C] M16X1,5
0025	CR1316330	REGOLATORE ARIA FRIGG.GAS 23LT EVO
0025	MA15446699	SCREW [C] TCBC NIK 4,2X6,5 UNI EN ISO 7049
0026	CR1265370	RAMP [C] FRYER EVO
0027	CR1316310	GUARNIZIONE TENUTA GAS - 18x24 DIN 7603
0028	CR1314440	GAS VALVE [C]
0029	CR1265380	PIPE [C] BURNER FRYER EVO
0030	CR1316340	IGNITOR HOLDER [C] FRYER GAS 23 LT EVO
0030	CR1342960	IGNITOR [C] FRYER GAS 23LT EVO
0030	LA63050130	IGNITOR [C] A/SM Å,9.5 KA1 Å,3/M4
0031	CR0588180	3 POLES TERMINAL BLOCK [C] 450V
0032	CR1314450	CONTROL [C] FLAME
0033	CR0799260	EXTENSION [C] DRAIN FRYERS 900
0034	CR0733340	VALVE [C]
0035	CR0580690	BURNER [C] FRYER 23L
0036	MA6086113	FOOT ASSEMBLY [C] H. 200

Pos	Code	Description
0037	CR0580820	BASKET SUPPORT [R] FRYER 23L.
0038	CR0681220R	CLOSING PANEL [C] FLUE
0039	CR0681240	TONDINO PER ALZATINA CAMINO
0902	CR0732960	NOZZLE [C] D. 185