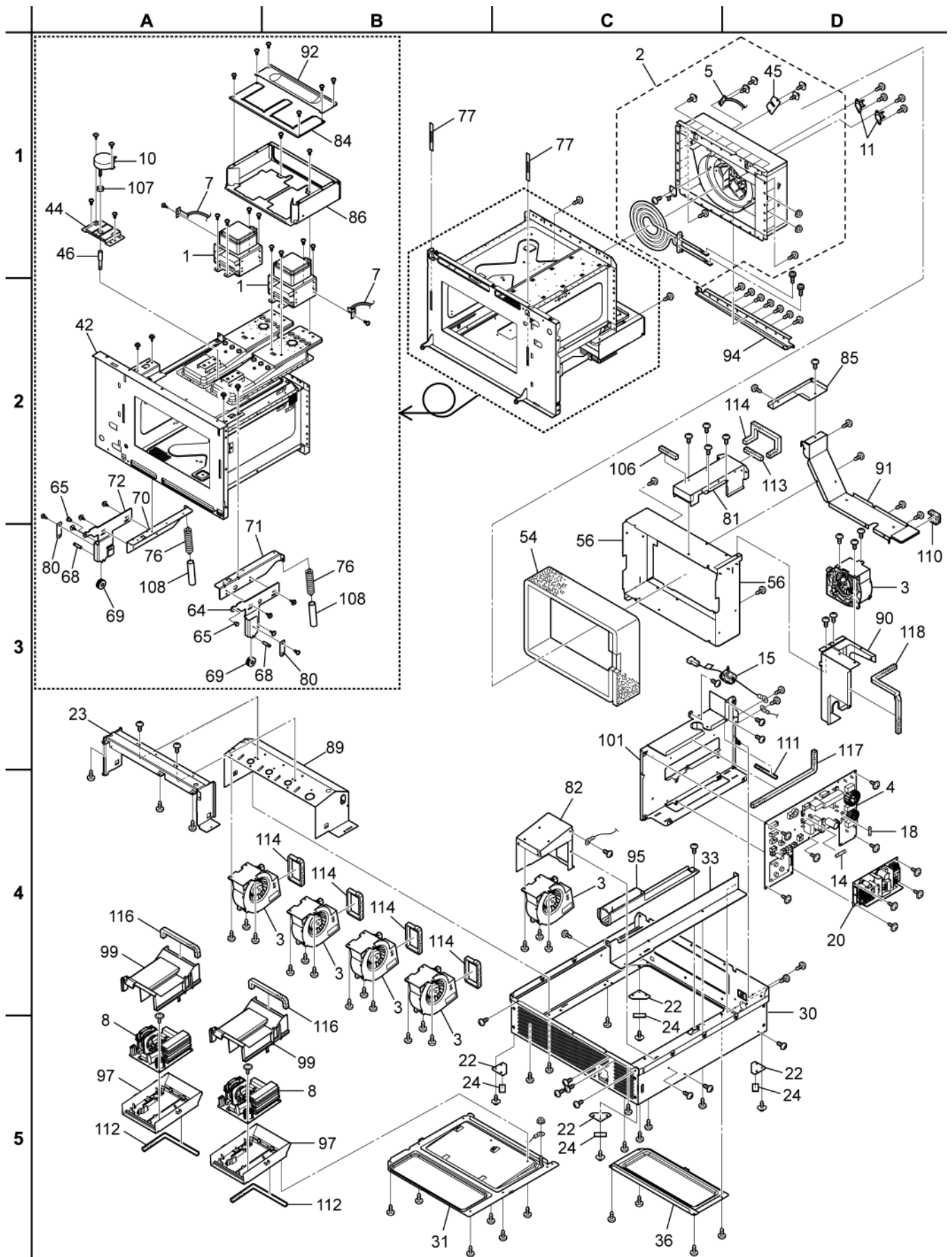
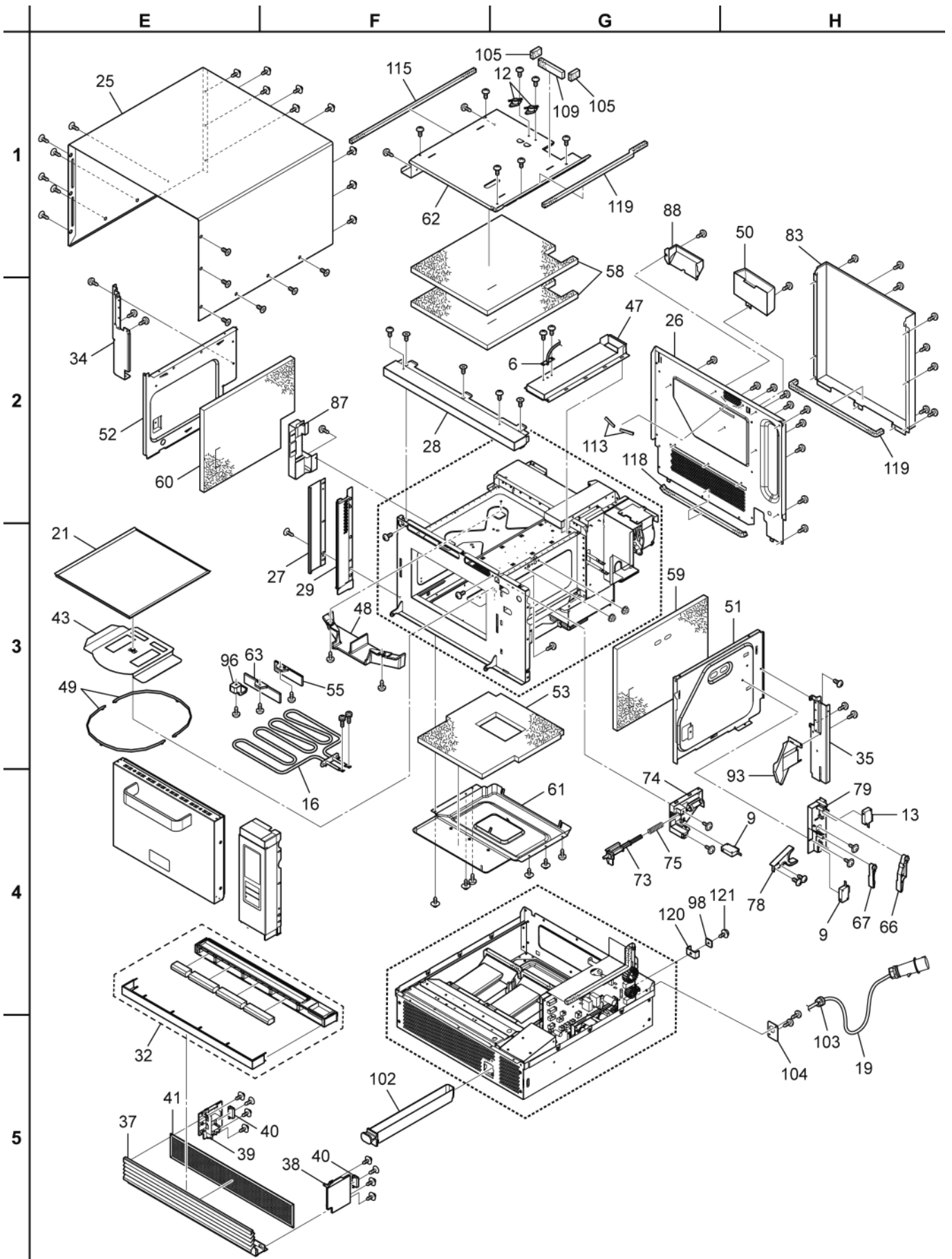


17 Exploded View and Replacement Parts List

17.1. Exploded view and parts list





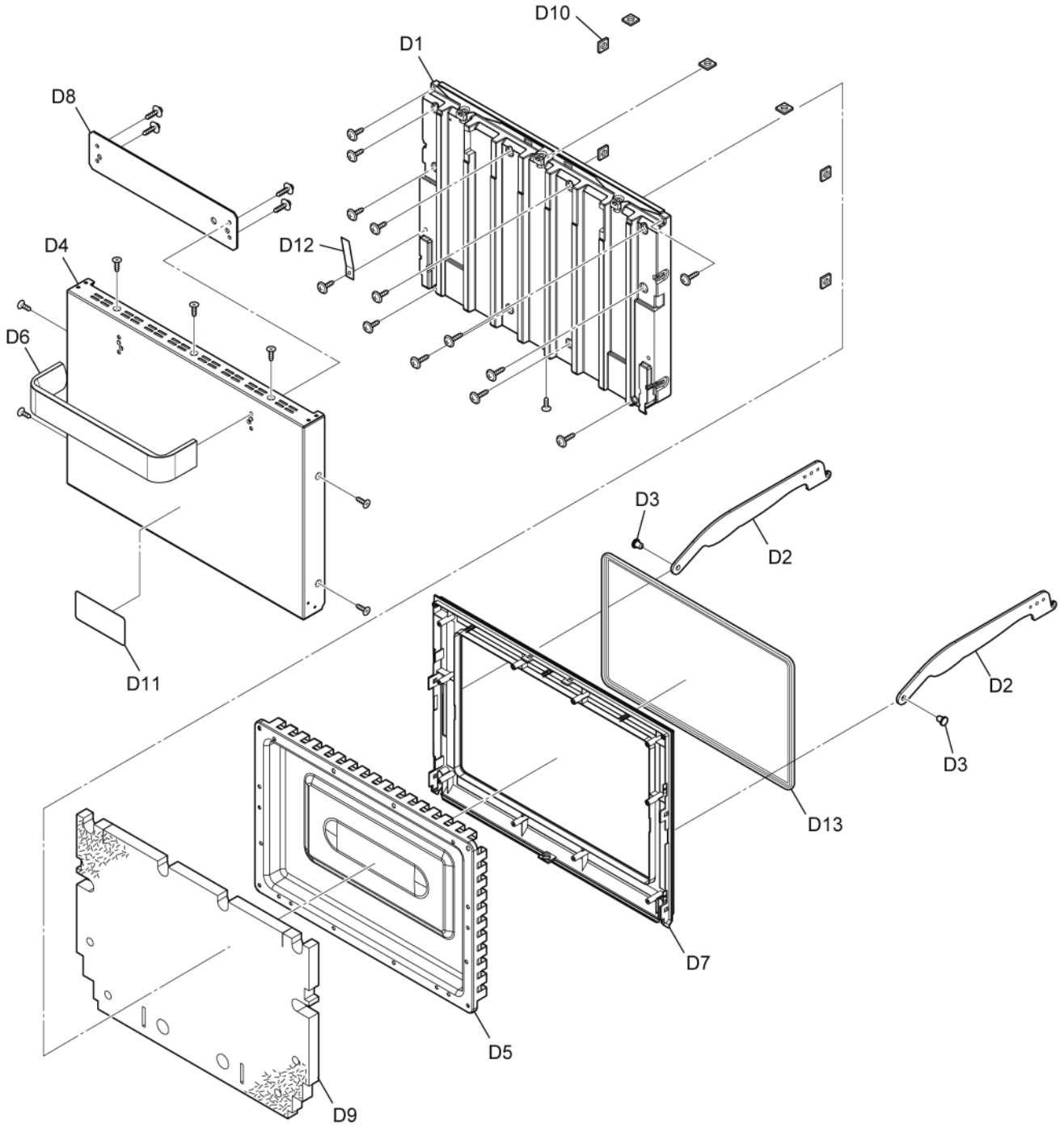
PARTS LIST

- NOTE 1: When ordering replacement part(s), please use part number(s) shown in this parts list.
Do not use description of the part.
- 2: Important safety notice:
Components identified by \triangle mark have special characteristics important for safety.
When replacing any of these components, use only manufacturer's specified parts.

| Safety | Ref. No. | Part No. | Part Name & Description | Pcs/set | Remarks |
|-------------|----------|--------------|------------------------------|---------|---------|
| | 1 | 2M261-M32J1Y | MAGNETRON | 2 | |
| | 2 | A203M3G80BP | CIRCULATION FAN CASE (U) | 1 | |
| \triangle | 3 | A400A-3G60 | MOTOR, DC, 18 W | 5 | |
| \triangle | 4 | A603L3G80BP | PCB W/COMPONENTS | 1 | |
| | 5 | A605A-3G90 | TEMP.THERMISTER | 1 | |
| | 6 | A605Y-3G90 | TEMP.THERMISTER | 1 | |
| | 7 | A606B-3G60 | TEMP.THERMISTER | 1 | |
| \triangle | 8 | A606Y3G70AP | H.V.INVERTER | 2 | |
| \triangle | 9 | A61424T00AP | MICRO SWITCH, (V-16G-3C26-M) | 1 | |
| \triangle | 10 | A6144-1T60 | MOTOR, AC, 3W | 1 | |
| \triangle | 11 | A6145-1E30 | THERMAL CUTOUT 180°C | 2 | |
| \triangle | 12 | A61458020BP | THERMAL CUTOUT 180°C | 2 | |
| | 13 | ANE61784L0AG | MICRO SWITCH, (V-16G-2C25) | 1 | |
| | 14 | A62303A60AP | FUSE 15A | 1 | |
| | 15 | A621A-3G60 | FILTER COIL | 1 | |
| | 16 | A64133G80BP | SHEATH HEATER A | 1 | |
| | 18 | A6595-3G60 | FUSE B, 2A | 1 | |
| | 19 | A900C3G80BP | CORD W/PLUG | 1 | |
| | 20 | NOAELGJ00030 | PCB, POWER SUPPLY | 1 | |
| | 21 | A010T3G80BP | SHELF | 1 | |
| | 22 | A1007-3280 | FOOT | 4 | |
| | 23 | A1007-3G60 | FOOT A | 1 | |
| | 24 | A1008-3280 | RUBBER FOOT | 4 | |
| | 25 | A1009-3G60 | CABINET | 1 | |
| | 26 | A100Q3G60WT | BACK PLATE | 1 | |
| | 27 | A1013-3G60 | SASH, LEFT | 1 | |
| | 28 | A1015-3G60 | SASH UPPER | 1 | |
| | 29 | A1018-3G60 | SASH BRACKET | 1 | |
| | 30 | A101S-3G60 | BOTTOM PLATE U | 1 | |
| | 31 | A1028-3G60 | COVER | 1 | |
| | 32 | A102E-3G60 | SASH, BOTTOM | 1 | |
| | 33 | A1040-3G60 | REINFORCING PLATE | 1 | |
| | 34 | A1148-3G60 | BRACKET, OVEN | 1 | |
| | 35 | A1149-3G60 | BRACKET, OVEN | 1 | |
| | 36 | A1154-3G60 | COVER | 1 | |
| | 37 | A1600-3G60 | COVER, FRONT, AL | 1 | |
| | 38 | A1601-3G62 | COVER, RIGHT | 1 | |
| | 39 | A1602-3G62 | COVER, LEFT | 1 | |
| | 40 | A1607-3G60 | BRACKET, COVER | 2 | |
| | 41 | A1615-3G60 | MESH FILTER | 1 | |
| | 42 | A200A-3G90 | OVEN U | 1 | |
| | 43 | A202K-3G60 | ANTENNA U | 1 | |
| | 44 | A2027-3G60 | BRACKET, MOTOR | 1 | |
| | 45 | A2257-3G90 | HEATER PANEL | 1 | |
| | 46 | A2080-3G60 | ANTENNA SHAFT | 1 | |
| | 47 | A2088-3G60 | EXHAUST GUIDE | 1 | |
| | 48 | A2235-3G90 | AIR GUIDE | 1 | |
| | 49 | A2133-3G60 | SPACER | 2 | |
| | 50 | A48843G60WT | TRAY | 1 | |
| | 51 | A2236-3G60 | HEATER PANEL (RIGHT) | 1 | |
| | 52 | A2237-3G60 | HEATER PANEL (LEFT) | 1 | |
| | 53 | A2242-3G60 | ADIABATIC MATERIAL A | 1 | |
| | 54 | A2243-3G60 | ADIABATIC MATERIAL B | 1 | |
| | 55 | A2246-3G90 | HOT AIR GUIDE B | 1 | |
| | 56 | A2256-3G60 | HEATER PANEL E | 2 | |
| | 58 | A2259-3G60 | ADIABATIC MATERIAL D | 2 | |
| | 59 | A2260-3G60 | ADIABATIC MATERIAL E | 1 | |
| | 60 | A2261-3G60 | ADIABATIC MATERIAL F | 1 | |
| | 61 | A2277-3G60 | HEATER PANEL (BOTTOM) | 1 | |
| | 62 | A2278-3G60 | HEATER PANEL (UPPER) | 1 | |
| | 63 | A2288-3G90 | HOT AIR GUIDE E | 1 | |

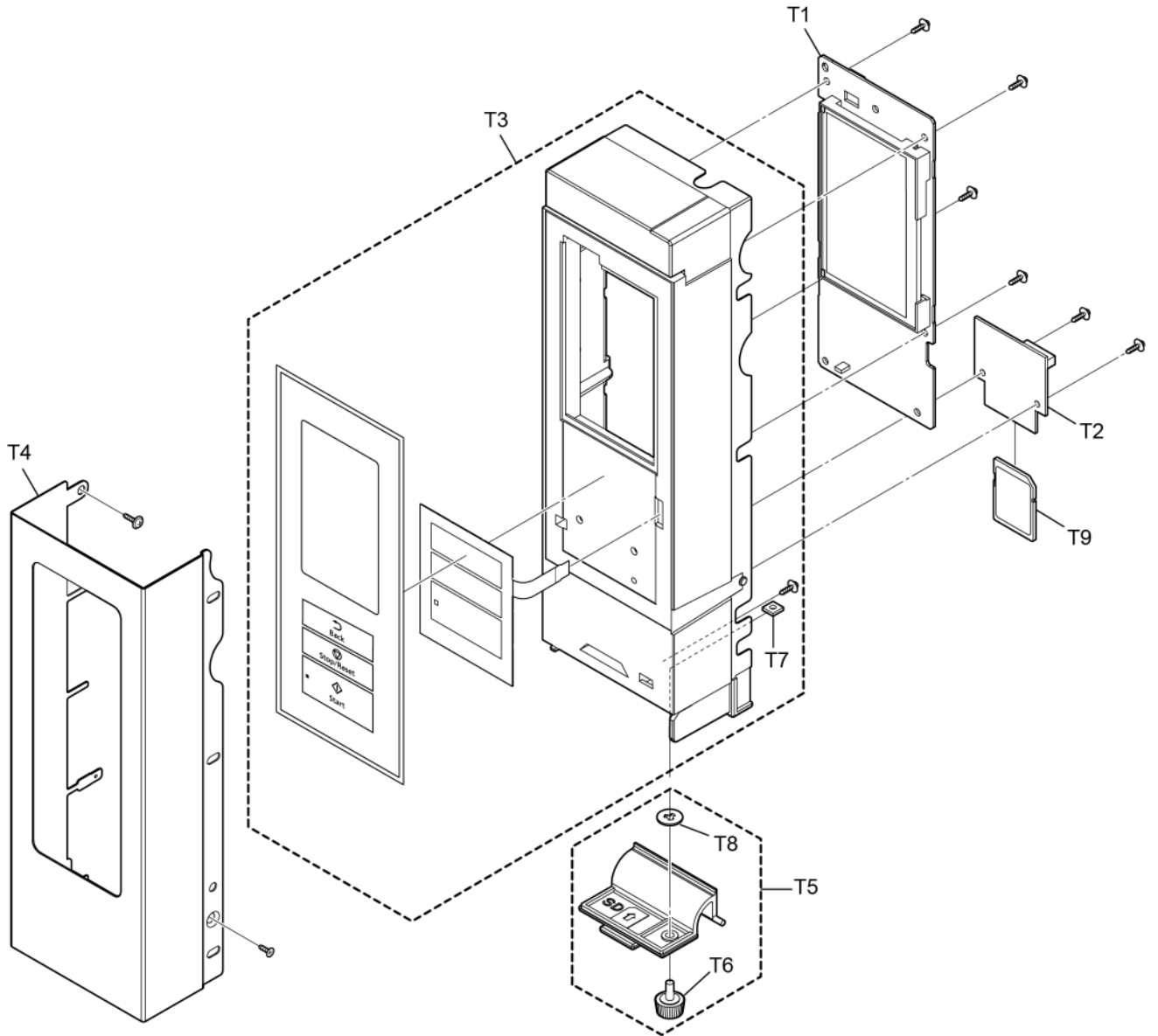
| Safety | Ref. No. | Part No. | Part Name & Description | Pcs/set | Remarks |
|--------|----------|--------------|-------------------------|---------|---------|
| | 64 | A3007-3G60 | HINGE B | 1 | |
| | 65 | A3008-3G60 | HINGE PIN | 2 | |
| | 66 | A3020-3G60 | DOOR HOOK A | 1 | |
| | 67 | A3030-3G60 | DOOR HOOK B | 1 | |
| | 68 | ANE3033-560 | DOOR GUIDE ROLLER PIN | 2 | |
| | 69 | ANE3034-560 | DOOR GUIDE ROLLER | 2 | |
| | 70 | A3060-3G60 | SPACER B, DOOR HINGE | 1 | |
| | 71 | A3081-3G60 | SPACER, DOOR HINGE | 1 | |
| | 72 | A3092-3G60 | HINGE C | 1 | |
| | 73 | A3102-3G60 | LEVER, LATCH SWITCH | 1 | |
| | 74 | A3103-3G60 | BRACKET, LATCH SW | 1 | |
| | 75 | ANE3155-610 | SPRING | 1 | |
| | 76 | A32303G80BP | SPRING B | 2 | |
| | 77 | A3252-3G60 | SPACER, DOOR ARM | 2 | |
| | 78 | A3264-3G60 | SPACER B, DOOR ARM | 1 | |
| | 79 | A3291-3G60 | BRACKET, LATCH SW | 1 | |
| | 80 | A3379-3G60 | BRACKET, GUIDE ROLER | 2 | |
| | 81 | A400K-3G60 | EXHAUST GUIDE U | 1 | |
| | 82 | A402L-3G60 | COVER, FAN CASE | 1 | |
| | 83 | A4024-3G60 | EXHAUST GUIDE A | 1 | |
| | 84 | A4026-3G60 | AIR GUIDE B | 1 | |
| | 85 | A4030-3G60 | AIR GUIDE D | 1 | |
| | 86 | A4031-3G60 | AIR GUIDE C | 1 | |
| | 87 | A4047-3G60 | AIR GUIDE E | 1 | |
| | 88 | A41073980AP | EXHAUST GUIDE B | 1 | |
| | 89 | A4118-3G60 | AIR GUIDE | 1 | |
| | 90 | A4209-3G60 | AIR GUIDE G | 1 | |
| | 91 | A4211-3G90 | AIR GUIDE H | 1 | |
| | 92 | A4287-3G60 | AIR GUIDE F | 1 | |
| | 93 | A4880-3G60 | DRAIN PLATE | 1 | |
| | 94 | A4881-3G60 | DRAIN PLATE B | 1 | |
| | 95 | A4885-3G60 | BRACKET WATER SEALING | 1 | |
| | 96 | A6418-3G60 | HEATER SUPPORT | 1 | |
| | 97 | A6585-3G60 | BRACKET, INV, PCB | 2 | |
| | 98 | A66623170GP | WASHER | 1 | |
| | 99 | A6720-3G60 | COVER, INVERTER PCB | 2 | |
| | 101 | A6793-3G60 | BRACKET, PCB | 1 | |
| | 102 | A8023-3G60 | OIL TRAY | 1 | |
| | 103 | ANE9027510RN | CORD BUSHING | 1 | |
| | 104 | A90353040AP | CORD BRACKET | 1 | |
| | 105 | A0920-3G60 | CUSHION RUBBER | 2 | |
| | 106 | A0937-3G60 | CUSHION RUBBER | 1 | |
| | 107 | A0938-3G60 | TUBE | 1 | |
| | 108 | A0941-3G60 | TUBE | 1 | |
| | 109 | A0984-3G60 | CUSHION RUBBER | 1 | |
| | 110 | ANE0902000DB | CUSHION RUBBER A | 1 | |
| | 111 | ANE0902000DB | CUSHION RUBBER A | 1 | |
| | 112 | ANE0961000AM | CUSHION RUBBER D | 2 | |
| | 113 | ANE0962000AE | CUSHION RUBBER D | 3 | |
| | 114 | ANE0962000AN | CUSHION RUBBER | 9 | |
| | 115 | ANE0962000AW | CUSHION RUBBER D | 1 | |
| | 116 | ANE0963000AK | CUSHION RUBBER D | 2 | |
| | 117 | ANE0963000AQ | CUSHION RUBBER D | 1 | |
| | 118 | ANE0963000AR | CUSHION RUBBER D | 2 | |
| | 119 | ANE0963000AU | CUSHION RUBBER D | 2 | |
| | 120 | XWNANE65GV | BRACKET EARTH | 1 | |
| | 121 | XYE6+F20FJ | SCREW | 1 | |

DOOR ASSEMBLY



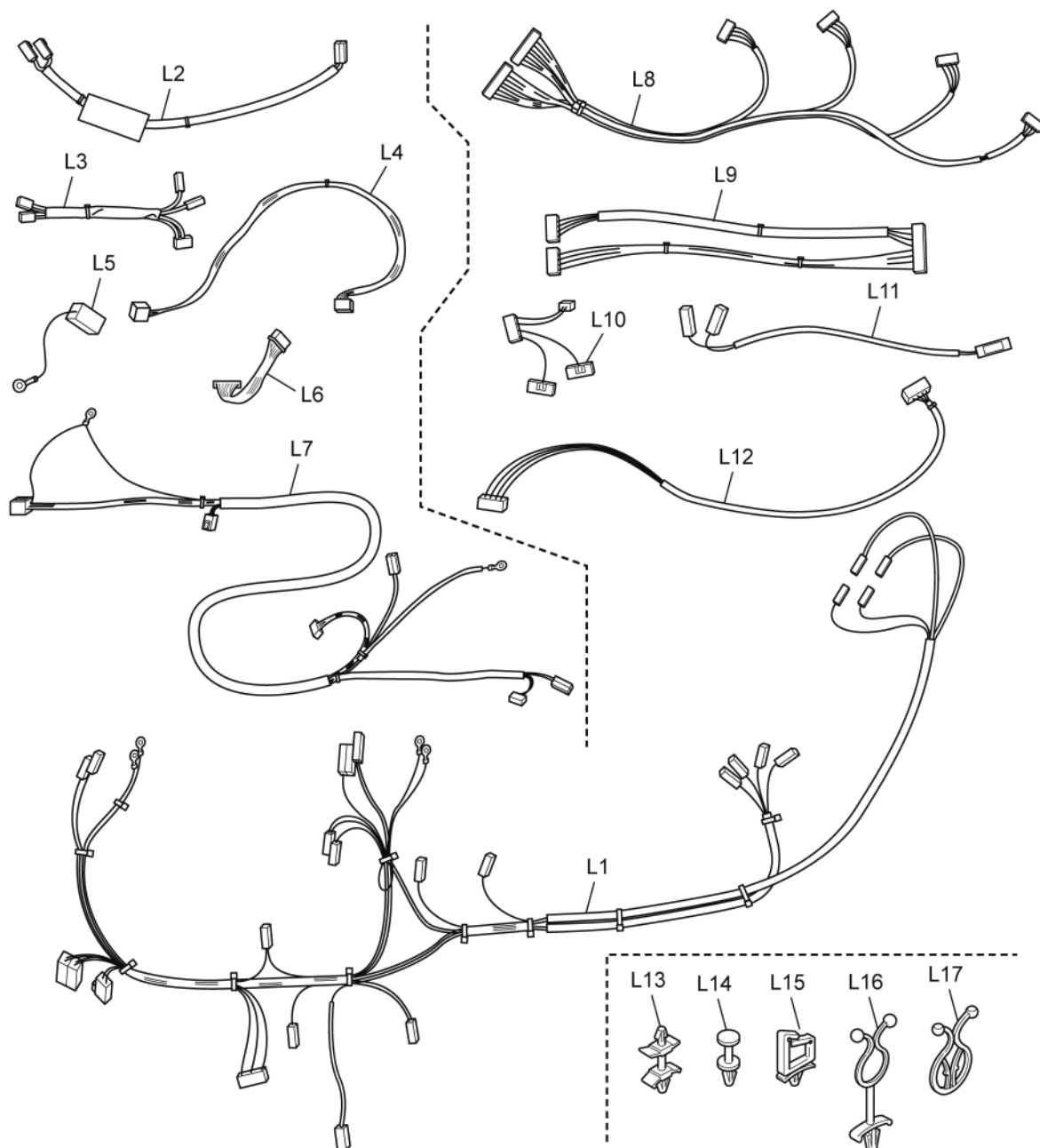
| Safety | Ref. No. | Part No. | Part Name & Description | Pcs/set | Remarks |
|--------|----------|-------------|-------------------------|---------|---------|
| | D1 | A3001-3G60 | DOOR A | 1 | |
| | D2 | A3004-3G60 | DOOR ARM | 2 | |
| | D3 | A3008-3G60 | HINGE PIN | 2 | |
| | D4 | A300A-3G60 | DOOR BU | 1 | |
| | D5 | A301Q-3G60 | DOOR E U | 1 | |
| | D6 | A3070-3G60 | HANDLE PIECE | 1 | |
| | D7 | A30853G80BP | DOOR C | 1 | |
| | D8 | A3181-3G60 | BRACKET, HANDLE | 1 | |
| | D9 | A2385-3G60 | ADIABATIC MATERIAL H | 1 | |
| | D10 | A4892-3G60 | NUT | 7 | |
| | D11 | A3186-3G80 | DOOR PANEL | 1 | |
| | D12 | A90093G60WT | TAB | 1 | |
| | D13 | A33343G80BP | DOOR SEAL | 1 | |

ESCUTCHEON BASE ASSEMBLY



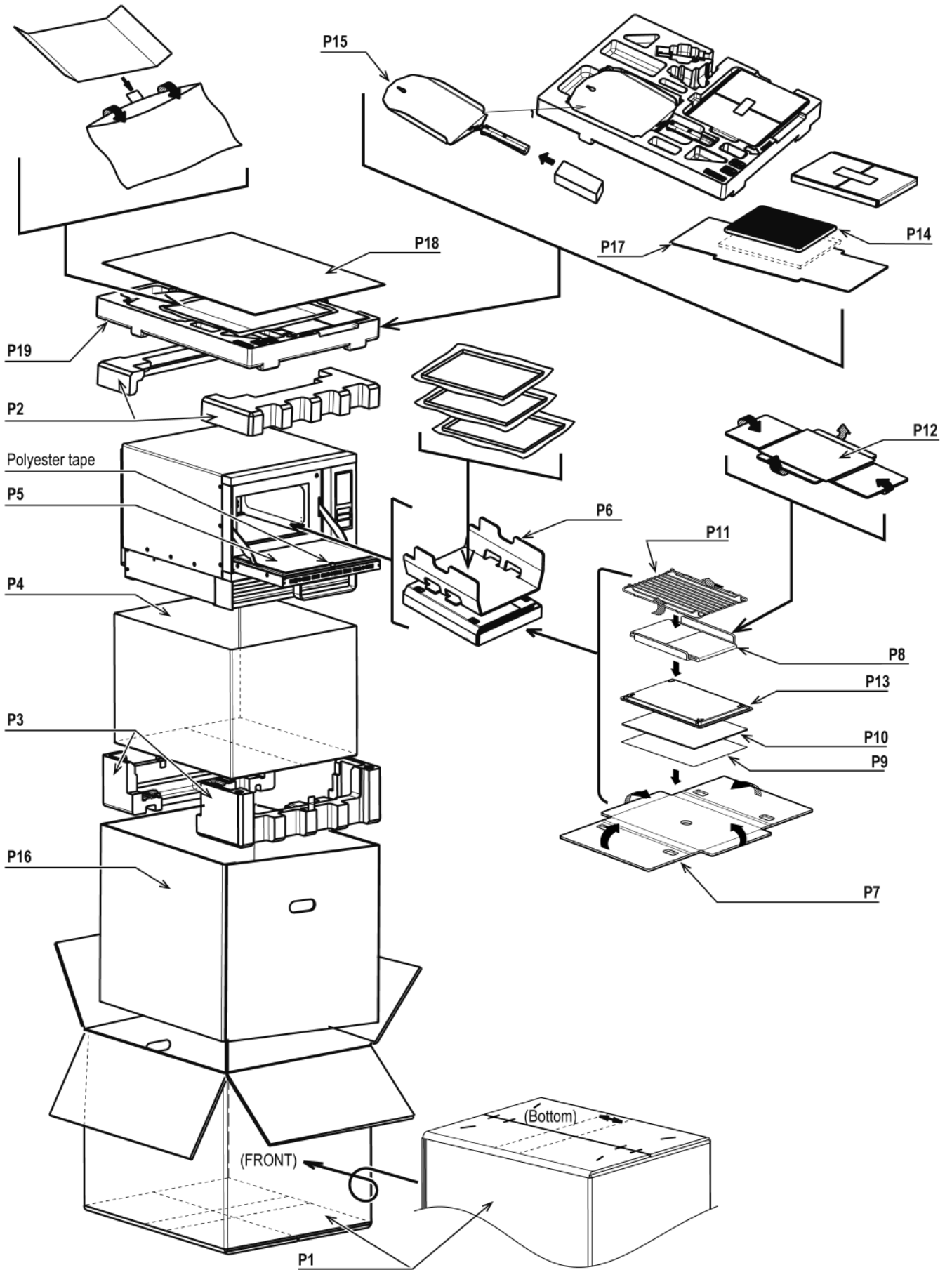
| Safety | Ref. No. | Part No. | Part Name & Description | Pcs/set | Remarks |
|--------|----------|--------------|-------------------------|---------|---------|
| | T1 | A605Q3G80BP | DISPLAY BOARD | 1 | |
| | T2 | A608T-3G60 | PCB, SD SLOT | 1 | |
| | T3 | A800L3G60WT | OPERATION PANEL U | 1 | |
| | T4 | A8058-3G60 | ESCUTCHEON | 1 | |
| | T5 | A8030-3G60 | COVER, SD | 1 | |
| | T6 | A4091-3G60 | SCREW, M4 | 1 | |
| | T7 | A4892-3G60 | NUT M4 | 7 | |
| | T8 | A6408-3280 | WASHER | 1 | |
| | T9 | RPSDFC51CS15 | MEMORY CARD | 1 | |

WIRING MATERIAL

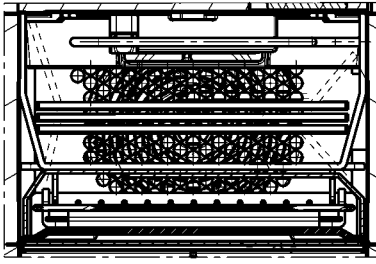


| Safety | Ref. No. | Part No. | Part Name & Description | Pcs/set | Remarks |
|--------|----------|--------------|-------------------------|---------|---------|
| ⚠ | L1 | A030A3G80BP | LEAD WIRE HARNESS AU | 1 | |
| ⚠ | L2 | A030E3G60WT | LEAD WIRE U | 2 | |
| ⚠ | L3 | A030F-3G60 | LEAD WIRE HARNESS BU | 1 | |
| ⚠ | L4 | A030H-3G60 | LEAD WIRE HARNESS CU | 1 | |
| | L5 | A0305-3G60 | LEAD WIRE A | 1 | |
| | L6 | A031F-3G60 | LEAD WIRE HARNESS DU | 1 | |
| | L7 | A031H-3G60 | LEAD WIRE HARNESS FU | 1 | |
| | L8 | A031K-3G60 | LEAD WIRE HARNESS GU | 1 | |
| | L9 | A031L-3G60 | LEAD WIRE HARNESS HU | 1 | |
| | L10 | A031M-3G60 | LEAD WIRE HARNESS IU | 1 | |
| | L11 | A031N-3G60 | LEAD WIRE HARNESS JU | 1 | |
| | L12 | A031P3G80BP | LEAD WIRE HARNESS KU | 1 | |
| | L13 | A6544-3G60 | SPACER A | 6 | |
| | L14 | A6545-3G60 | SPACER B | 2 | |
| | L15 | ANE9108X70AP | LEAD WIRE HOLDER K | 1 | |
| | L16 | ANE9072-400 | LEAD WIRE HOLDER C | 1 | |
| | L17 | ANE9073-900 | LEAD WIRE HOLDER D | 8 | |

PACKING AND ACCESSORIES

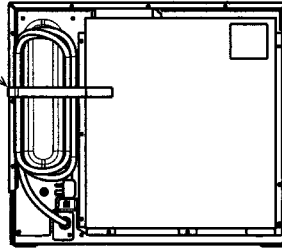


Inside of oven cavity

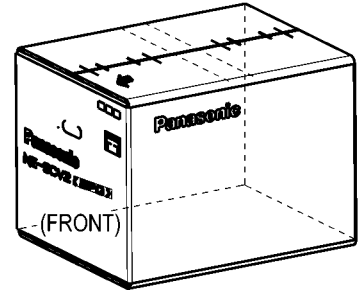


Fixing method for cable

PP Tape



Complete packaging view



| Safety | Ref. No. | Part No. | Part Name & Description | Pcs/set | Remarks |
|--------|----------|-------------|-------------------------|---------|---------|
| | P1 | A01023G80BP | PACKING CASE PAPER | 1 | |
| | P2 | A0104-3G60 | UPPER FILLER | 1 | |
| | P3 | A0105-3G60 | LOWER FILLER | 1 | |
| | P4 | A01063040AP | VINYL COVER | 1 | |
| | P5 | A0107-3G60 | DOOR SHEET | 1 | |
| | P6 | A00183G80BP | TRAY PACKING | 1 | |
| | P7 | A0117-3G60 | TRAY PACKING B | 1 | |
| | P8 | A0227-3G90 | TRAY PACKING | 1 | |
| | P9 | A04203G80BP | OPERATION GUIDE SHEET | 1 | |
| △ | P10 | A05063G80BP | INSTRUCTION BOOK | 1 | |
| | P11 | A0602-3G90 | BAKING RACK | 1 | |
| | P12 | A0749-3G80 | CERAMIC PLATE | 1 | |
| | P13 | A4542-3G60 | TRAY | 1 | |
| | P14 | A45473G80BP | RIBBED PLATE | 1 | |
| | P15 | A011H3G81BP | PADDLE | 1 | |
| | P16 | A01033G80BP | INNER PACKING BOX | 1 | |
| | P17 | A02283G80BP | PLATE PACKING B | 1 | |
| | P18 | A01263G80BP | UPPER PACKING | 1 | |
| | P19 | A01143G80BP | UPPER FILLER B | 1 | |

| Safety | Ref. No. | Part No. | Part Name & Description | Pcs/set | Remarks |
|--------|----------|-------------|-------------------------|---------|---------|
| | | A11343G80BP | FOOT BRACKET | 1 | |
| △ | | A0005-2601 | EARTH LABEL | 1 | |
| △ | | A02673G80BP | SERVICE NOTICE | 1 | |
| | | A00064080BP | CAUTION LABEL | 1 | |
| △ | | A01573G80BP | NAME PLATE | 1 | |

| Safety | Ref. No. | Part No. | Part Name & Description | Pcs/set | Remarks |
|--------|----------|--------------|-------------------------|---------|---------|
| | X1 | XTW3+6BJ | SCREW | 8 | |
| | X2 | XTNA3+10GJ | SCREW | 2 | |
| | X3 | XTW3+10BJ | SCREW | 24 | |
| | X4 | XTW3+10QJ | SCREW | 15 | |
| | X5 | XTW3+20QJ | SCREW | 2 | |
| | X6 | XTS3+8FXR | SCREW | 2 | |
| | X8 | XTWANE3+8EX | SCREW | 2 | |
| | X9 | XYNA35+C7US | SCREW | 4 | |
| | X10 | XST4+6FN | SCREW | 4 | |
| | X11 | XTT4+8RDN | SCREW | 146 | |
| | X12 | XTTANE4+8SX | SCREW | 29 | |
| | X13 | XTW4+8TJ | SCREW | 2 | |
| | X14 | XTWA4+8SJ | SCREW | 22 | |
| | X15 | XTWANE4+8BN | SCREW | 4 | |
| | X16 | XYF4+AF8J | SCREW | 4 | |
| | X17 | XSS4+10UM | SCREW | 7 | |
| | X18 | XTC4+10BC | SCREW | 12 | |
| | X19 | XTS4+10JJ | SCREW | 8 | |
| | X21 | XTTANE4+12BN | SCREW | 49 | |
| | X22 | XTTANE4+12SX | SCREW | 3 | |
| | X23 | XTW4+12TJ | SCREW | 4 | |
| | X24 | XTWANE4+12DN | SCREW | 9 | |
| | X25 | XYD4+EEL2FJ | SCREW | 4 | |
| | X26 | XTW4+16QJ | SCREW | 4 | |
| | X27 | XYN4+F18SJ | SCREW | 8 | |
| | X28 | XNW4EFN | NUT | 5 | |
| | X29 | XTWANE4+10BN | SCREW | 2 | |